

## ROHM Solution Simulator

# Method for Exporting Circuit Data

The circuit diagrams provided with the ROHM Solution Simulator cannot be edited. In addition, only specified sections of the component properties can be changed. To change these items as desired, it is necessary to use PartQuest™ Explore. This application note explains how to export the circuit data from the ROHM Solution Simulator to PartQuest™ Explore.

### Flow of the circuit data export

Table 1 shows a comparison of the ROHM Solution Simulator and PartQuest™ Explore. They share the operation environment and the basic simulator. The differences are whether or not the ROHM application circuits are provided and whether or not the circuit diagrams can be modified.

Item	ROHM Solution Simulator	PartQuest™ Explore
Operation environment	Web browser	Web browser
Simulator	PartQuest™ Explore	PartQuest™ Explore
ROHM application circuits	Provided	Not provided
Editing of circuit diagrams	Not allowed	Allowed
Modification of component properties	Allowed for some items	Allowed

Table 1. Comparison of ROHM Solution Simulator and PartQuest™ Explore

The flow of performing advanced simulations is shown below (Figure 1).

Step 1. Select a simulation circuit from the ROHM Website and start the ROHM Solution Simulator.



Step 2. Export the circuit data to PartQuest™ Explore.



Step 3. In PartQuest™ Explore, modify the circuit diagram and perform simulations.

The detailed procedures are explained in the following pages.

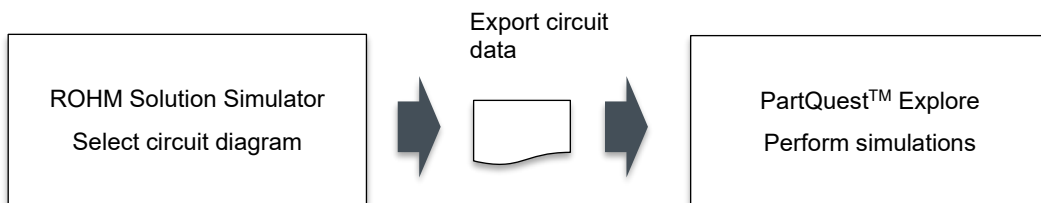


Figure 1. Export the circuit data from the ROHM Solution Simulator to PartQuest™ Explore and perform simulations.

## Step 1

1. Select a circuit diagram from the ROHM Solution Simulator page on the ROHM Website (Figure 2).
2. Click the “Simulation” button to start the simulator on the Web browser (Figure 3).

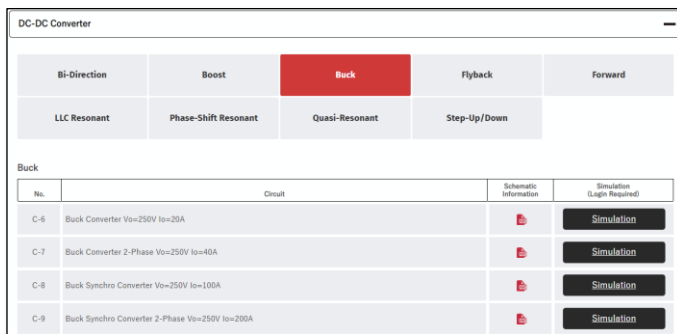


Figure 2. Select a circuit diagram from the ROHM Solution Simulator page on the ROHM Website.

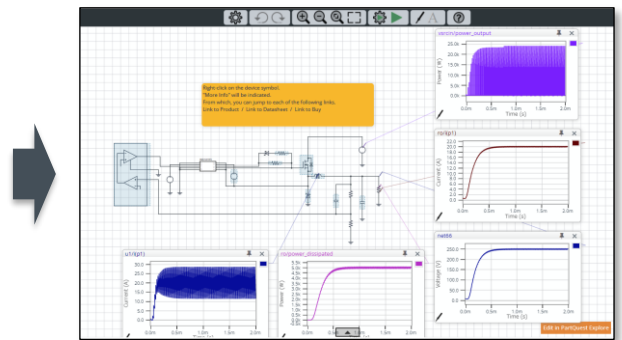


Figure 3. A simulator is started on the Web browser.

## Step 2

1. Click “Edit in PartQuest Explore” on the lower right of the circuit diagram to automatically export the circuit data to PartQuest™ Explore (Figure 4).

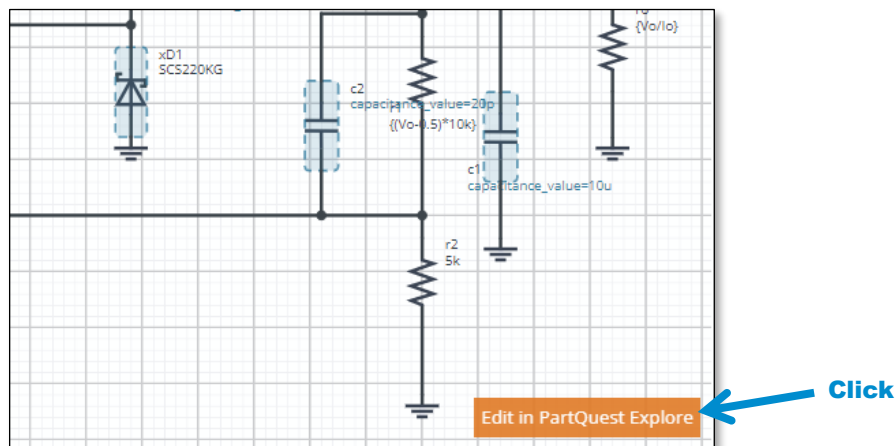


Figure 4. Clicking “Edit in PartQuest Explore” on the lower right of the circuit diagram automatically exports the circuit data to PartQuest™ Explore.

2. A new Web browser window is opened and the exported circuit diagram is displayed in PartQuest™ Explore (Figure 5).
3. If you do not save the circuit diagram, PartQuest™ Explore can be used as it is.
4. To save the circuit diagram, click the “Login” button on the upper right. If you do not have an account, sign up as a user.

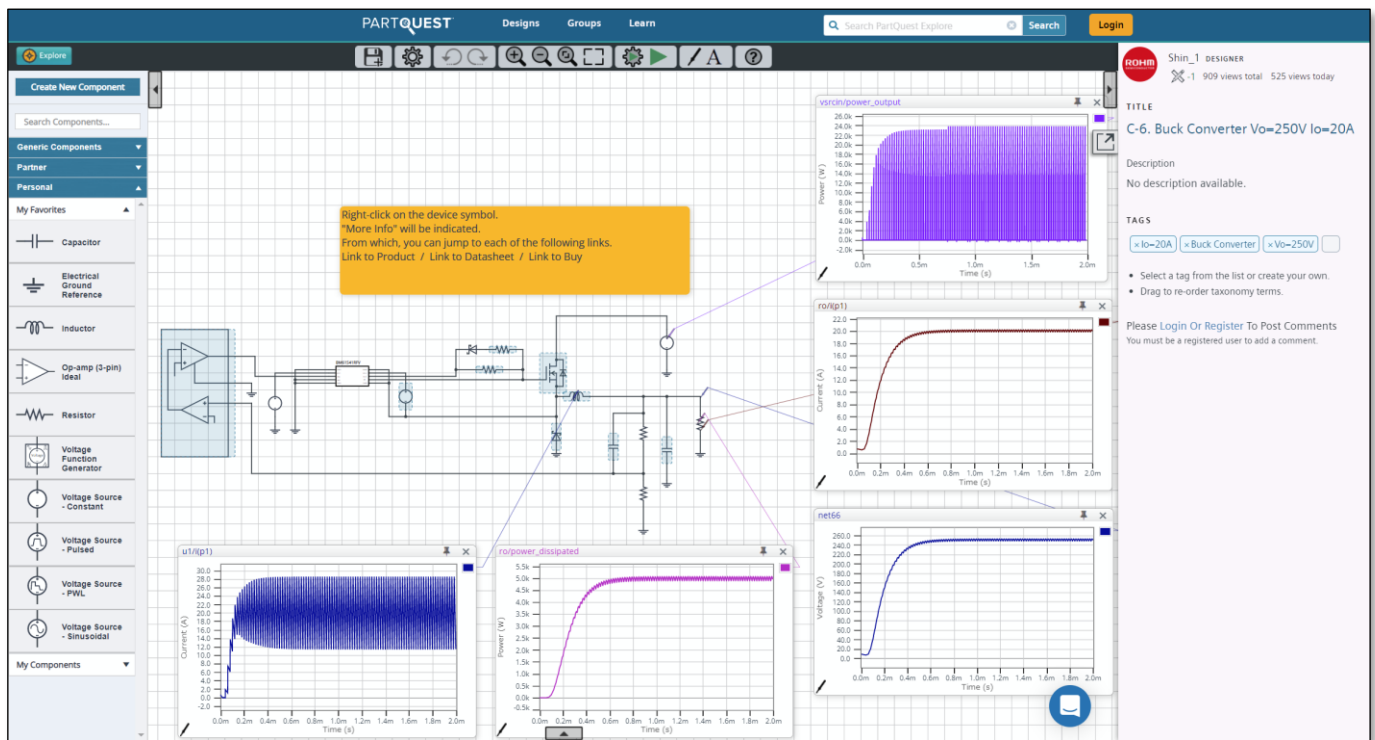


Figure 5. The exported circuit diagram is displayed in PartQuest™ Explore.

### Step 3

1. Now the circuit diagram can be edited as desired. Modify the circuit diagram as desired and perform relevant simulations.
2. To use the saved circuit diagram for simulations in the future, log in to PartQuest™ Explore, instead of the ROHM Solution Simulator, and open the circuit diagram.

PartQuest™ Explore → <https://explore.partquest.com/>

## Notes

- 1) The information contained herein is subject to change without notice.
- 2) Before you use our Products, please contact our sales representative and verify the latest specifications :
- 3) Although ROHM is continuously working to improve product reliability and quality, semiconductors can break down and malfunction due to various factors.  
Therefore, in order to prevent personal injury or fire arising from failure, please take safety measures such as complying with the derating characteristics, implementing redundant and fire prevention designs, and utilizing backups and fail-safe procedures. ROHM shall have no responsibility for any damages arising out of the use of our Products beyond the rating specified by ROHM.
- 4) Examples of application circuits, circuit constants and any other information contained herein are provided only to illustrate the standard usage and operations of the Products. The peripheral conditions must be taken into account when designing circuits for mass production.
- 5) The technical information specified herein is intended only to show the typical functions of and examples of application circuits for the Products. ROHM does not grant you, explicitly or implicitly, any license to use or exercise intellectual property or other rights held by ROHM or any other parties. ROHM shall have no responsibility whatsoever for any dispute arising out of the use of such technical information.
- 6) The Products specified in this document are not designed to be radiation tolerant.
- 7) For use of our Products in applications requiring a high degree of reliability (as exemplified below), please contact and consult with a ROHM representative : transportation equipment (i.e. cars, ships, trains), primary communication equipment, traffic lights, fire/crime prevention, safety equipment, medical systems, servers, solar cells, and power transmission systems.
- 8) Do not use our Products in applications requiring extremely high reliability, such as aerospace equipment, nuclear power control systems, and submarine repeaters.
- 9) ROHM shall have no responsibility for any damages or injury arising from non-compliance with the recommended usage conditions and specifications contained herein.
- 10) ROHM has used reasonable care to ensure the accuracy of the information contained in this document. However, ROHM does not warrants that such information is error-free, and ROHM shall have no responsibility for any damages arising from any inaccuracy or misprint of such information.
- 11) Please use the Products in accordance with any applicable environmental laws and regulations, such as the RoHS Directive. For more details, including RoHS compatibility, please contact a ROHM sales office. ROHM shall have no responsibility for any damages or losses resulting non-compliance with any applicable laws or regulations.
- 12) When providing our Products and technologies contained in this document to other countries, you must abide by the procedures and provisions stipulated in all applicable export laws and regulations, including without limitation the US Export Administration Regulations and the Foreign Exchange and Foreign Trade Act.
- 13) This document, in part or in whole, may not be reprinted or reproduced without prior consent of ROHM.



Thank you for your accessing to ROHM product informations.  
More detail product informations and catalogs are available, please contact us.

## ROHM Customer Support System

<http://www.rohm.com/contact/>