

Secondary Side Synchronous Rectification Controller IC Series

BM1R00147F Evaluation Board

BM1R00147F-EVK-001 (High Side Type)

This evaluation board has provided the secondary-side synchronous rectification circuit using BM1R00147F. This evaluation board assumes that the primary side controller of insulated type with PWM flyback converter operates in DCM and set to 5V for output voltage. The secondary-side MOSFET uses ROHM's RX1L16BGN. The secondary-side MOSFET can be located on High Side. (When the secondary-side MOSFET is located on Low Side, see "User's Guide BM1R00147F-EVK-002 (No.60UG023E)".)

Performance specification

These are representative values, and it is not a guaranteed against the characteristics.

Parameter	Min	Typ	Max	Units	Conditions
Output Voltage		5		V	
Output Current			10	A	
MOSFET for secondary side synchronous rectification Drain – Source Voltage			60	V	M2=RX1L16BGN (ROHM)

Evaluation Board

PCB size : 25mm×35mm×1.6mm



Figure 1. BM1R00147F-EVK-001 Evaluation Board

Top View



Figure 2. BM1R00147F-EVK-001 Evaluation Board

Bottom View

Operation Procedures

1. Necessary equipments

- (1) Insulated type with PWM flyback converter (DCM operation)
 - VOUT 5 V
 - IOUT Maximum load is 10A or smaller
- (2) Maximum 10A load
- (3) DC voltmeter
- (4) Oscilloscope

2. Connecting the evaluation board to flyback converter

< Synchronous rectification circuit >

- (1) The reverse voltage V_R is generated in the rectifying diode DOUT should be checked before replacement. Absolute maximum rating of the DRAIN – SOURCE voltage of the ROHM's MOSFET "RX1L16BGN" is 60 V ($T_a=25^\circ\text{C}$). Check that the voltage applied to the DRAIN – SOURCE does not exceed the absolute maximum rating.

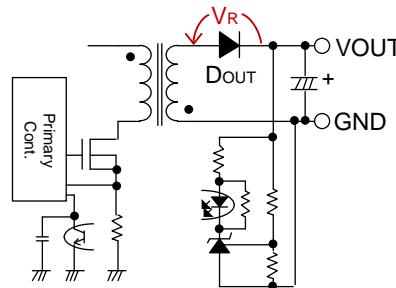


Figure 3. Connecting the Evaluation Board (1)

- (2) Remove the secondary-side rectifying diode.

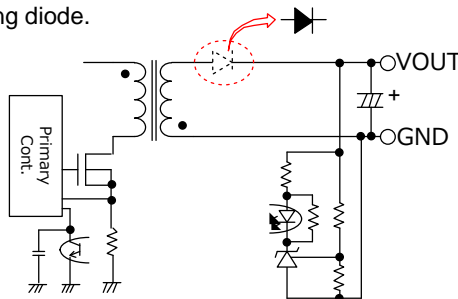


Figure 4. Connecting the Evaluation Board (2)

- (3) Connect SOURCE to terminal A and DRAIN to terminal B.

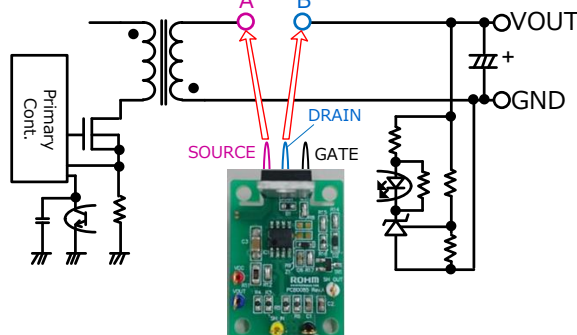


Figure 5. Connecting the Evaluation Board (3)

< Shunt regulator circuit >

(4) Remove the shunt regulator and the resistor for output voltage setting.

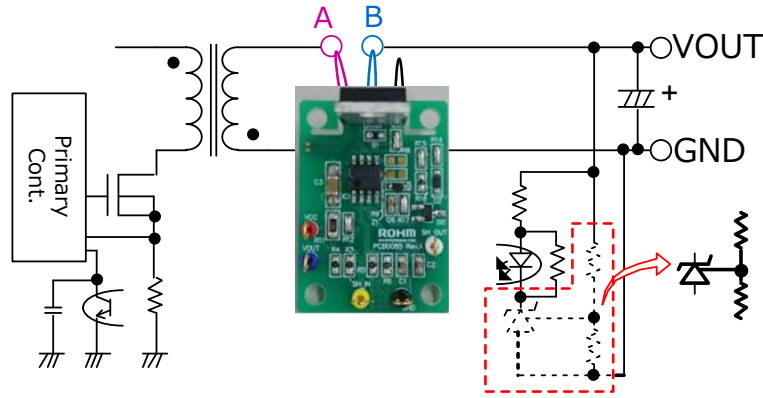


Figure 6. Connecting the Evaluation Board (4)

(5) Connect SH_OUT terminal to terminal C, VOUT terminal to terminal D and GND terminal to terminal E.

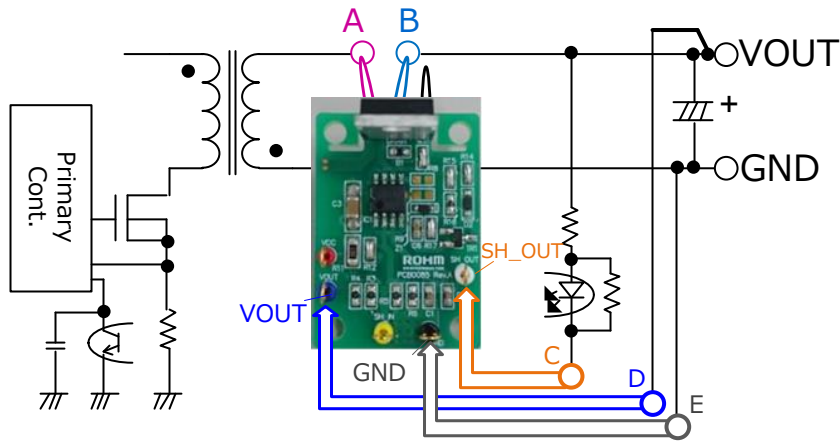


Figure 7. Connecting the Evaluation Board (5)

[Reference] When the IC's built-in shunt regulator is not used

VOUT terminal, SH_OUT terminal and GND terminal should be open.

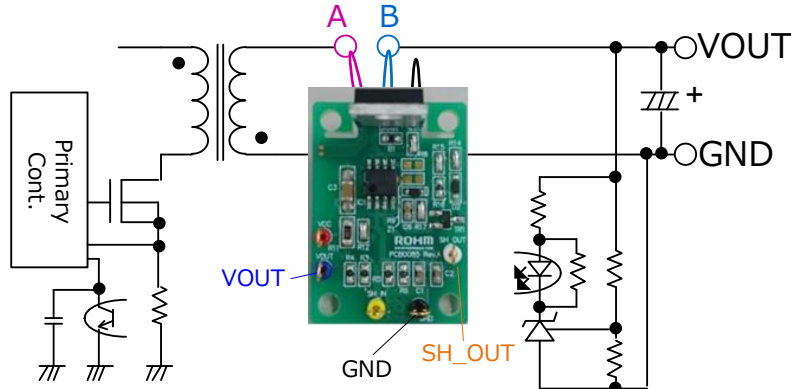


Figure 8. When the IC's built-in Shunt Regulator is not used

[Reference] IC's built-in shunt regulator

IC's built-in shunt regulator can be used in the protection circuit. (For example, the overvoltage protection circuit.)

3. Check the operation

- (1) Connect load's and DC voltmeter positive-terminals to VOUT+ terminal and negative-terminals to GND-terminal.
(The load should be set at 10A and lower. It is disabled.)
- (2) Power of flyback converter is supplied.
- (3) Check DC voltmeter displays 5V.
- (4) The load is enabled. Check DC voltmeter displays and the waveform V_{DS2} , V_{GS2} and I_{FET2} with oscilloscope.

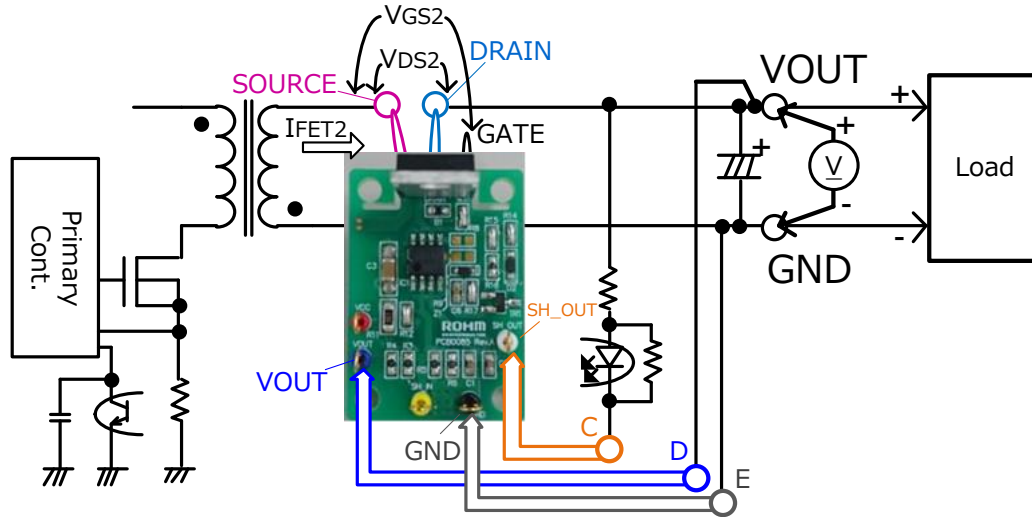


Figure 9. Connection Diagram

Notes

- Because of a noise generated by DRAIN pin voltage, the secondary-side MOSFET may be turned OFF as shown in Figure 11. In this case, adjust the circuit of evaluation board. For the method to adjust, see “BM1R001xxF series Application Note (No.60AN020E)”.

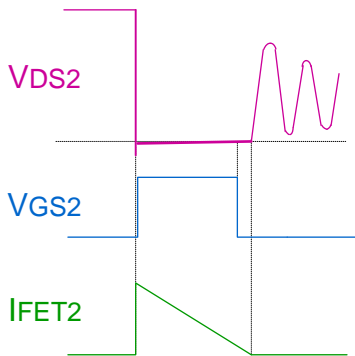


Figure 10. Waveform at normal operation

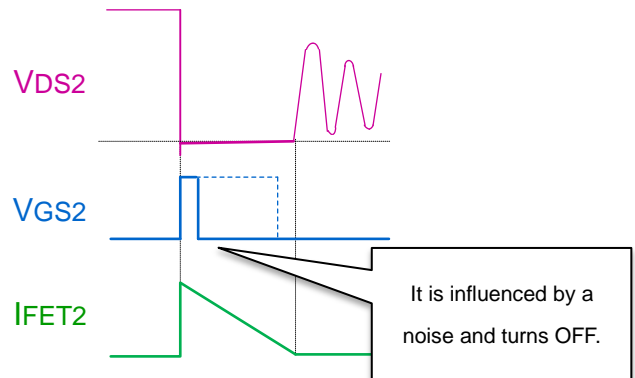


Figure 11. Waveform at abnormal operation

- This evaluation board assumes that the primary side controller operates in DCM. When the primary side controller operates in CCM, it becomes possible to prevent the simultaneous ON operation of the primary side and the secondary side in continuous mode by adjusting the circuit of evaluation board. For the method to adjust, see “BM1R001xxF series Application Note (No.60AN020E)”.

Bill of Materials

Symbol	Qty.	Type	Value	Rating	Part Number	Manufacturer
C1	1	Capacitor	220pF	50V	GRM188R71H221KA01D	MURATA
C2	1	Capacitor	1000pF	50V	GRM188R71H102KA01D	MURATA
C3	1	Capacitor	10uF	50V	GRM31CB31H106KA12L	MURATA
C4	0	Capacitor	OPEN	-	-	-
C5	1	Capacitor	2200pF	250V	GRM21AR72E222KW01D	MURATA
C6	1	Capacitor	1uF	25V	GRM188R71E105KA12D	MURATA
D1	1	Diode	-	40V / 30mA	RB751VM-40	ROHM
D2	1	Diode	-	80V / 100mA	1SS355VM	ROHM
Z1	1	Zener Diode	-	6.8V	UDZVTE-176.8B	ROHM
B1	1	Ferrite Bead	-	1kΩ / 0.8A	MPZ1608S102AT	TDK
TR1	1	MOSFET	-	60V / 0.25A	RK7002BM	ROHM
M2	1	MOSFET	-	60V	RX1L16BGN	ROHM
R1	1	Resistor	1kΩ	1/10W	MCR03EZPFX1001	ROHM
R2	1	Resistor	270Ω	1/10W	MCR03EZPFX2700	ROHM
R3	1	Resistor	150kΩ	1/10W	MCR03EZPD1503	ROHM
R4	1	Resistor	270kΩ	1/10W	MCR03EZPD2703	ROHM
R5	1	Resistor	160kΩ	1/10W	MCR03EZPD1603	ROHM
R6	1	Resistor	160kΩ	1/10W	MCR03EZPD1603	ROHM
R7	0	Resistor	SHORT	-	-	-
R8	0	Resistor	OPEN	-	-	-
R9	0	Resistor	OPEN	-	-	-
R10	0	Resistor	OPEN	-	-	-
R11	1	Resistor	10Ω	1/4W	MCR18EZPF10R0	ROHM
R12	0	Resistor	SHORT	-	-	-
R13	1	Resistor	10Ω	1/2W	ESR25JZPF10R0	ROHM
R14	0	Resistor	SHORT	-	-	-
R15	0	Resistor	SHORT	-	-	-
R16	1	Resistor	330kΩ	1/10W	MCR03EZPFX3303	ROHM
R17	0	Resistor	SHORT	-	-	-
U1	1	IC	-	-	BM1R00147F	ROHM

Layout

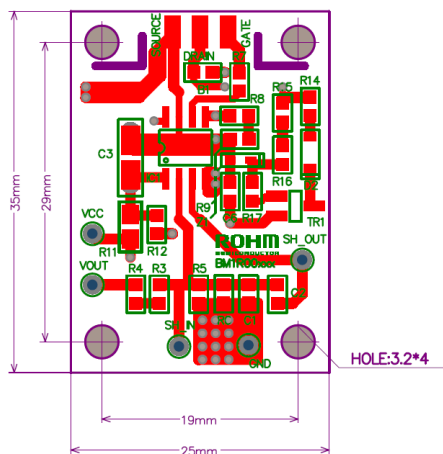


Figure 13. BM1R00147F-EVK-001 Layout

Top View

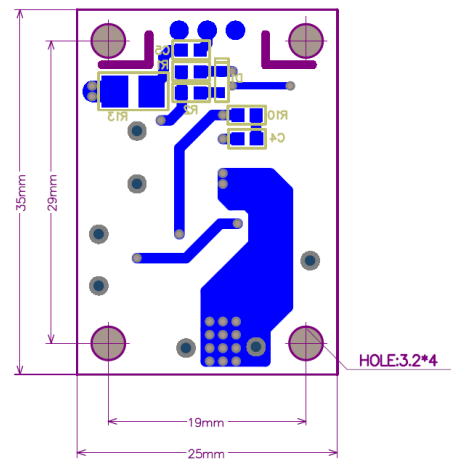


Figure 14. BM1R00147F-EVK-001 Layout

Bottom View

Notes

- 1) The information contained herein is subject to change without notice.
- 2) Before you use our Products, please contact our sales representative and verify the latest specifications :
- 3) Although ROHM is continuously working to improve product reliability and quality, semiconductors can break down and malfunction due to various factors.
Therefore, in order to prevent personal injury or fire arising from failure, please take safety measures such as complying with the derating characteristics, implementing redundant and fire prevention designs, and utilizing backups and fail-safe procedures. ROHM shall have no responsibility for any damages arising out of the use of our Products beyond the rating specified by ROHM.
- 4) Examples of application circuits, circuit constants and any other information contained herein are provided only to illustrate the standard usage and operations of the Products. The peripheral conditions must be taken into account when designing circuits for mass production.
- 5) The technical information specified herein is intended only to show the typical functions of and examples of application circuits for the Products. ROHM does not grant you, explicitly or implicitly, any license to use or exercise intellectual property or other rights held by ROHM or any other parties. ROHM shall have no responsibility whatsoever for any dispute arising out of the use of such technical information.
- 6) The Products specified in this document are not designed to be radiation tolerant.
- 7) For use of our Products in applications requiring a high degree of reliability (as exemplified below), please contact and consult with a ROHM representative : transportation equipment (i.e. cars, ships, trains), primary communication equipment, traffic lights, fire/crime prevention, safety equipment, medical systems, servers, solar cells, and power transmission systems.
- 8) Do not use our Products in applications requiring extremely high reliability, such as aerospace equipment, nuclear power control systems, and submarine repeaters.
- 9) ROHM shall have no responsibility for any damages or injury arising from non-compliance with the recommended usage conditions and specifications contained herein.
- 10) ROHM has used reasonable care to ensure the accuracy of the information contained in this document. However, ROHM does not warrants that such information is error-free, and ROHM shall have no responsibility for any damages arising from any inaccuracy or misprint of such information.
- 11) Please use the Products in accordance with any applicable environmental laws and regulations, such as the RoHS Directive. For more details, including RoHS compatibility, please contact a ROHM sales office. ROHM shall have no responsibility for any damages or losses resulting non-compliance with any applicable laws or regulations.
- 12) When providing our Products and technologies contained in this document to other countries, you must abide by the procedures and provisions stipulated in all applicable export laws and regulations, including without limitation the US Export Administration Regulations and the Foreign Exchange and Foreign Trade Act.
- 13) This document, in part or in whole, may not be reprinted or reproduced without prior consent of ROHM.



Thank you for your accessing to ROHM product informations.
More detail product informations and catalogs are available, please contact us.

ROHM Customer Support System

<http://www.rohm.com/contact/>