

Two-Resistor Thermal Model Report

2.7V to 5.5V Input, 3A Integrated MOSFET Single Synchronous Buck DC/DC Converter For Automotive - BD9S300MUF-C

In this report, thermal characteristics that can be confirmed by the thermal simulation using the Two-Resistor Thermal Model of a synchronous buck DC/DC Converter IC BD9S300MUF-C is described. This document conforms to the definitions of terms in JESD51-13 Glossary of Thermal Measurement Terms and Definitions.

Components of BD9S300MUF-C Two-Resistor Thermal Model

BD9S300MUF-C Two-Resistor Thermal Model is shown in Table 1.

Table 1. The Value of Two-Resistor Thermal Model

Item	Unit	Value
θ_{JC_TOP}	°C/W	54.4
θ_{JB}	°C/W	28.8

Two-Resistor Thermal Model

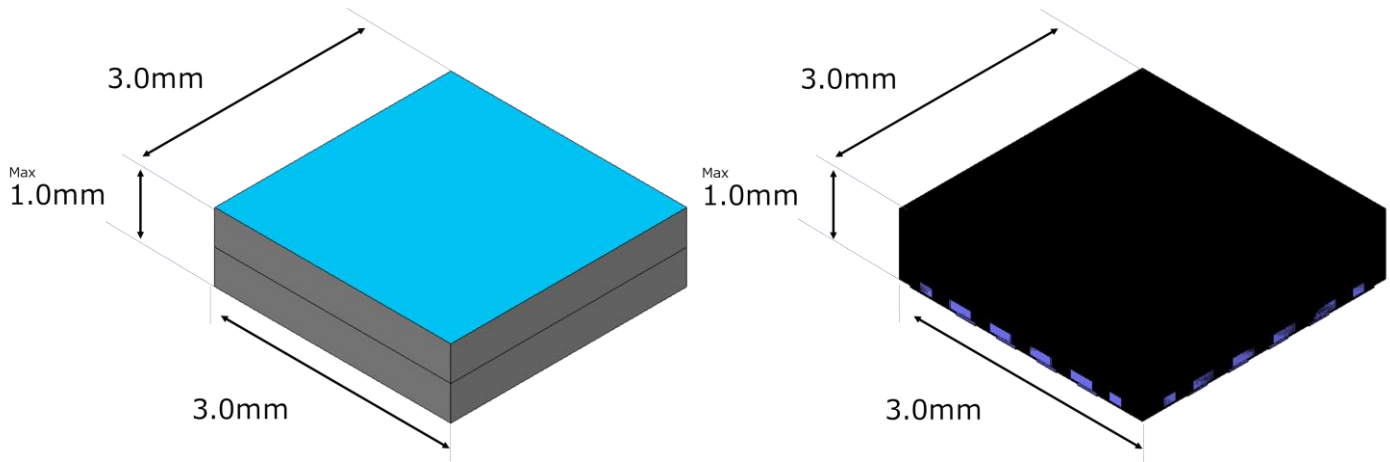


Figure 1. BD9S300MUF-C Two-Resistor Thermal Model

In the CAE software environment, Two-Resistor Thermal Model is represented as the same size as the size of LSI package, as shown in Figure 1.

The physical arrangement of the Two-Resistor Thermal model consists of three nodes, as shown in Figure 2. The package contains a single integrated circuit and the temperature is represented by a single node. The thermal flow paths are represented using a thermal resistance network. Junction Node represents the heat source of the chip, Case Node represents the top surface of the package, and Board Node represents the board temperature at 1 mm from the edge of the device, respectively. Between the junction and the case and between the junction and the board are connected by two thermal resistances.

These thermal resistance values are derived from measurements based on the JEDEC Standard. If measured values are not available, they are extracted from a validated, detailed simulation model that simulates the measurement environment.

Extraction from the detailed model is done using a 3D thermal fluid analysis tool such as Simcenter Flotherm™*1.

For more detail about Two-Resistor Thermal Model, please refer to application note*2.

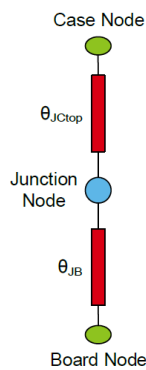


Figure 2. Physical arrangement of Two-Resistor Thermal Model

*1: Simcenter Flotherm™ is a trademark of Siemens Industry Software Inc.

*2: <https://www.rohm.com/search/application-notes> Document title: "Two-Resistor Model for Thermal Simulation"

Notes

- 1) The information contained herein is subject to change without notice.
- 2) Before you use our Products, please contact our sales representative and verify the latest specifications :
- 3) Although ROHM is continuously working to improve product reliability and quality, semiconductors can break down and malfunction due to various factors.
Therefore, in order to prevent personal injury or fire arising from failure, please take safety measures such as complying with the derating characteristics, implementing redundant and fire prevention designs, and utilizing backups and fail-safe procedures. ROHM shall have no responsibility for any damages arising out of the use of our Products beyond the rating specified by ROHM.
- 4) Examples of application circuits, circuit constants and any other information contained herein are provided only to illustrate the standard usage and operations of the Products. The peripheral conditions must be taken into account when designing circuits for mass production.
- 5) The technical information specified herein is intended only to show the typical functions of and examples of application circuits for the Products. ROHM does not grant you, explicitly or implicitly, any license to use or exercise intellectual property or other rights held by ROHM or any other parties. ROHM shall have no responsibility whatsoever for any dispute arising out of the use of such technical information.
- 6) The Products specified in this document are not designed to be radiation tolerant.
- 7) For use of our Products in applications requiring a high degree of reliability (as exemplified below), please contact and consult with a ROHM representative : transportation equipment (i.e. cars, ships, trains), primary communication equipment, traffic lights, fire/crime prevention, safety equipment, medical systems, servers, solar cells, and power transmission systems.
- 8) Do not use our Products in applications requiring extremely high reliability, such as aerospace equipment, nuclear power control systems, and submarine repeaters.
- 9) ROHM shall have no responsibility for any damages or injury arising from non-compliance with the recommended usage conditions and specifications contained herein.
- 10) ROHM has used reasonable care to ensure the accuracy of the information contained in this document. However, ROHM does not warrants that such information is error-free, and ROHM shall have no responsibility for any damages arising from any inaccuracy or misprint of such information.
- 11) Please use the Products in accordance with any applicable environmental laws and regulations, such as the RoHS Directive. For more details, including RoHS compatibility, please contact a ROHM sales office. ROHM shall have no responsibility for any damages or losses resulting non-compliance with any applicable laws or regulations.
- 12) When providing our Products and technologies contained in this document to other countries, you must abide by the procedures and provisions stipulated in all applicable export laws and regulations, including without limitation the US Export Administration Regulations and the Foreign Exchange and Foreign Trade Act.
- 13) This document, in part or in whole, may not be reprinted or reproduced without prior consent of ROHM.



Thank you for your accessing to ROHM product informations.
More detail product informations and catalogs are available, please contact us.

ROHM Customer Support System

<http://www.rohm.com/contact/>