

Current Sense Amplifier

BD1422xG-EVK-001 (x:0,1,2)

BD1422xG-EVK-001 is an evaluation board for BD1422xG-LA, which is ROHM's current sense amplifier.

This user's guide explains BD1422xG-EVK-001.

About BD1422xG-C (x:0,1,2)

BD1422xG-C is a current sense amplifier. BD1422xG-C has wide common mode voltage range from -14V to 40V. It measures voltage drops across shunt resistor and outputs analog voltage. Gain is 25 V/V, 50 V/V, 100V/V. The BD1422xG-C key features are:

- Wide Common Mode Voltage Range
- High Accuracy
- Low Offset Voltage
- Low Input Bias Current

For more detailed information about the BD1422xG-C, refer to the datasheet.

About BD1422xG-EVK-001

1. Board Information

- Size : 74mm x 44mm x 1.6mm
- Number of Layers : 2
- Material : FR-4 (~125°C)
- Copper Thickness : 2oz (70μm)

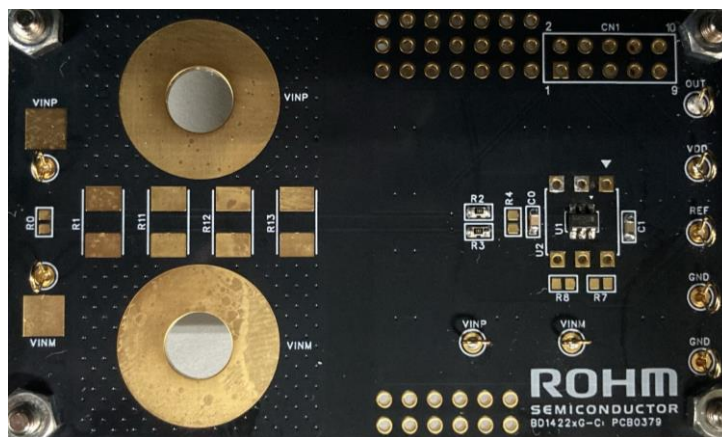


Figure 1. Pictures of BD1422xG-EVK-001

2. Schematic Diagram

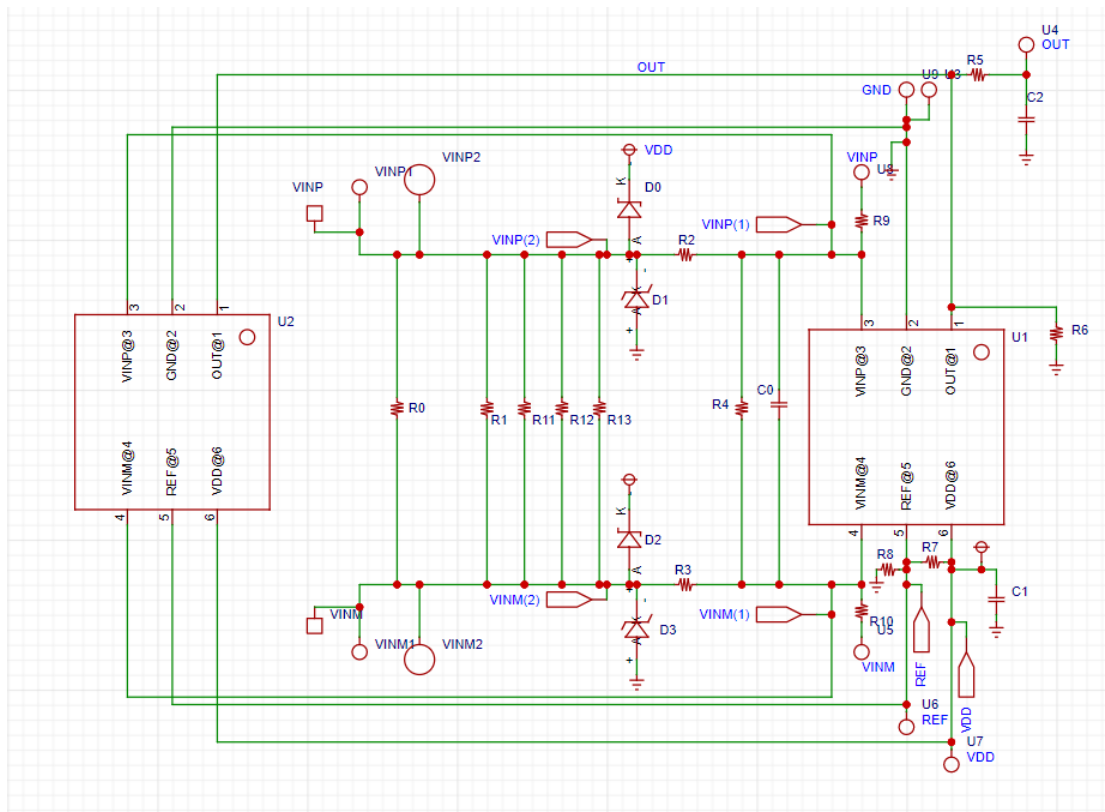


Figure 2. Schematic Diagram of BD1422xG-EVK-001

3. Bill of Materials

Table 1. Bill of Materials of BD1422xG-EVK-001

Part	Part Type	Manufacturer	Value	Size/Package	Description
U2	BD1422xG-C X:0,1,2	ROHM Co., Ltd.	-	SSOP6	Current Sense Amplifier
C0	GRM033R71A103KA01D	Murata Manufacturing Co., Ltd.	0.01uF	1608(0603)	Capacitor
C1	GCM188L81H104KA57D	-	0.1uF	1608(0603)	Capacitor
C2	GRM188R71C102KA01D	-	0.001uF	1608(0603)	Capacitor
R2,R3	ESR03EZPF2000	ROHM Co., Ltd.	200Ω	1608(0603)	Resistor
R5	ESR03EZPJ512	-	5.1kΩ	5025(2010)	Resistor
R7, R8	ESR03EZPJ102	ROHM Co., Ltd.	1kΩ	5025(2010)	Resistor
R0,R1,R11,R12, R13,R4,R9,R10	N.M.	-	-	-	Resistor
D0, D1, D2, D3	N.M.	-	-	-	Zener Diode

Note: Only the materials used in BD1422xG-EVK-001 are listed.

N.M. = Not Mounted

4. Layout (Top View)

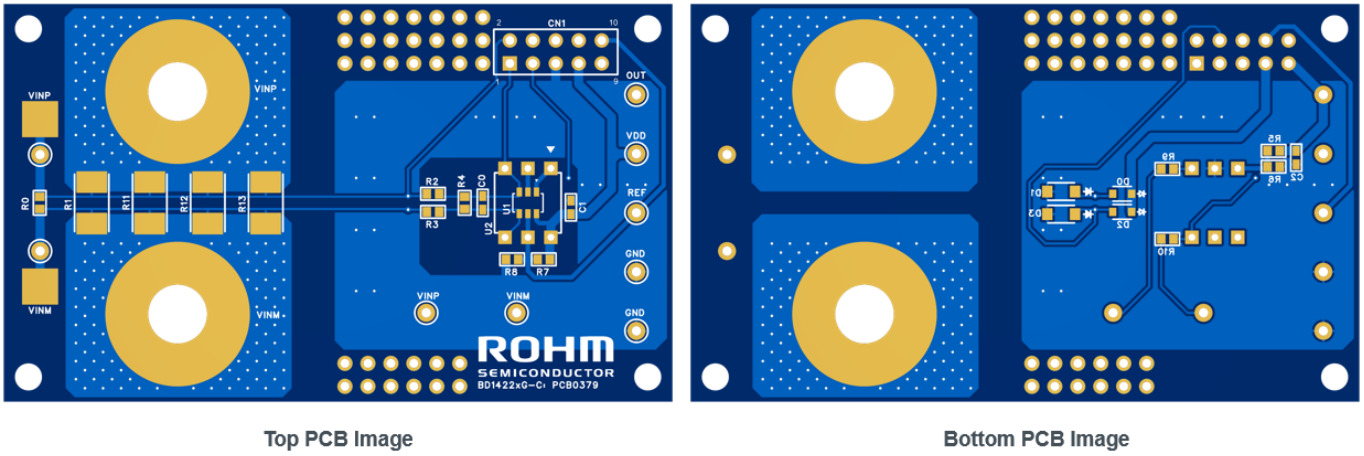


Figure 3. Layouts of BD1422xG-EVK-001

Notice

- 1) The information contained in this document is intended to introduce ROHM Group (hereafter referred to as ROHM) products. When using ROHM products, please verify the latest specifications or datasheets before use.
- 2) ROHM products are designed and manufactured for use in general electronic equipment and applications (such as Audio Visual equipment, Office Automation equipment, telecommunication equipment, home appliances, amusement devices, etc.) or specified in the datasheets. Therefore, please contact the ROHM sales representative before using ROHM products in equipment or devices requiring extremely high reliability and whose failure or malfunction may cause danger or injury to human life or body or other serious damage (such as medical equipment, transportation, traffic, aircraft, spacecraft, nuclear power controllers, fuel control, automotive equipment including car accessories, etc. hereafter referred to as Specific Applications). Unless otherwise agreed in writing by ROHM in advance, ROHM shall not be in any way responsible or liable for any damages, expenses, or losses incurred by you or third parties arising from the use of ROHM Products for Specific Applications.
- 3) Electronic components, including semiconductors, can fail or malfunction at a certain rate. Please be sure to implement, at your own responsibilities, adequate safety measures including but not limited to fail-safe design against physical injury, and damage to any property, which a failure or malfunction of products may cause.
- 4) The information contained in this document, including application circuit examples and their constants, is intended to explain the standard operation and usage of ROHM products, and is not intended to guarantee, either explicitly or implicitly, the operation of the product in the actual equipment it will be used. As a result, you are solely responsible for it, and you must exercise your own independent verification and judgment in the use of such information contained in this document. ROHM shall not be in any way responsible or liable for any damages, expenses, or losses incurred by you or third parties arising from the use of such information.
- 5) When exporting ROHM products or technologies described in this document to other countries, you must abide by the procedures and provisions stipulated in all applicable export laws and regulations, such as the Foreign Exchange and Foreign Trade Act and the US Export Administration Regulations, and follow the necessary procedures in accordance with these provisions.
- 6) The technical information and data described in this document, including typical application circuits, are examples only and are not intended to guarantee to be free from infringement of third parties intellectual property or other rights. ROHM does not grant any license, express or implied, to implement, use, or exploit any intellectual property or other rights owned or controlled by ROHM or any third parties with respect to the information contained herein.
- 7) No part of this document may be reprinted or reproduced in any form by any means without the prior written consent of ROHM.
- 8) All information contained in this document is current as of the date of publication and subject to change without notice. Before purchasing or using ROHM products, please confirm the latest information with the ROHM sales representative.
- 9) ROHM does not warrant that the information contained herein is error-free. ROHM shall not be in any way responsible or liable for any damages, expenses, or losses incurred by you or third parties resulting from errors contained in this document.



Thank you for your accessing to ROHM product informations.
More detail product informations and catalogs are available, please contact us.

ROHM Customer Support System

<https://www.rohm.com/contactus>