

ROHM Packages

Small Packages	P.112
SOP Packages	P.113
HSOP Packages	P.113
HTSOP Packages	P.113
SOP Special Packages	P.114
Non-lead Packages	P.114
Optical Non-lead Packages	P.115
MMP Packages	P.116

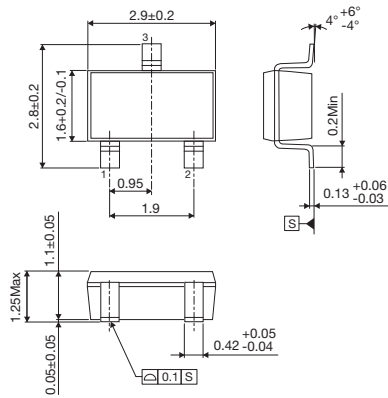
SON Packages	P.116
SON Special Packages	P.116
QFP Packages	P.117
QFN Packages	P.118
BGA Packages	P.119
WL-CSP Packages	P.120
Power Packages	P.121

Small Packages

(Unit: mm)

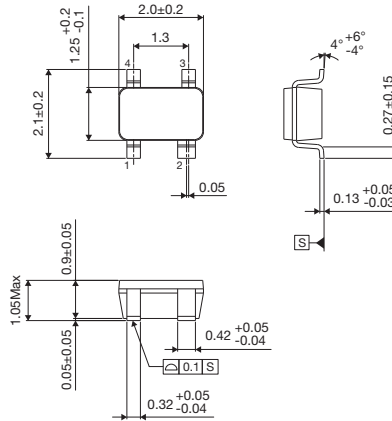
SOP Packages

SSOP3



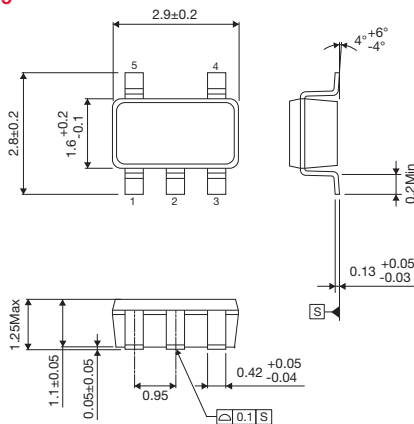
Taping: 3,000pcs

SOP4



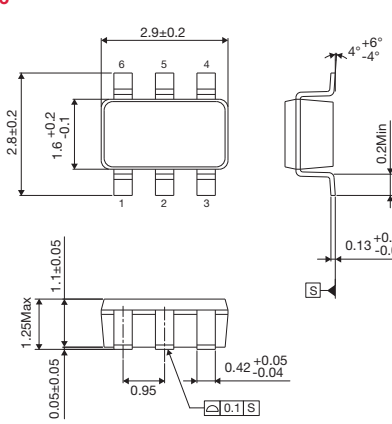
Taping: 3,000pcs

SSOP5



Taping: 3,000pcs

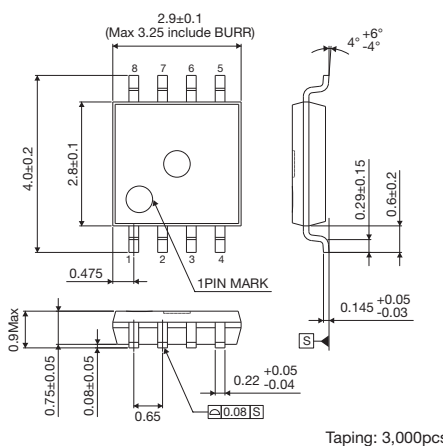
SSOP6



Taping: 3,000pcs

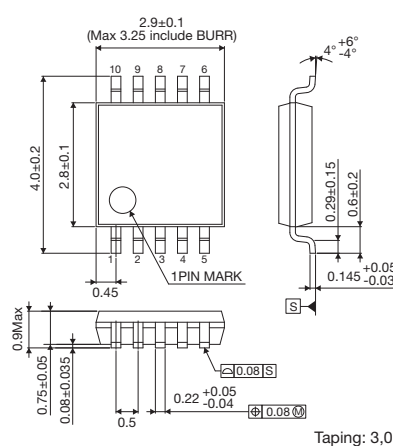
MSOP Packages

MSOP8



Taping: 3,000pcs

MSOP10



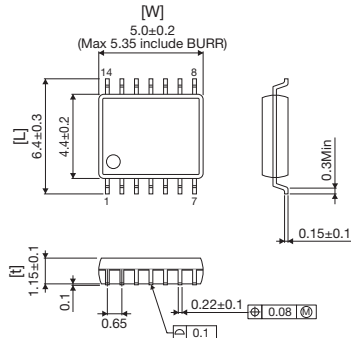
Taping: 3,000pcs

Note: Please refer package from "LAPIS Technology Packages".

SOP Packages

(Unit: mm)

SSOP Package (for SSOP-B14)



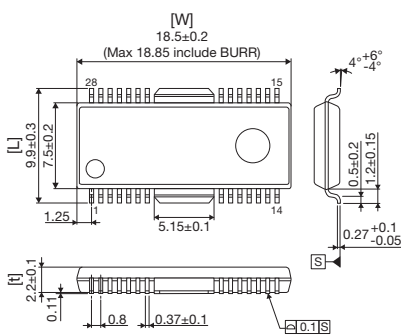
	Package	Pin Number (pin)	Length [L] (mm)	Width [W] (mm)	Thickness [t] (mm)	Package (pcs) taping
SOP Package Pin Pitch: 1.27mm	SOP8	8	6.2	5.0	1.61	2,500
	SOP-JW8		6.0	4.9	1.65	2,500
	SOP14	14	6.2	8.7	1.61	2,500
	SOP-J14		6.0	8.65	1.65	2,500
	SOP16	16	6.2	10.0	1.61	2,500
	SOP-J16A		6.0	9.9	1.55	2,500
	SOP16WM		10.31	10.34	2.56	1,500
	SOP18	18	7.8	11.2	1.91	2,000
	SOP24	24	7.8	15.0		2,000
	SOP28	28	9.9	18.5	2.31	1,500
SOP-J8	8	6.0	4.9	1.55	2,500	
SSOP-A Package Pin Pitch: 0.8mm	SSOP-A16	16	6.2	6.6	1.61	2,500
	SSOP-A20	20	7.8	8.7	1.91	2,000
	SSOP-A24	24	7.8	10.0	1.9	2,000
	SSOP-A32	32	7.8	13.6	1.91	2,000
SSOP-B Package Pin Pitch: 0.65mm	SSOP-B8	8	6.4	3.0	1.25	2,500
	SSOP-B10W	10	10.2	3.5	1.9	1,500
	SSOP-B14	14	6.4	5.0	1.25	2,500
	SSOP-B16	16	6.4	5.0		2,500
	SSOP-B20	20	6.4	6.5	1.81	2,500
	SSOP-B20W		8.1	6.5		2,000
	SSOP-B24	24	7.6	7.8	1.25	2,000
	SSOP-B28	28	7.6	10.0		2,000
	SSOP-B28W		10.4	9.2	2.4	1,500
SSOP-B40	40	7.8	13.6	1.9	2,000	
TSSOP-B Package Pin Pitch: 0.65mm	TSSOP-B8	8	6.4	3.0	1.2	3,000
	TSSOP-B8J		4.9	3.0	1.1	2,500
	TSSOP-B14J	14	6.4	5.0	1.2	2,500
TSSOP-C Package Pin Pitch: 0.5mm	TSSOP-C48V	48	8.1	12.5	1.0	2,000

Note: Please check the ROHM website for detailed dimensions.

HSOP Packages (Heat sink on both side)

(Unit: mm)

HSOP Package (for HSOP-M28)



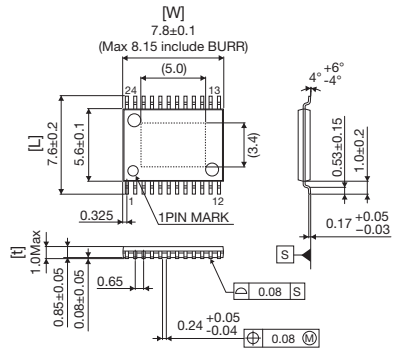
	Package	Pin Number (pin)	Length [L] (mm)	Width [W] (mm)	Thickness [t] (mm)	Package (pcs) taping
HSOP Package Pin Pitch: 1.27mm	HSOP20	20	7.8	14.9	2.1	2,000
HSOP Package Pin Pitch: 0.8mm	HSOP25	25	7.8	13.6	2.01	2,000
HSOP-M Package Pin Pitch: 0.8mm	HSOP-M28	28	9.9	18.5	2.31	1,500
	HSOP-M36	36	9.9	18.5	2.4	1,500

Note: Please check the ROHM website for detailed dimensions.

HTSOP Packages (With back heat sink)

(Unit: mm)

HTSSOP Package (for HTSSOP-B24)



	Package	Pin Number (pin)	Length [L] (mm)	Width [W] (mm)	Thickness [t] (mm)	back heat sink (mm)	Package (pcs) taping
HTSOP Package Pin Pitch: 1.27mm	HTSOP-J8	6	6.0	4.9	1.0	2.4×3.2	2,500
	HTSOP-J8ES	8	6.0	4.9		1.8×2.2	2,500
HTSSOP-A Package Pin Pitch: 0.8mm	HTSSOP-A44	44	9.5	18.5	1.0	5.0×6.0	1,500
	HTSOP-A44R		9.5	18.5		5.0×6.0 (surface)	1,500
HTSSOP-B Package Pin Pitch: 0.65mm	HTSSOP-B16	16	6.4	5.0	1.0	2.4×3.0	2,500
	HTSSOP-B20	20	6.4	6.5		2.4×4.0	2,500
	HTSSOP-B24	24	7.6	7.8		3.4×5.0	2,000
	HTSSOP-B28	28	6.4	9.7		2.9×5.5	2,500
	HTSSOP-B30	30	7.6	10.0		3.7×5.8	2,000
	HTSSOP-B40	40	7.8	13.6		3.4×8.4	2,000
HTSSOP-B54	54	9.5	18.5	5.0×6.0	1,500		
HSSOP-C Package Pin Pitch: 0.5mm	HSSOP-C16	16	6.0	4.9	1.7	about 2.5×4.12	2,500

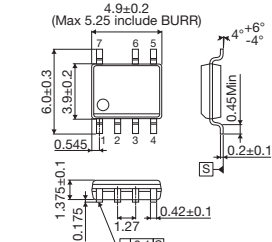
Note: Please check the ROHM website for detailed dimensions.

Note: Please refer package from "LAPIS Technology Packages".

SOP Special Packages

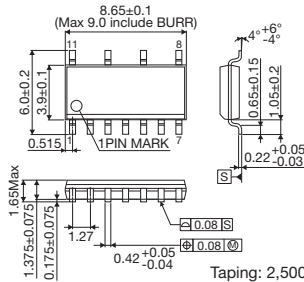
(Unit: mm)

SOP-J7S



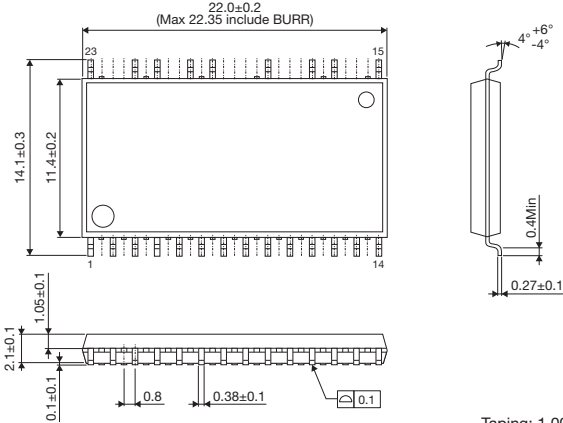
Taping: 2,500pcs

SOP-J11



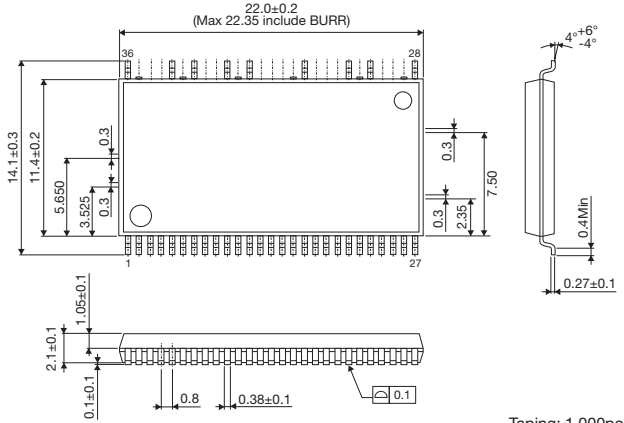
Taping: 2,500pcs

SSOP-A54_23



Taping: 1,000pcs

SSOP-A54_36A



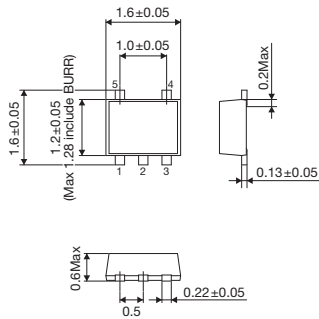
Taping: 1,000pcs

None-lead Packages

(Unit: mm)

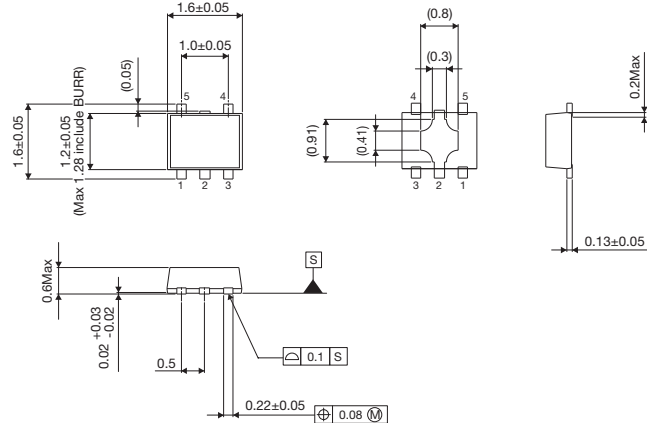
VSO F Packages

VSO F5



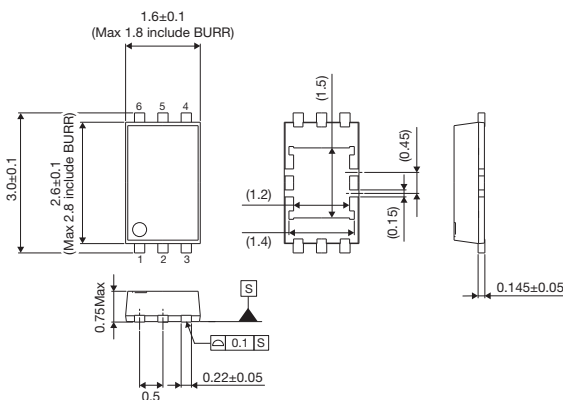
Taping: 3,000pcs

HVSOF5 (With back heat sink)



Taping: 3,000pcs

HVSOF6 (With back heat sink)



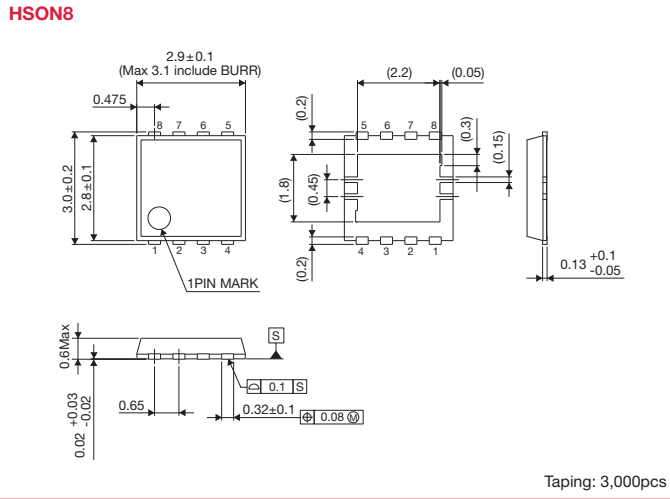
Taping: 3,000pcs

Note: Please refer package from "LAPIS Technology Packages".

None-lead Package

(Unit: mm)

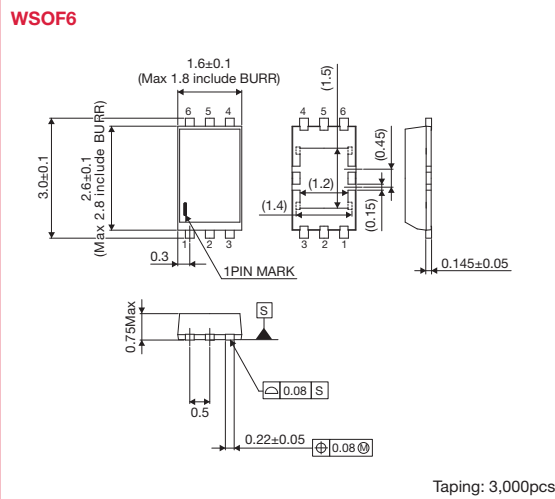
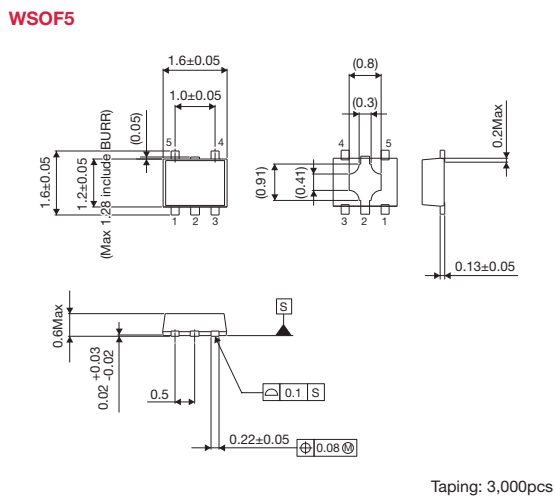
HSON Package (With back heat sink)



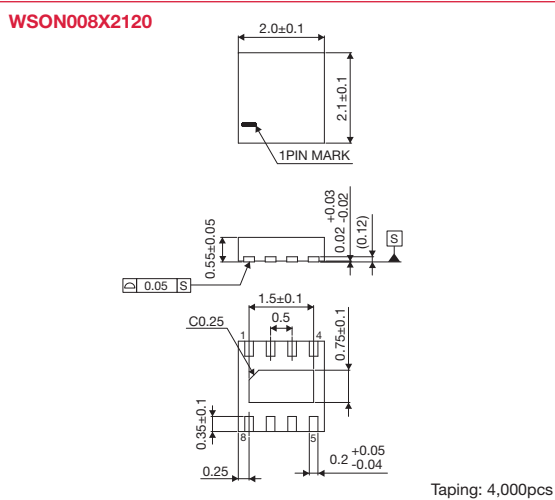
Optical Non-lead Packages (With back heat sink)

(Unit: mm)

WSOF Packages



WSON Package



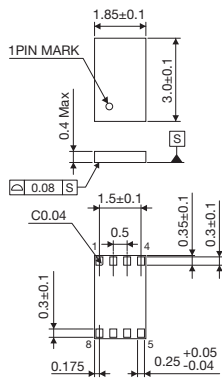
Note: Please refer package from "LAPIS Technology Packages".

MMP Packages

(Unit: mm)

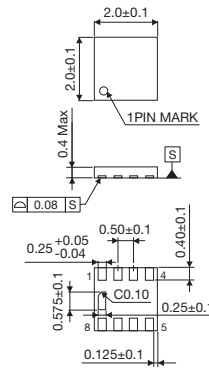
VMMP Packages

VMMP008Z1830



Taping: 4,000pcs

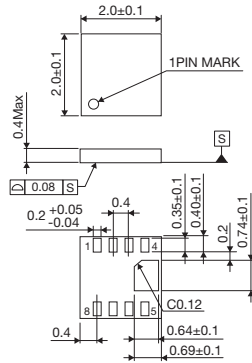
VMMP08LZ2020



Taping: 4,000pcs

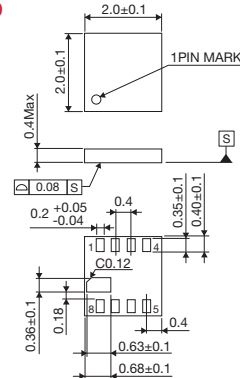
UMMP Packages

UMMP008Z020



Taping: 4,000pcs

UMMP008AZ020

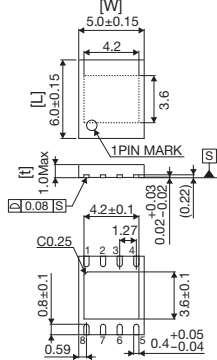


Taping: 4,000pcs

SON Packages (With back heat sink)

(Unit: mm)

SON Package (for SON008V5060)



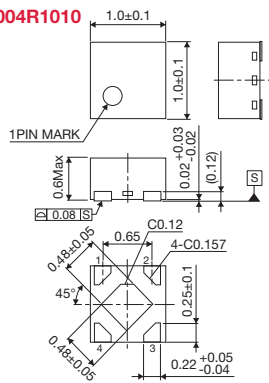
	Package	Pin Number (pin)	Length [L] (mm)	Width [W] (mm)	Thickness [t] (mm)	back heat sink (mm)	Package (pcs) taping	
SON Package Pin Pitch: 1.27mm	SON008V5060	8	6.0	5.0	1.0	3.6×4.2	2,000	
SSON Package Pin Pitch: 0.65mm	SSON004X1010	4	1.0	1.0	0.6	0.48×0.48	5,000	
	SSON004X1216		1.6	1.2		0.8×0.75	5,000	
USON Package Pin Pitch: 0.4mm	USON014X3020	14	2.0	3.0	0.6	0.8×2.5	4,000	
	USON016X3315	16	1.5	3.3		0.6×2.9	4,000	
VSON Package Pin Pitch: 0.5mm	VSON008V2030	8	3.0	2.0	1.0	1.4×1.5	3,000	
	VSON008X2020		2.0	2.0		0.6	0.8×1.5	4,000
	VSON008X2030		3.0	2.0		0.6	1.4×1.5	4,000
	VSON010V3030	10	3.0	3.0	1.0	1.2×2.0	3,000	
	VSON010X3020		2.0	3.0		0.6	0.64×2.0	4,000
	VSON010X3030		3.0	3.0		0.6	1.2×2.0	4,000
	VSON10FV3030		3.0	3.0	1.0	1.2×2.0	3,000	

Note: Please check the ROHM website for detailed dimensions.

SON Special Packages (With back heat sink)

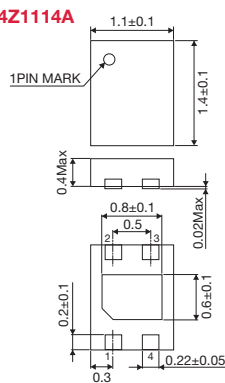
(Unit: mm)

SSON004R1010



Taping: 5,000pcs

VSON04Z1114A



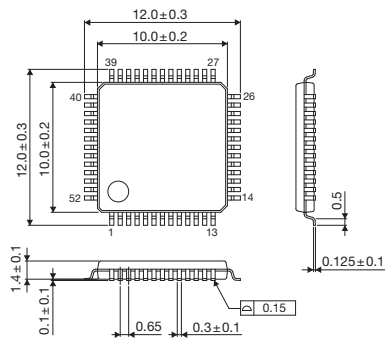
Taping: 5,000pcs

Note: Please refer package from "LAPIS Technology Packages".

QFP Packages

(Unit: mm)

SQFP Package (for SQFP-T52)



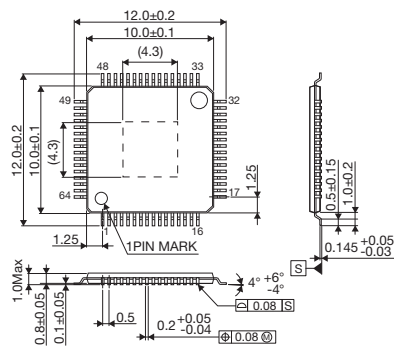
	Package	Pin Number (pin)	Length [L] (mm)	Width [W] (mm)	Thickness [t] (mm)	Package (pcs)	
						Tray	Taping
SQFP-T Package Pin Pitch: 0.65mm	SQFP-T52	52	12.0	12.0	1.5	1,000	1,000
	SQFP-T64	64	14.0	14.0		1,000	—
	SQFP-T80C	80	16.0	16.0		500	—
TQFP Package Pin Pitch: 0.5mm	TQFP48V	48	9.0	9.0	1.2	1,000	1,500
	TQFP64V	64	12.0	12.0	1.1	1,000	1,000
	TQFP100V	100	16.0	16.0	1.2	500	500
VQFP Package Pin Pitch: 0.5mm	VQFP48C	48	9.0	9.0	1.6	1,000	1,500
	VQFP64	64	12.0	12.0		1,000	1,000
	VQFP80	80	14.0	14.0		1,000	1,000
	VQFP100	100	16.0	16.0		500	500

Note: Please check the ROHM website for detailed dimensions.

QFP Packages (With back heat sink)

(Unit: mm)

HTQFP Package (for HTQFP64AV)



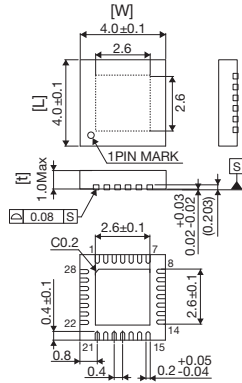
	Package	Pin Number (pin)	Length [L] (mm)	Width [W] (mm)	Thickness [t] (mm)	back heat sink (mm)	Package (pcs)	
							Tray	Taping
HTQFP Package Pin Pitch: 0.5mm	HTQFP64AV	64	12.0	12.0	1.0	4.3×4.3	—	1,000
	HTQFP64BV		12.0	12.0		6.5×6.5	—	1,000
HTQFP Package Pin Pitch: 0.4mm	HTQFP128UA	128	16.0	16.0	1.2	6.6×6.6	—	900
HQFP Package Pin Pitch: 0.5mm	HQFP144VM	144	22.0	22.0	1.6	6.0×6.0	—	60

Note: Please check the ROHM website for detailed dimensions.

QFN Packages (With back heat sink)

(Unit: mm)

UQFN Package (for UQFN28V4040A)



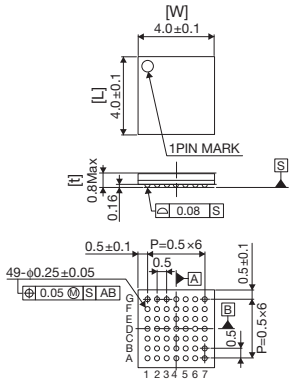
	Package	Pin Number (pin)	Length [L] (mm)	Width [W] (mm)	Thickness [t] (mm)	back heat sink (mm)	Package (pcs) taping
SQFN Package Pin Pitch: 0.65mm	SQFN016V4040	16	4.0	4.0	1.0	2.1×2.1	2,500
UQFN Package Pin Pitch: 0.4mm	UQFN28V4040A	28	4.0	4.0	1.0	2.6×2.6	2,500
	UQFN036V5050	36	5.0	5.0		2.7×2.7	2,500
	UQFN040V5050	40	5.0	5.0		3.3×3.3	2,500
	UQFN40V5050		5.0	5.0	0.935	3.6×3.6	2,500
	UQFN40V5050A	40	5.0	5.0	1.0	3.6×3.6	2,500
	UQFN056V7070		7.0	7.0		4.7×4.7	1,500
	UQFN56BV7070	56	7.0	7.0	4.0×4.0	1,500	
	UQFN68CV8080	68	8.0	8.0	4.3×4.3	1,000	
UQFN88MV0100	88	10.0	10.0	7.8×7.8	1,000		
VQFN Package Pin Pitch: 0.5mm	VQFN11X3535A	11	3.5	3.5	0.6	—	2,500
	VQFN16FV3030	16	3.0	3.0	1.0	1.4×1.4	3,000
	VQFN16KV3030		3.0	3.0		1.4×1.4	3,000
	VQFN16Z3030A		3.0	3.0	0.4	1.8×1.8	4,000
	VQFN20	20	4.2	4.2	0.95	—	2,500
	VQFN20FV3535		3.5	3.5	1.0	2.05×2.05	2,500
	VQFN20PV3535		3.5	3.5	1.0	2.05×2.05	2,500
	VQFN20QV3535		3.5	3.5		2.05×2.05	2,500
	VQFN20U4040M		4.0	4.0	0.5	2.6×2.6	2,500
	VQFN020V4040		4.0	4.0	1.0	2.1×2.1	2,500
	VQFN24FV4040	24	4.0	4.0		2.4×2.4	2,500
	VQFN24SV4040		4.0	4.0		2.4×2.4	2,500
	VQFN024V4040		4.0	4.0		2.4×2.4	2,500
	VQFN28FV5050	28	5.0	5.0		2.7×2.7	2,500
	VQFN28SV5050		5.0	5.0		2.7×2.7	2,500
	VQFN028V5050		5.0	5.0		3.4×3.4	2,500
	VQFN32FBV050	32	5.0	5.0		3.4×3.4	2,500
	VQFN32FAV050		5.0	5.0		3.4×3.4	2,500
	VQFN32SV5050		5.0	5.0		3.4×3.4	2,500
	VQFN032V5050		5.0	5.0		3.4×3.4	2,500
	VQFN36	36	6.2	6.2		0.95	—
	VQFN036V6060		6.0	6.0	1.0	3.6×3.6	2,000
	VQFN40W6060A	40	6.0	6.0	0.8	4.5×4.5	2,000
	VQFN040V6060		6.0	6.0	1.0	3.7×3.7	2,000
VQFN48V7070A	48	7.0	7.0	0.9	5.3×5.3	1,500	
VQFN48MCV070		7.0	7.0	1.0	5.6×5.6	1,500	
VQFN48FV7070		7.0	7.0		3.2×3.2	1,500	
VQFN048V7070		7.0	7.0		4.7×4.7	1,500	
VQFN56AV8080		8.0	8.0		3.4×3.4	1,000	
WQFN Package Pin Pitch: 0.5mm	WQFN12X2520A	12	2.5	2.0	0.55	—	4,000

Note: Please check the ROHM website for detailed dimensions.

BGA Packages

(Unit: mm)

VBGA Package (for VBGA049W040A)



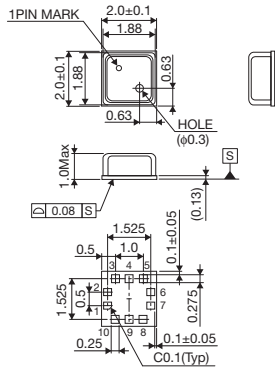
	Package	Pin Number (pin)	Length [L] (mm)	Width [W] (mm)	Thickness [t] (mm)	Package (pcs) taping
SBGA Package Pin Pitch: 0.65mm	SBGA072T070A	72	7.0	7.0	1.2	1,500
	VBGA048W040	48	4.0	4.0	0.9	2,500
VBGA Package Pin Pitch: 0.5mm	VBGA049W040A	49	4.0	4.0	0.8	2,500
	VBGA064T050A	64	5.0	5.0	1.2	2,500
	VBGA099W060	99	6.0	6.0	0.9	2,000

Note: Please check the ROHM website for detailed dimensions.

Special Packages

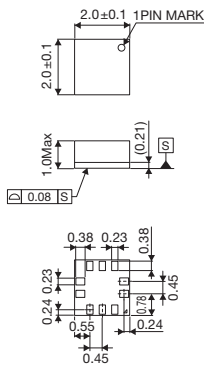
(Unit: mm)

CLGA10V020A



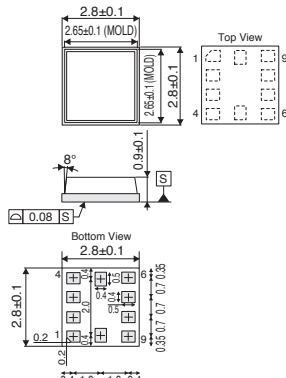
Taping: 3,000pcs

MLGA10V020A



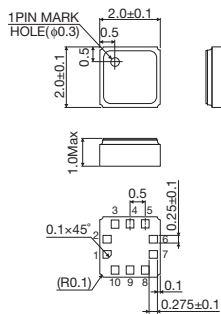
Taping: 2,500pcs

WLGA010V28



Taping: 3,000pcs

RLGA10V020T/
RLGA10VG020T



Note: Please refer package from "LAPIS Technology Packages".

WL-CSP Packages

(Unit: mm)

VCSP <Pin Pitch: 0.5mm>

VCSP85H	VCSP60N	VCSP50L	VCSP35L
2.8mm square size less than: 3,000pcs 2.81mm square size or more: 2,500pcs	2.8mm square size less than: 3,000pcs 2.81mm square size or more: 2,500pcs	2.8mm square size less than: 3,000pcs 2.81mm square size or more: 2,500pcs	2.8mm square size less than: 3,000pcs 2.81mm square size or more: 2,500pcs Embossed carrier tape: 3,000pcs

UCSP <Pin Pitch: 0.4mm>

UCSP75M	UCSP55M	UCSP50L	UCSP35L
2.8mm square size less than: 3,000pcs 2.81mm square size or more: 2,500pcs	2.8mm square size less than: 3,000pcs 2.81mm square size or more: 2,500pcs	2.8mm square size less than: 3,000pcs 2.81mm square size or more: 2,500pcs	2.8mm square size less than: 3,000pcs 2.81mm square size or more: 2,500pcs Embossed carrier tape: 3,000pcs
UCSP30L	UCSP25L	UCSP16X	
2.8mm square size less than: 3,000pcs 2.81mm square size or more: 2,500pcs Embossed carrier tape: 3,000pcs	Embossed carrier tape: 3,000pcs	Embossed carrier tape: 3,000pcs	

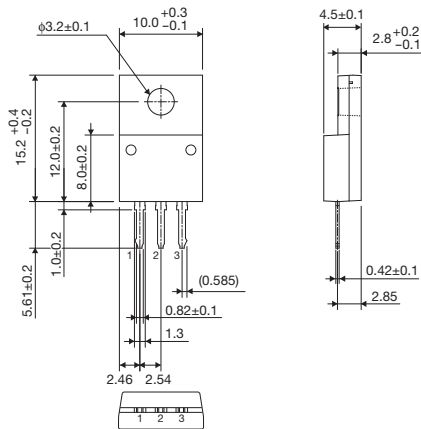
Note: Please refer package from "LAPIS Technology Packages".

Power Packages

(Unit: mm)

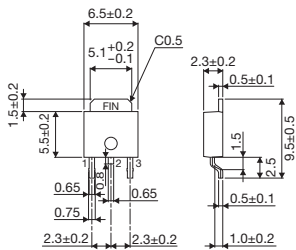
Power-3pin

TO220CP-3



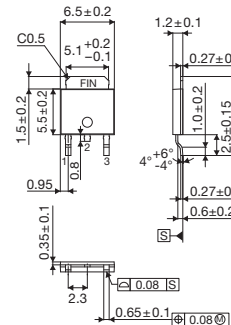
Taping: 500pcs

TO252-3



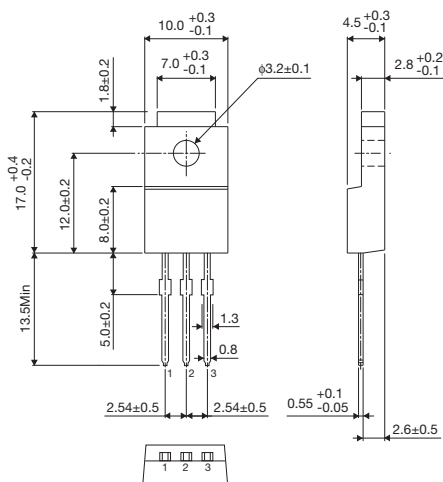
Taping: 2,000pcs

TO252S-3



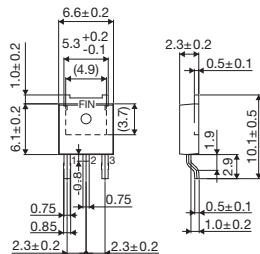
Taping: 2,000pcs

TO220FP-3



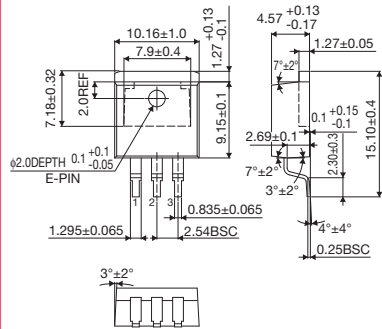
Container tube: 500pcs

TO252-J3



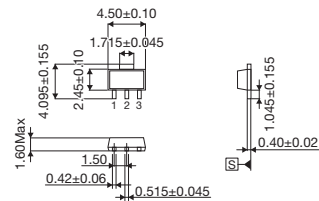
Taping: 2,000pcs

TO263-3



Taping: 500pcs

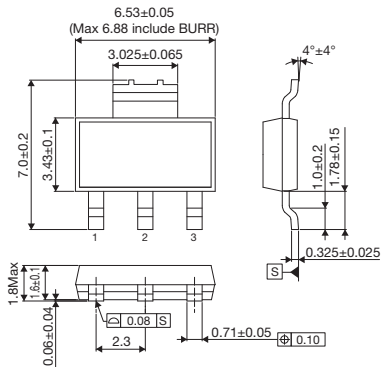
SOT89-3K



Taping: 1,000pcs

Power-4pin

SOT223-4



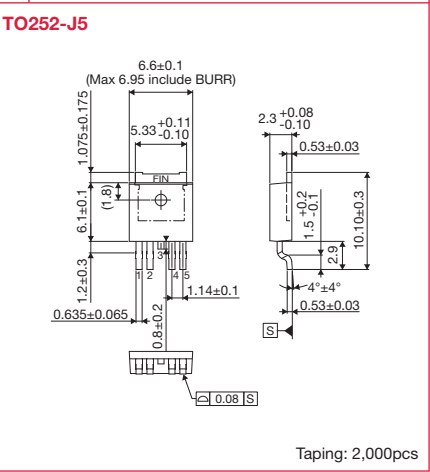
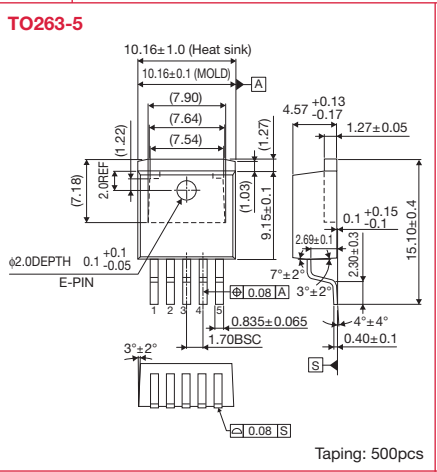
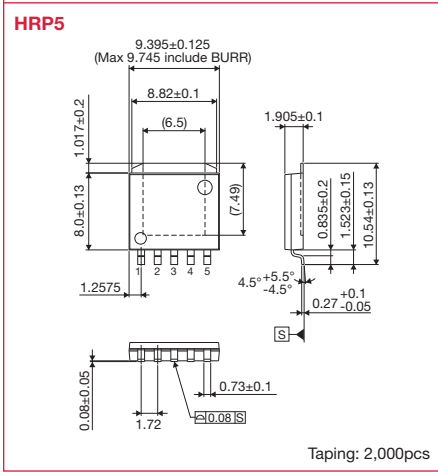
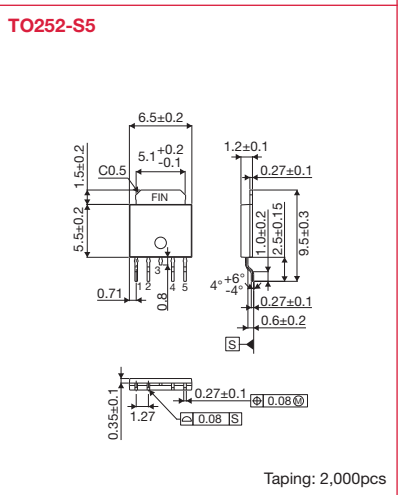
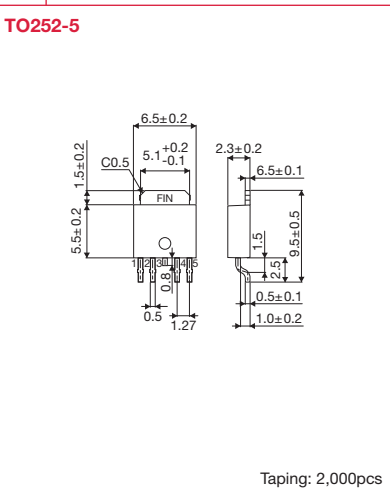
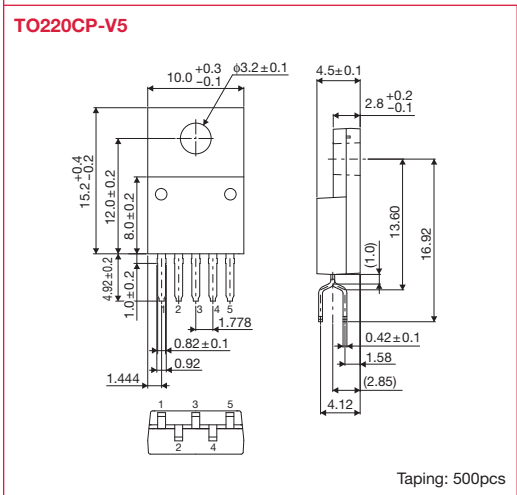
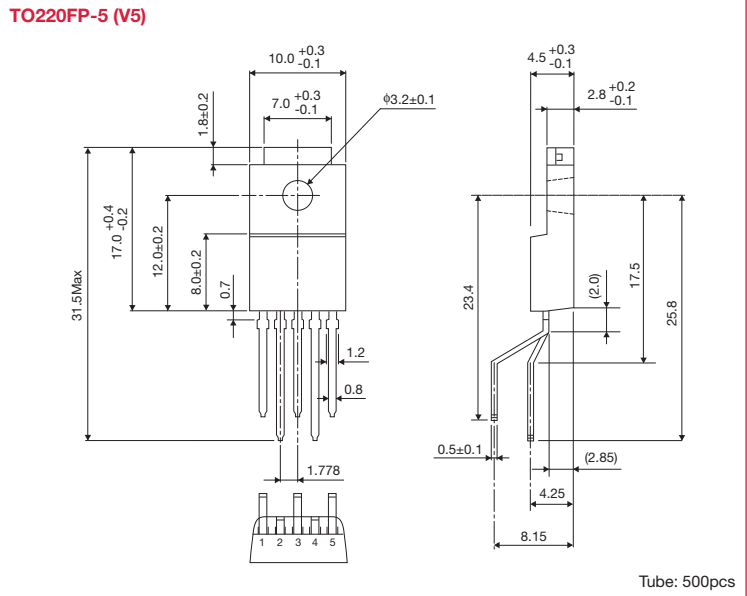
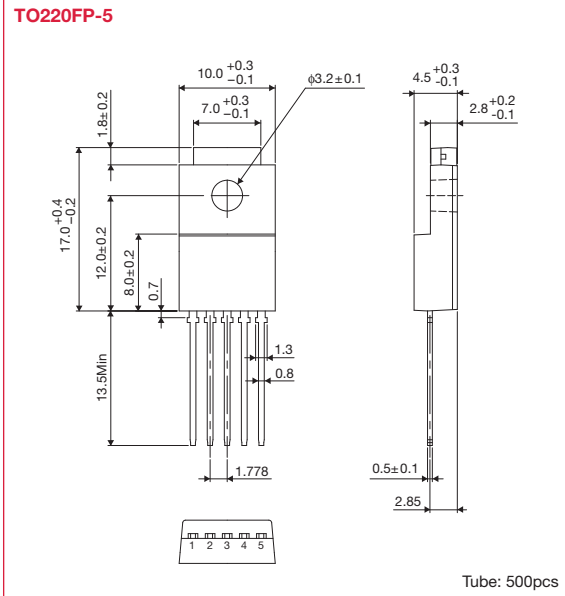
Taping: 2,000pcs

Note: Please refer package from "LAPIS Technology Packages".

Power Packages

(Unit: mm)

Power-5pin



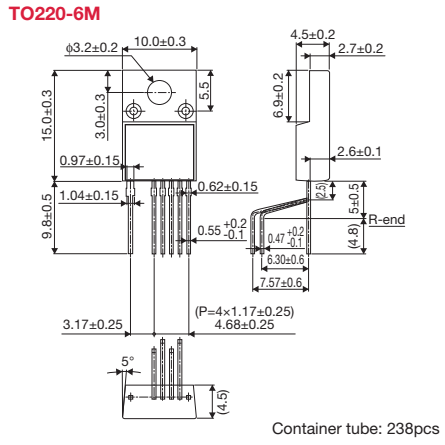
Note: Please refer package from "LAPIS Technology Packages".

IC Packages

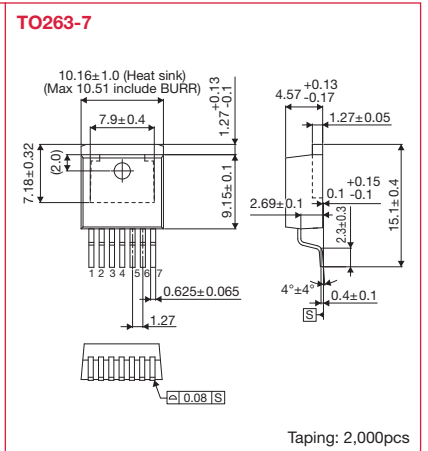
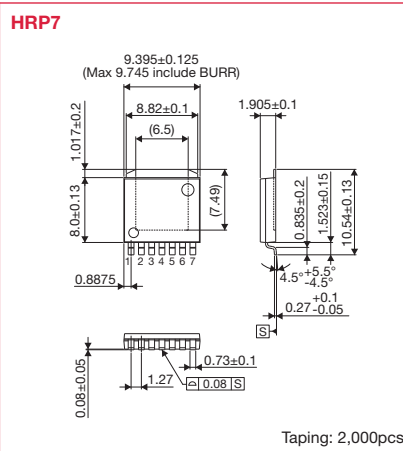
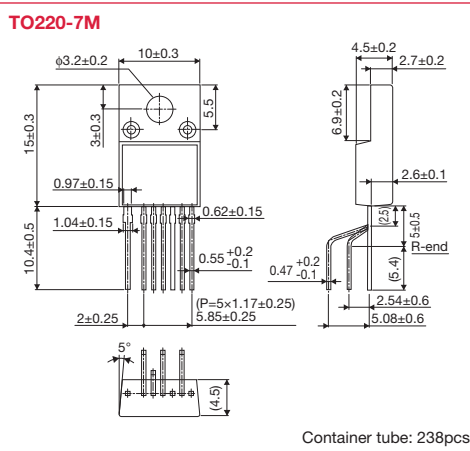
Power Packages

(Unit: mm)

Power-6pin



Power-7pin



Note: Please refer package from "LAPIS Technology Packages".