

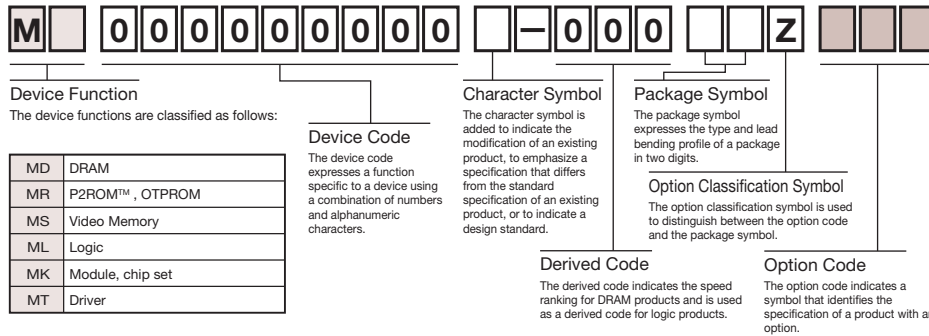
LAPIS Technology Packages

Part No. Explanation P.124 SOP Packages P.125 TSOP Packages P.125 QFP Packages P.126	QFN Packages P.127 WSON Package P.128 BGA Packages P.129 WL-CSP Package P.129
---	--

These package size are an example. For details, please inquire to the sales.

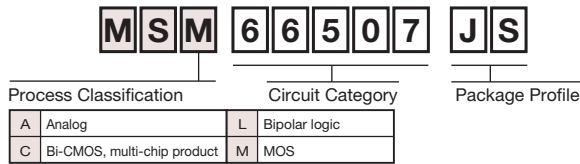
LAPIS Technology LSI Part No. Explanation

Product names are assigned to our semiconductor devices using the following convention, starting with the character "M".



The following shows the convention of item name assignment for conventional products.

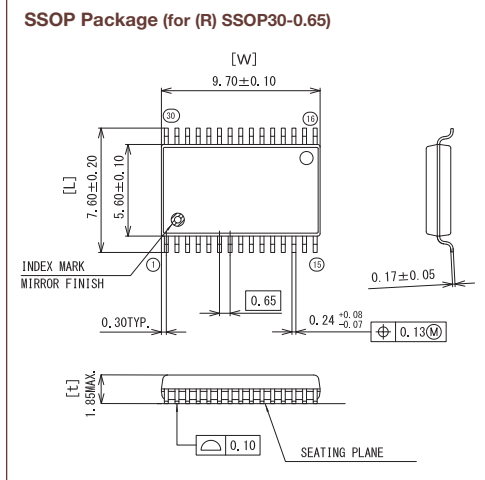
* The actual package profile is not shown here.



These package size are an example. For details, please inquire to the sales.

SOP Packages

(Unit: mm)



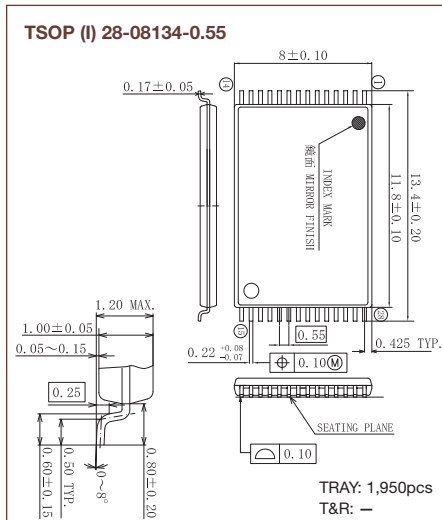
	Package	Pin Number (pin)	Length [L] (mm)	Width [W] (mm)	Thickness [t] (mm)	TRAY (pcs)	T&R (pcs)
SOP Package Pin Pitch: 1.27mm	SOP8-200-1.27	8	6.0	4.9	1.55	—	2,500
SSOP Package Pin Pitch: 1mm	SSOP32-430-1.00	32	12.0	15.95	2.50	1,280	1,000
SSOP Package Pin Pitch: 0.80mm	SSOP64-525-0.80	64	14.1	26.0	2.50	—	800
SSOP Package Pin Pitch: 0.65mm	(P-) SSOP16-0225-0.65	16	6.4	5.0	1.33	4,760	2,500
	(P-) SSOP30-56-0.65	30	7.6	9.7	1.85	2,000	2,000
	SSOP60-700-0.65	60	19.0	20.0	2.50	600	600
TSSOP Package Pin Pitch: 0.65mm	(P-) TSSOP20-0225-0.65	20	6.4	6.5	1.10	4,160	2,000
VSSOP Package Pin Pitch: 0.65mm	P-VSSOP8-0150-0.65-TK6	8	4.0	2.9	0.90	—	3,000

Note: Please check the LAPIS Technology website for detailed dimensions.

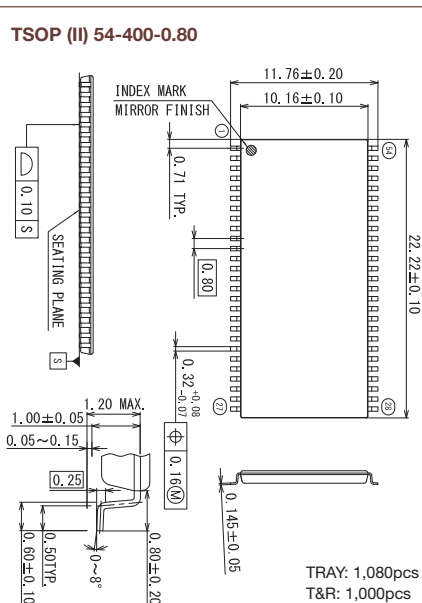
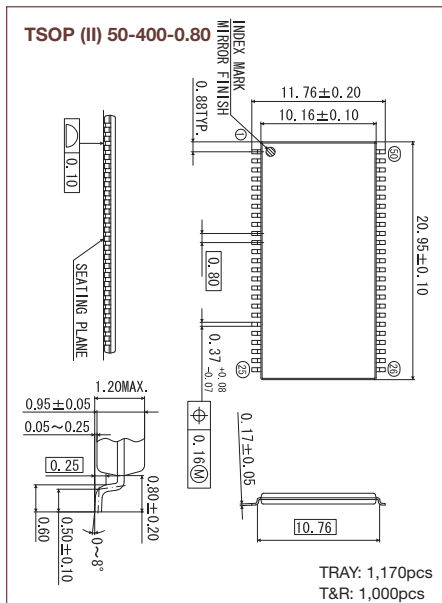
TSOP Packages

(Unit: mm)

TSOP (Type I)



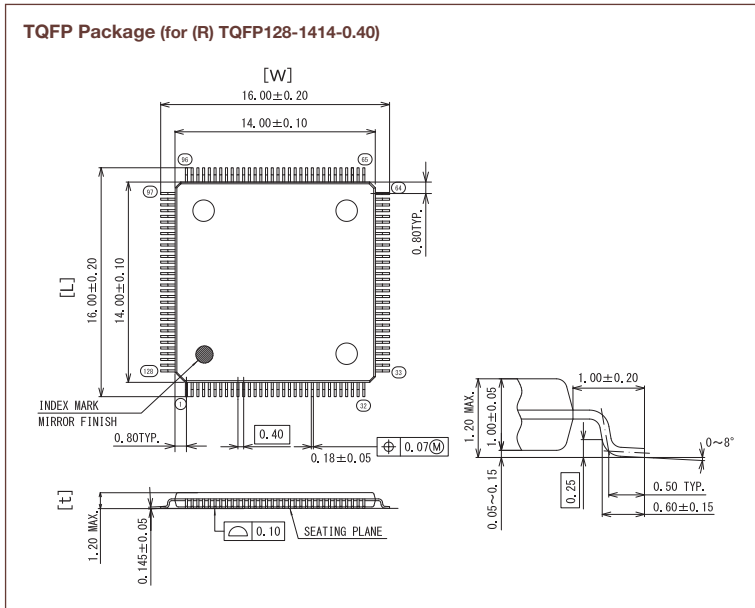
TSOP (Type II)



These package size are an example. For details, please inquire to the sales.

QFP Packages

(Unit: mm)



QFP

	Package	Pin Number (pin)	Length [L] (mm)	Width [W] (mm)	Thickness [t] (mm)	TRAY (pcs)	T&R (pcs)
QFP Package Pin Pitch: 0.8mm	(P-) QFP44-910-0.80	44	13.5	14.5	2.25	1,440	1,000
	(P-) QFP64-1414-0.80	64	17.2	17.2	2.80	840	—
QFP Package Pin Pitch: 0.65mm	(P-) QFP56-910-0.65	56	13.5	14.5	2.25	1,400	1,000
	(P-) QFP80-1414-0.65	80	17.2	17.2	3.05	840	—
	(P-) QFP100-1420-0.65	100	19.0	25.0	2.50	600	—

Note: Please check the LAPIS Technology website for detailed dimensions.

LQFP

	Package	Pin Number (pin)	Length [L] (mm)	Width [W] (mm)	Thickness [t] (mm)	TRAY (pcs)	T&R (pcs)
LQFP Package Pin Pitch: 0.8mm	(P-) LQFP32-0707-0.80	80	9.0	9.0	1.600	2,500	1,000
LQFP Package Pin Pitch: 0.65mm	(P-) LQFP144-2020-0.50	50	22.0	22.0	1.600	600	—

Note: Please check the LAPIS Technology website for detailed dimensions.

TQFP

	Package	Pin Number (pin)	Length [L] (mm)	Width [W] (mm)	Thickness [t] (mm)	TRAY (pcs)	T&R (pcs)
TQFP Package Pin Pitch: 0.80mm	(P-) TQFP32-0707-0.80	32	9.0	9.0	1.20	2,500	1,000
	(P-) TQFP44-1010-0.80	44	12.0	12.0	1.20	1,600	1,000
TQF Package Pin Pitch: 0.65mm	(P-) TQFP52-1010-0.65	52	12.0	12.0	1.20	1,600	1,000
TQFP Package Pin Pitch: 0.5mm	(P-) TQFP48-0707-0.50	48	9.0	9.0	1.10	2,500	1,000
	(P-) TQFP64-1010-0.50	64	12.0	12.0	1.20	1,600	1,000
	(P-) TQFP100-1414-0.50	100	16.0	16.0	1.20	900	—
TQFP Package Pin Pitch: 0.40mm	(P-) TQFP80-1010-0.40	80	12.0	12.0	1.20	1,600	—
	(P-) TQFP120-1414-0.40	120	16.0	16.0	1.20	900	—
	(P-) TQFP128-1414-0.40	128	16.0	16.0	1.20	900	—

Note: Please check the LAPIS Technology website for detailed dimensions.

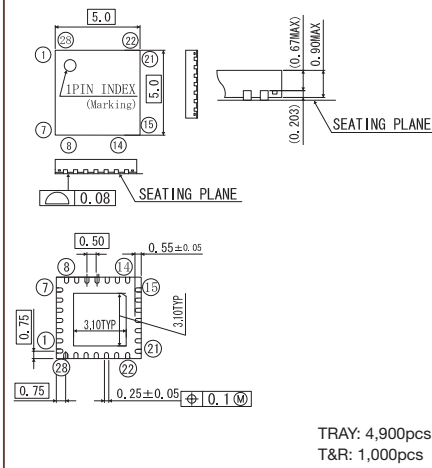
These package size are an example. For details, please inquire to the sales.

QFN Packages

(Unit: mm)

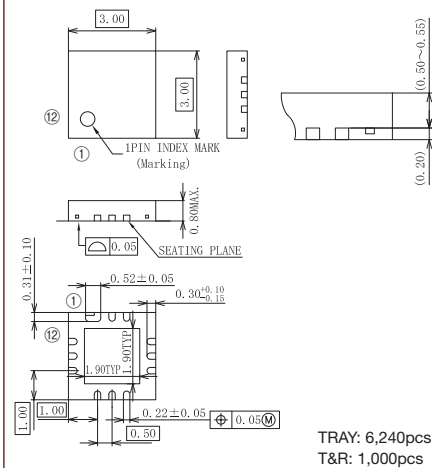
VQFN

(P-) VQFN28-0505-0.50

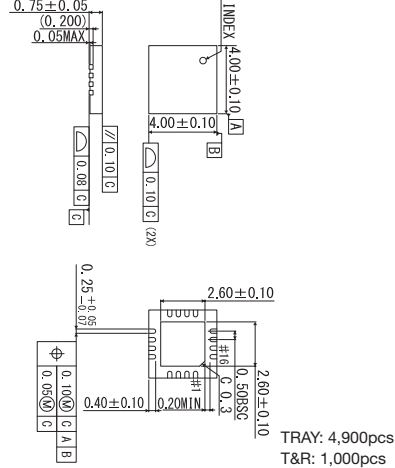


WQFN

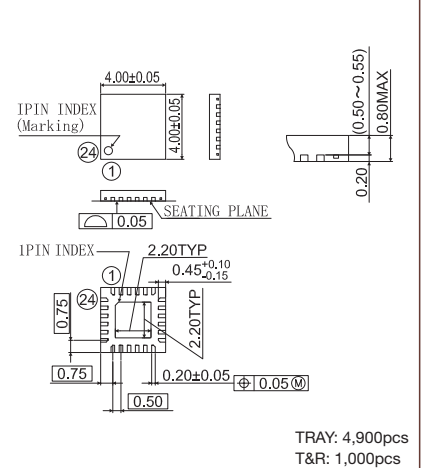
P-WQFN12-0303-0.50-63



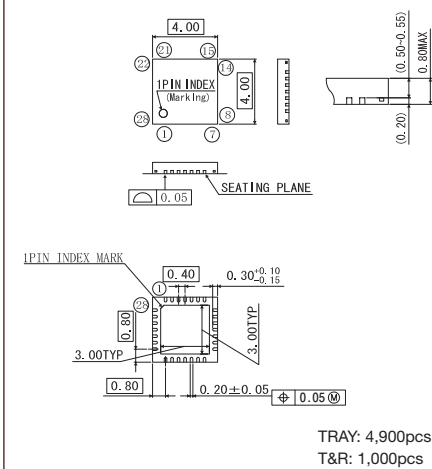
WQFN16-0404-0.50



(P-) WQFN24-0404-0.50



(P-) WQFN28-0404-0.40



IC Packages

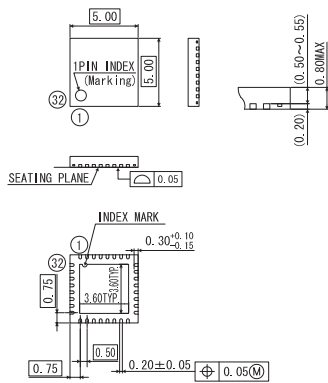
These package size are an example. For details, please inquire to the sales.

QFN Packages

(Unit: mm)

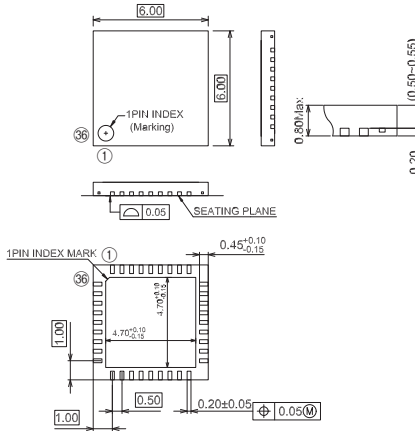
WQFN

(P-) WQFN32-0505-0.50



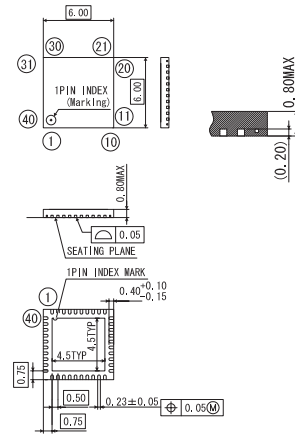
TRAY: 4,030pcs
T&R: 1,000pcs

P-WQFN36-0606-0.50



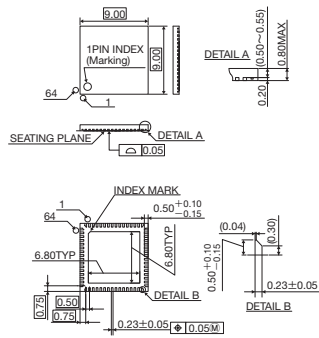
TRAY: 4,900pcs
T&R: 2,500pcs

(P-) WQFN40-0606-0.50



TRAY: 4,900pcs
T&R: 2,500pcs

(P-) WQFN64-0909-0.50



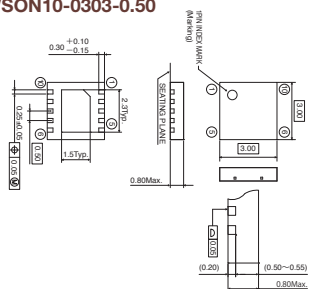
TRAY: 2,600pcs
T&R: 3,000pcs

WSON Packages

(Unit: mm)

WSON

P-WSON10-0303-0.50



TRAY: —
T&R: 1,000pcs

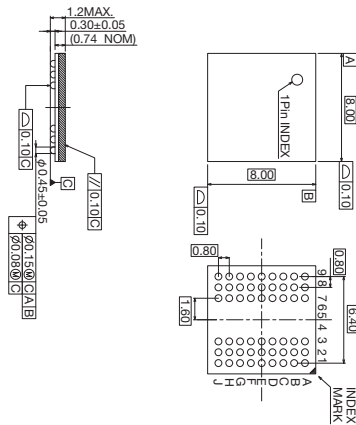
These package size are an example. For details, please inquire to the sales.

BGA Packages

(Unit: mm)

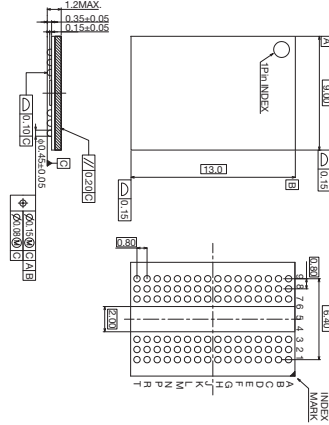
TFBGA

P-TFBGA54-0808-0.80



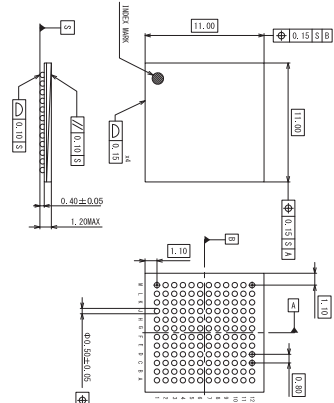
TRAY: 3,480pcs
T&R: 2,000pcs

P-TFBGA96-9.0x13.0-0.80



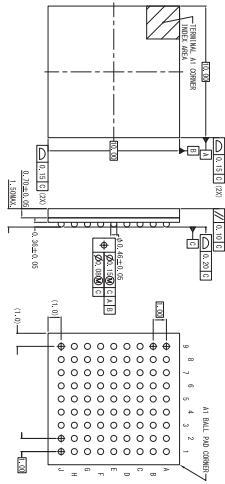
TRAY: 1,900pcs
T&R: —

P-TFBGA144-1111-0.80



TRAY: 1,680pcs
T&R: 1,000pcs

P-LBGA81-1010-1.00-1



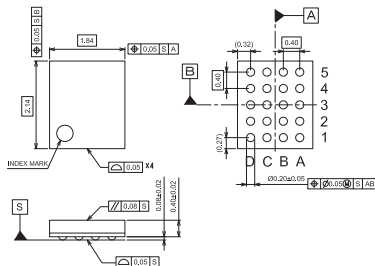
TRAY: 1,680pcs
T&R: —

WL-CSP Packages

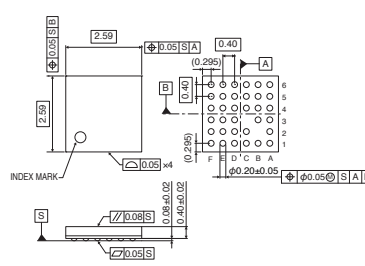
(Unit: mm)

WCSP

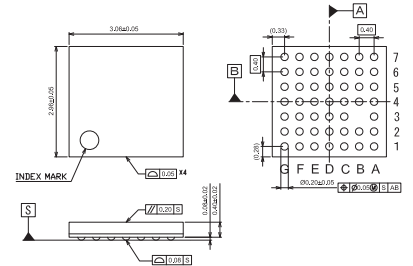
S-UFLGA20-1.84x2.14-0.40 (WCSP20)



S-UFLGA34-2.59x2.59-0.40-W (WCSP34)



S-UFLGA48-3.06x2.96-0.40 (WCSP48)



S-UFLGA67-4.69x3.12-0.40-W (WCSP67)

