




Full SiC Power Modules

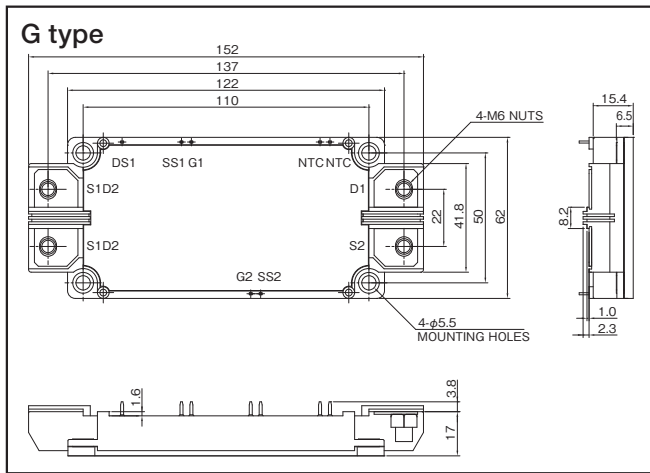
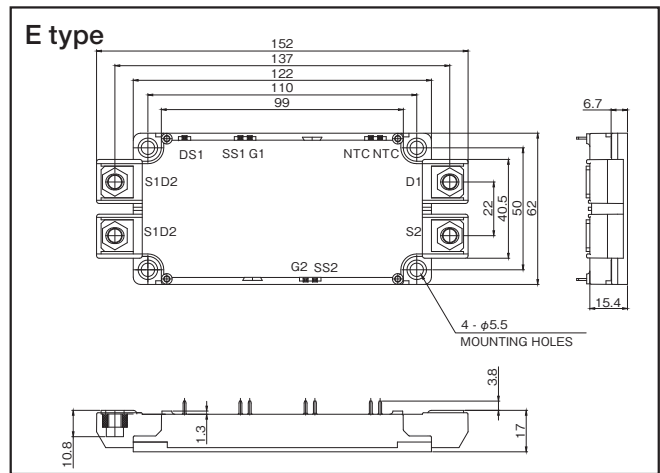
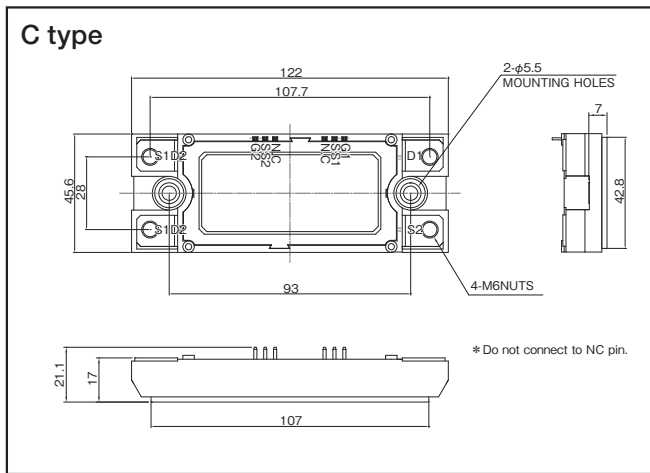
● Quick Reference for Full SiC Power Modules

V _{DSS} (V)	R _{DS(on)} (mΩ)	Case type		
		 C type	 E type	 G type
1,200	34	BSM080D12P2C008		
	20	BSM120D12P2C005 BSM120C12P2C201		
	12.8	BSM180D12P2C101		
	12.2		BSM180C12P2E202 BSM180D12P2E002	
	10	BSM180D12P3C007 BSM180C12P3C202		
	7.3		BSM300D12P2E001	
	6.3		BSM300C12P3E201	
	5.75			BSM400D12P2G003
	5.55		BSM300D12P3E005	
	4.5			BSM400D12P3G002 BSM400C12P3G202 BSM600D12P3G001 BSM600C12P3G201
1,700	8		BSM250D17P2E004	

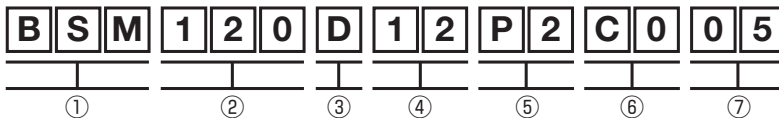
Full SiC Power Modules							
Part No.	Absolute Maximum Ratings (T _J =25°C)					Package	Internal Circuit
	V _{DS} (V)	I _D (A)	T _J (°C)	T _{stg} (°C)	Visol (V) AC 1min.		
BSM080D12P2C008	1,200	80	-40 to +175	-40 to +125	2,500	C type	
BSM120D12P2C005	1,200	120	-40 to +175	-40 to +125	2,500		
BSM120C12P2C201	1,200	120	-40 to +175	-40 to +125	2,500		
BSM180D12P2C101	1,200	180	-40 to +175	-40 to +125	2,500		
BSM180D12P3C007	1,200	180	-40 to +175	-40 to +125	2,500		
BSM180C12P3C202	1,200	180	-40 to +175	-40 to +125	2,500		
BSM180C12P2E202	1,200	180	-40 to +175	-40 to +125	2,500	E type	
BSM180D12P2E002	1,200	180	-40 to +175	-40 to +125	2,500		
BSM300D12P2E001	1,200	300	-40 to +175	-40 to +125	2,500		
BSM300D12P3E005	1,200	300	-40 to +175	-40 to +125	2,500		
BSM300C12P3E201	1,200	300	-40 to +175	-40 to +125	2,500	G type	
BSM400C12P3G202	1,200	400	-40 to +175	-40 to +125	2,500		
BSM600C12P3G201	1,200	600	-40 to +175	-40 to +125	2,500		
BSM400D12P2G003	1,200	400	-40 to +175	-40 to +125	2,500		
BSM400D12P3G002	1,200	400	-40 to +175	-40 to +125	2,500		
BSM600D12P3G001	1,200	600	-40 to +175	-40 to +125	2,500		
BSM250D17P2E004	1,700	250	-40 to +175	-40 to +125	3,400	E type	

Full SiC Power Modules

●Dimensions (Unit: mm)



●Part No. Explanation



- ① SiC Power Module
- ② Rated Current
- ③ 2 in 1
- ④ Breakdown Voltage
Example 12 → 1,200V
- ⑤ Device type
P2 2nd generation SiC MOSFET
P3 3rd generation SiC MOSFET
- ⑥ Case type
- ⑦ Additional Number