



# Intelligent Power Modules

## ● Quick Reference for Intelligent Power Modules

V <sub>DSS</sub> /V <sub>CES</sub> (V)	I <sub>b</sub> /I <sub>c</sub> (A)	IGBT-IPM				MOS-IPM	
		Gen.2		Gen.3		Gen.1	
							
		Thermal Protective Function*					
		TSD	VOT	TSD	VOT	TSD	
HSDIP25		HSDIP25-VC					
600	10	BM63363S-VA BM63363S-VC BM63763S-VA BM63763S-VC	BM63563S-VA BM63563S-VC BM63963S-VA BM63963S-VC	<b>New</b> BM63373S-VA <b>New</b> BM63373S-VC	<b>New</b> BM63573S-VA <b>New</b> BM63573S-VC		
		BM63364S-VA BM63364S-VC BM63764S-VA BM63764S-VC	BM63564S-VA BM63564S-VC BM63964S-VA BM63964S-VC	<b>New</b> BM63374S-VA <b>New</b> BM63374S-VC <b>New</b> BM64374S-VA	<b>New</b> BM63574S-VA <b>New</b> BM63574S-VC	BM65364S-VA BM65364S-VC	
	20			<b>New</b> BM63375S-VA <b>New</b> BM63375S-VC <b>New</b> BM64375S-VA	<b>New</b> BM63575S-VA <b>New</b> BM63575S-VC		
		BM63767S-VA BM63767S-VC	BM63967S-VA BM63967S-VC	<b>New</b> BM63377S-VA <b>New</b> BM63377S-VC <b>New</b> BM64377S-VA	<b>New</b> BM63577S-VA <b>New</b> BM63577S-VC		
	35			<b>New</b> BM64378S-VA			

\*TSD: Thermal Shut Down, VOT: Analog Temperature Output

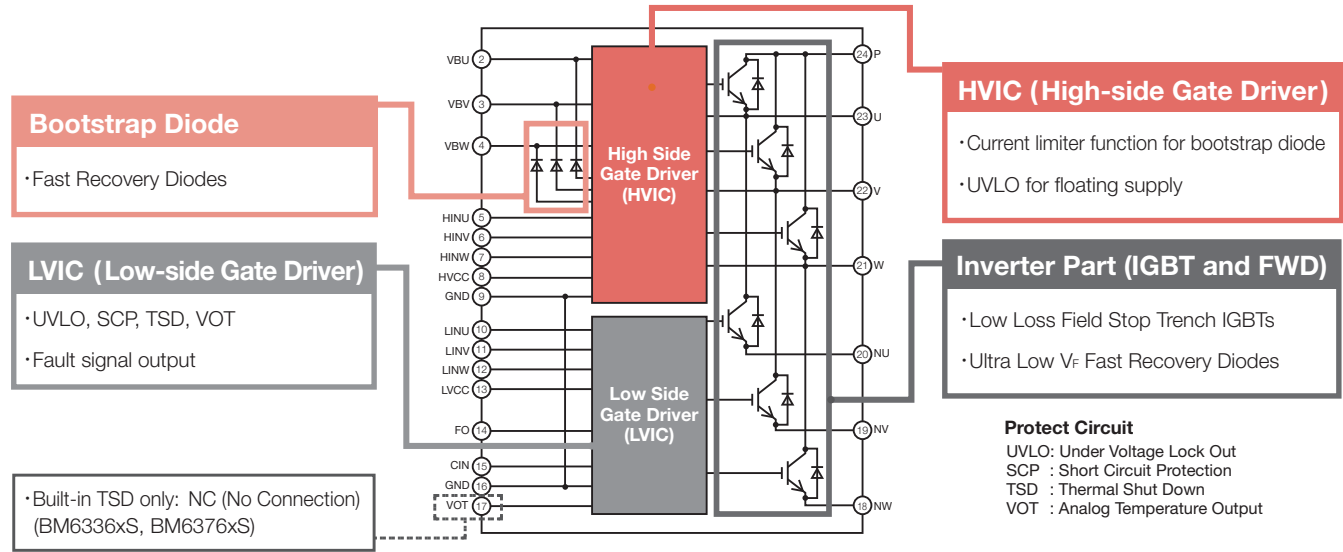
## Intelligent Power Modules

IGBT-IPM									
Generation	Part No.	Power Device	V <sub>CES</sub> (V)	I <sub>c</sub> (A)	PWM Input Frequency (kHz)	Isolation Voltage* <sup>1</sup> (Vrms)	Thermal Protective Function* <sup>2</sup>		Package
							TSD	VOT	
Gen.2	BM63363S-VA	IGBT	600	10	up to 6	1,500	✓		HSDIP25
	BM63363S-VC	IGBT	600	10	up to 6	1,500	✓		HSDIP25VC
	BM63563S-VA	IGBT	600	10	up to 6	1,500		✓	HSDIP25
	BM63563S-VC	IGBT	600	10	up to 6	1,500		✓	HSDIP25VC
	BM63763S-VA	IGBT	600	10	up to 20	1,500	✓		HSDIP25
	BM63763S-VC	IGBT	600	10	up to 20	1,500	✓		HSDIP25VC
	BM63963S-VA	IGBT	600	10	up to 20	1,500		✓	HSDIP25
	BM63963S-VC	IGBT	600	10	up to 20	1,500		✓	HSDIP25VC
	BM63364S-VA	IGBT	600	15	up to 6	1,500	✓		HSDIP25
	BM63364S-VC	IGBT	600	15	up to 6	1,500	✓		HSDIP25VC
	BM63564S-VA	IGBT	600	15	up to 6	1,500		✓	HSDIP25
	BM63564S-VC	IGBT	600	15	up to 6	1,500		✓	HSDIP25VC
	BM63764S-VA	IGBT	600	15	up to 20	1,500	✓		HSDIP25
	BM63764S-VC	IGBT	600	15	up to 20	1,500	✓		HSDIP25VC
	BM63964S-VA	IGBT	600	15	up to 20	1,500		✓	HSDIP25
	BM63964S-VC	IGBT	600	15	up to 20	1,500		✓	HSDIP25VC
	BM63767S-VA	IGBT	600	30	up to 20	1,500	✓		HSDIP25
	BM63767S-VC	IGBT	600	30	up to 20	1,500	✓		HSDIP25VC
BM63967S-VA	IGBT	600	30	up to 20	1,500		✓	HSDIP25	
BM63967S-VC	IGBT	600	30	up to 20	1,500		✓	HSDIP25VC	
Gen.3	<b>New</b> BM63373S-VA	IGBT	600	10	up to 20	1,500	✓	✓	HSDIP25
	<b>New</b> BM63373S-VC	IGBT	600	10	up to 20	1,500	✓	✓	HSDIP25VC
	<b>New</b> BM63573S-VA	IGBT	600	10	up to 20	1,500		✓	HSDIP25
	<b>New</b> BM63573S-VC	IGBT	600	10	up to 20	1,500		✓	HSDIP25VC
	<b>New</b> BM63374S-VA	IGBT	600	15	up to 20	1,500	✓	✓	HSDIP25
	<b>New</b> BM63374S-VC	IGBT	600	15	up to 20	1,500	✓	✓	HSDIP25VC
	<b>New</b> BM63574S-VA	IGBT	600	15	up to 20	1,500		✓	HSDIP25
	<b>New</b> BM63574S-VC	IGBT	600	15	up to 20	1,500		✓	HSDIP25VC
	<b>New</b> BM64374S-VA	IGBT	600	15	up to 20	1,500	✓	✓	HSDIP25
	<b>New</b> BM63375S-VA	IGBT	600	20	up to 20	1,500	✓	✓	HSDIP25
	<b>New</b> BM63375S-VC	IGBT	600	20	up to 20	1,500	✓	✓	HSDIP25VC
	<b>New</b> BM63575S-VA	IGBT	600	20	up to 20	1,500		✓	HSDIP25
	<b>New</b> BM63575S-VC	IGBT	600	20	up to 20	1,500		✓	HSDIP25VC
	<b>New</b> BM64375S-VA	IGBT	600	20	up to 20	1,500	✓	✓	HSDIP25
	<b>New</b> BM63377S-VA	IGBT	600	30	up to 20	1,500	✓	✓	HSDIP25
	<b>New</b> BM63377S-VC	IGBT	600	30	up to 20	1,500	✓	✓	HSDIP25VC
	<b>New</b> BM63577S-VA	IGBT	600	30	up to 20	1,500		✓	HSDIP25
	<b>New</b> BM63577S-VC	IGBT	600	30	up to 20	1,500		✓	HSDIP25VC
<b>New</b> BM64377S-VA	IGBT	600	30	up to 20	1,500	✓	✓	HSDIP25	
<b>New</b> BM64378S-VA	IGBT	600	35	up to 20	1,500	✓	✓	HSDIP25	
MOS-IPM									
Generation	Part No.	Power Device	V <sub>DS</sub> (V)	I <sub>b</sub> (A)	Recommended Switching Frequency (kHz)	Isolation Voltage* <sup>1</sup> (Vrms)	Thermal Protective Function* <sup>2</sup>		Package
							TSD	VOT	
Gen.1	BM65364S-VA	MOSFET	600	15	up to 20	1,500	✓		HSDIP25
	BM65364S-VC	MOSFET	600	15	up to 20	1,500	✓		HSDIP25VC

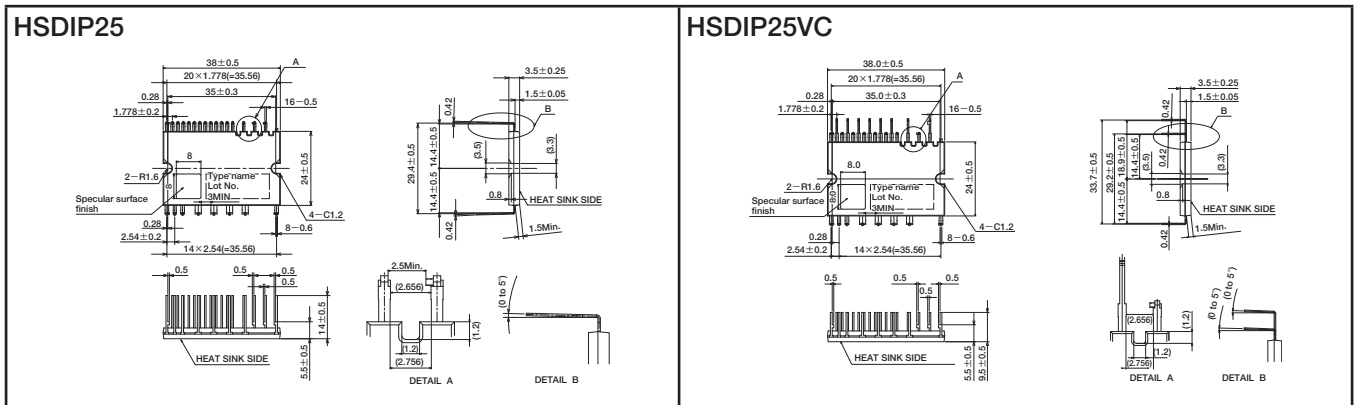
\*1 AC60Hz, 1 minutes, Corresponds to isolation voltage 2,500Vrms in the case the convex-shaped heat sink.

\*2 TSD: Thermal Shut Down, VOT: Analog Temperature Output

## ●Block Diagram IGBT-IPM



## ●Packages (Unit: mm)



## ●Part No. Explanation

