

By Category PDF

Category Intelligent Power Modules

Power Devices

Intelligent Power Modules

IGBT-IPM ————— 143



MOS-IPM ————— 143

Intelligent Power Modules

IGBT-IPM P.143 MOS-IPM P.143

Intelligent Power Modules

● Quick Reference for Intelligent Power Modules

V _{DSS} /V _{CEs} (V)	I _b /I _c (A)	IGBT-IPM				MOS-IPM		
		Gen.2		Gen.3		Gen.1		
								
		HSDIP25		HSDIP25-VC				
Thermal Protective Function*								
TSD		VOT		TSD		VOT		TSD
HSDIP25				HSDIP25-VC				
600	10	BM63363S-VA BM63363S-VC BM63763S-VA BM63763S-VC	BM63563S-VA BM63563S-VC BM63963S-VA BM63963S-VC		BM63373S-VA BM63373S-VC	BM63573S-VA BM63573S-VC		
	15	BM63364S-VA BM63364S-VC BM63764S-VA BM63764S-VC	BM63564S-VA BM63564S-VC BM63964S-VA BM63964S-VC		BM63374S-VA BM63374S-VC BM64374S-VA	BM63574S-VA BM63574S-VC		BM65364S-VA BM65364S-VC
	20				BM63375S-VA BM63375S-VC BM64375S-VA	BM63575S-VA BM63575S-VC		
	30	BM63767S-VA BM63767S-VC	BM63967S-VA BM63967S-VC		BM63377S-VA BM63377S-VC BM64377S-VA BM64378S-VA	BM63577S-VA BM63577S-VC		
	35							

*TSD: Thermal Shut Down, VOT: Analog Temperature Output

Intelligent Power Modules

IGBT-IPM									
Generation	Part No.	Power Device	V _{CEs} (V)	I _c (A)	PWM Input Frequency (kHz)	Isolation Voltage*1 (Vrms)	Thermal Protective Function*2		Package
							TSD	VOT	
Gen.2	BM63363S-VA	IGBT	600	10	up to 6	1,500	✓		HSDIP25
	BM63363S-VC	IGBT	600	10	up to 6	1,500	✓		HSDIP25VC
	BM63563S-VA	IGBT	600	10	up to 6	1,500		✓	HSDIP25
	BM63563S-VC	IGBT	600	10	up to 6	1,500		✓	HSDIP25VC
	BM63763S-VA	IGBT	600	10	up to 20	1,500	✓		HSDIP25
	BM63763S-VC	IGBT	600	10	up to 20	1,500	✓		HSDIP25VC
	BM63963S-VA	IGBT	600	10	up to 20	1,500		✓	HSDIP25
	BM63963S-VC	IGBT	600	10	up to 20	1,500		✓	HSDIP25VC
	BM63364S-VA	IGBT	600	15	up to 6	1,500	✓		HSDIP25
	BM63364S-VC	IGBT	600	15	up to 6	1,500	✓		HSDIP25VC
	BM63564S-VA	IGBT	600	15	up to 6	1,500		✓	HSDIP25
	BM63564S-VC	IGBT	600	15	up to 6	1,500		✓	HSDIP25VC
	BM63764S-VA	IGBT	600	15	up to 20	1,500	✓		HSDIP25
	BM63764S-VC	IGBT	600	15	up to 20	1,500	✓		HSDIP25VC
	BM63964S-VA	IGBT	600	15	up to 20	1,500		✓	HSDIP25
	BM63964S-VC	IGBT	600	15	up to 20	1,500		✓	HSDIP25VC
Gen.3	BM63767S-VA	IGBT	600	30	up to 20	1,500	✓		HSDIP25
	BM63767S-VC	IGBT	600	30	up to 20	1,500	✓		HSDIP25VC
	BM63967S-VA	IGBT	600	30	up to 20	1,500		✓	HSDIP25
	BM63967S-VC	IGBT	600	30	up to 20	1,500		✓	HSDIP25VC
	BM63373S-VA	IGBT	600	10	up to 20	1,500	✓	✓	HSDIP25
	BM63373S-VC	IGBT	600	10	up to 20	1,500	✓	✓	HSDIP25VC
	BM63573S-VA	IGBT	600	10	up to 20	1,500		✓	HSDIP25
	BM63573S-VC	IGBT	600	10	up to 20	1,500		✓	HSDIP25VC
	BM63374S-VA	IGBT	600	15	up to 20	1,500	✓	✓	HSDIP25
	BM63374S-VC	IGBT	600	15	up to 20	1,500	✓	✓	HSDIP25VC
	BM63574S-VA	IGBT	600	15	up to 20	1,500		✓	HSDIP25
	BM63574S-VC	IGBT	600	15	up to 20	1,500		✓	HSDIP25VC
	BM64374S-VA	IGBT	600	15	up to 20	1,500	✓	✓	HSDIP25
	BM63375S-VA	IGBT	600	20	up to 20	1,500	✓	✓	HSDIP25
	BM63375S-VC	IGBT	600	20	up to 20	1,500	✓	✓	HSDIP25VC
	BM63575S-VA	IGBT	600	20	up to 20	1,500		✓	HSDIP25
	BM63575S-VC	IGBT	600	20	up to 20	1,500		✓	HSDIP25VC
	BM64375S-VA	IGBT	600	20	up to 20	1,500	✓	✓	HSDIP25
BM63377S-VA	IGBT	600	30	up to 20	1,500	✓	✓	HSDIP25	
BM63377S-VC	IGBT	600	30	up to 20	1,500	✓	✓	HSDIP25VC	
BM63577S-VA	IGBT	600	30	up to 20	1,500		✓	HSDIP25	
BM63577S-VC	IGBT	600	30	up to 20	1,500		✓	HSDIP25VC	
BM64377S-VA	IGBT	600	30	up to 20	1,500	✓	✓	HSDIP25	
BM64378S-VA	IGBT	600	35	up to 20	1,500	✓	✓	HSDIP25	

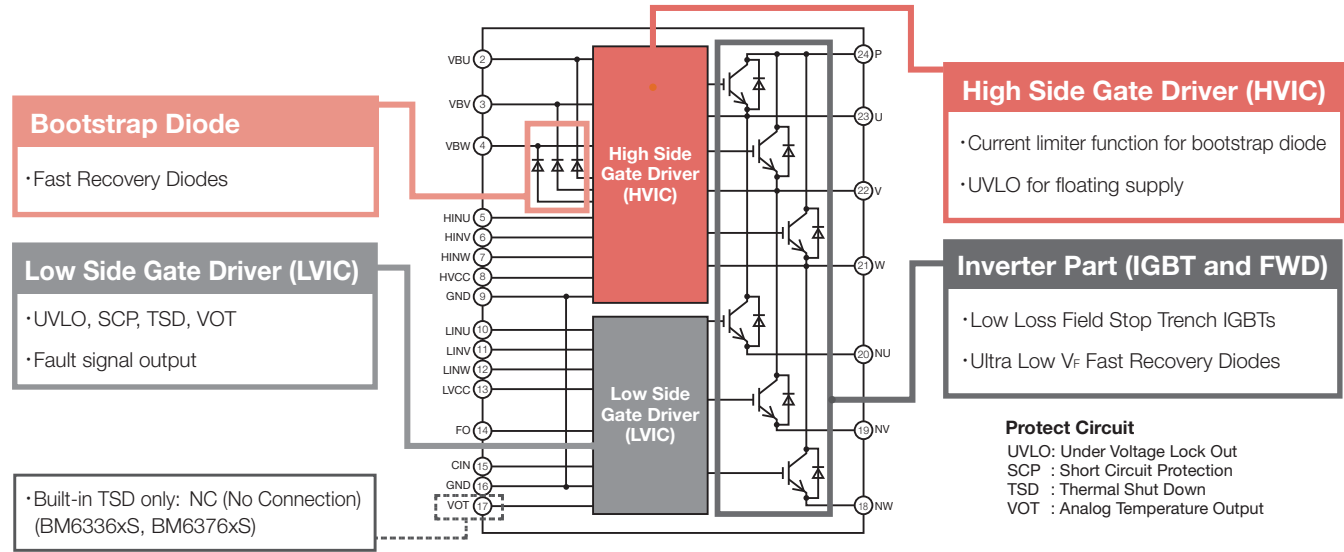
MOS-IPM									
Generation	Part No.	Power Device	V _{DS} (V)	I _b (A)	Recommended Switching Frequency (kHz)	Isolation Voltage*1 (Vrms)	Thermal Protective Function*2		Package
							TSD	VOT	
Gen.1	BM65364S-VA	MOSFET	600	15	up to 20	1,500	✓		HSDIP25
	BM65364S-VC	MOSFET	600	15	up to 20	1,500	✓		HSDIP25VC

*1 AC60Hz, 1 minutes, Corresponds to isolation voltage 2,500Vrms in the case the convex-shaped heat sink. *2 TSD: Thermal Shut Down, VOT: Analog Temperature Output

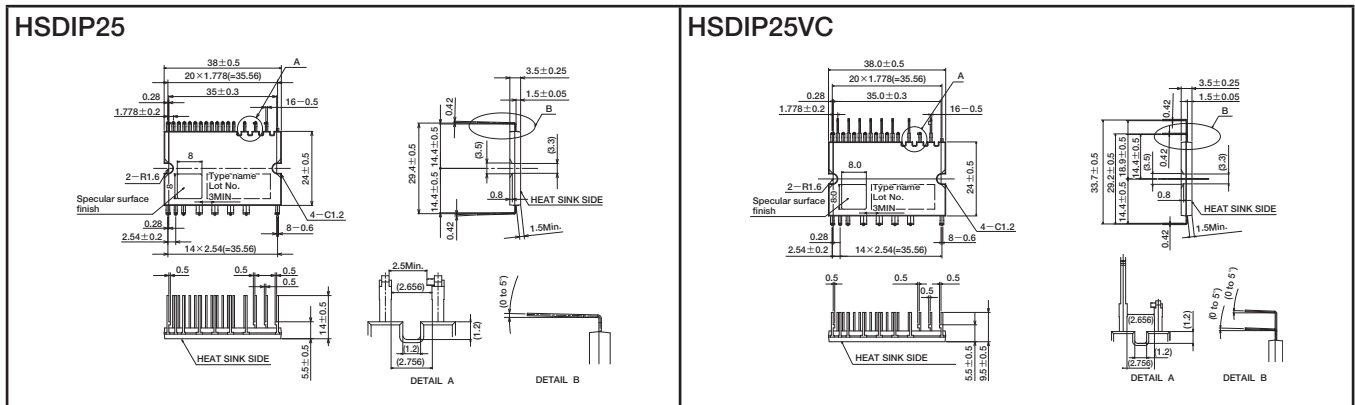
Intelligent Power Modules

Intelligent Power Modules

Block Diagram IGBT-IPM



Packages (Unit: mm)



Part No. Explanation

