

By Category PDF

Category Thermal Printheads

Modules

Thermal Printheads

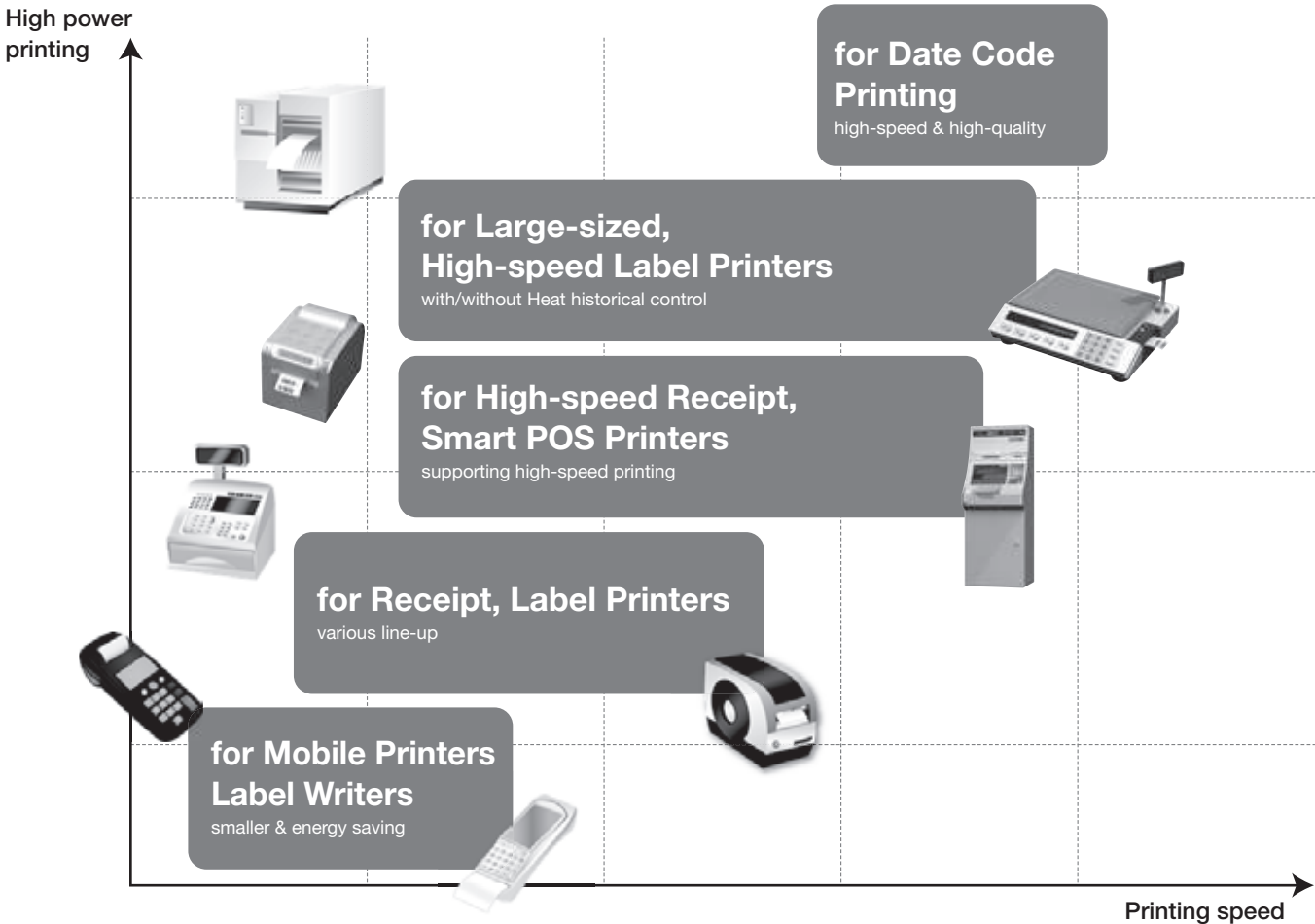
Selection guide	272
Part No. Configuration	272
For Mobile Printers series	273
For Label writers series	273
For Receipt, Label Printers series	274
For High-speed Receipt, Smart POS Printers series	275
For Large-sized, High-speed Label Printers series	276
For Large-sized, High-speed Label Printers with The Heat historical control	276
For Date Code Printing	277



Thermal Printheads

Selection guide	P.272	Part No. Configuration	P.272
For Mobile Printers series	P.273	For Label writers series	P.273
For Receipt, Label Printers series	P.274	For High-speed Receipt, Smart POS Printers series	P.275
For Large-sized, High-speed Label Printers series	P.276	For Large-sized, High-speed Label Printers with The Heat historical control	P.276
For Date Code Printing	P.277		

Selection guide



We have various line-up to response the customer requests. Please feel free to contact ROHM sales representative for further details if the product you are looking for is not listed.

Part No. Configuration

Totally 13 digit

K D 2 0 0 4 - D 1 F W 0 0 A

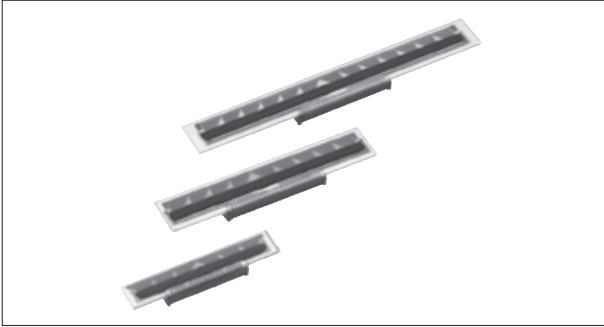
Structure of TPH Ex.)	Resolution Ex.)	Print Width Ex.)	Option Ex.)	Discrimination Number
KA/ KR Flat structure, Full glaze	10 100dpi 15 150dpi	01 1inch 02 2inch	DA Both side type connectors with Heatsink	03 3inch 04 4inch 05 5inch 06 6inch 08 8inch 10 10inch
KD Flat structure, Partial glaze	18 180dpi 20 203dpi	03 3inch 04 4inch	D1 Both side type connectors without Heatsink	
SH Near-edge structure, Partial glaze	30 300dpi 36 360dpi 60 600dpi	05 5inch 06 6inch 08 8inch 10 10inch	etc.	

Totally 11 digit

K D 2 0 0 4 - D F 1 0 A

Structure of TPH Ex.)	Resolution Ex.)	Print Width Ex.)	Option Ex.)	Discrimination Number
KA/ KR Flat structure, Full glaze	10 100dpi 15 150dpi	01 1inch 02 2inch	DF Both side type connectors with Heatsink	03 3inch 04 4inch 05 5inch 06 6inch 08 8inch 10 10inch
KD Flat structure, Partial glaze	18 180dpi 20 203dpi	03 3inch 04 4inch	DG Center type connector with Heatsink	
SH Near-edge structure, Partial glaze	30 300dpi 36 360dpi 60 600dpi	05 5inch 06 6inch 08 8inch 10 10inch	etc.	

For Mobile Printers series



■ Features

In addition to the 7.2V drive industry standard type that matches Li-ion battery drive, the lineup includes a 3.6V drive energy saving type and a 12V drive high-speed printing type. A thermal print head that supports a variety of sets.

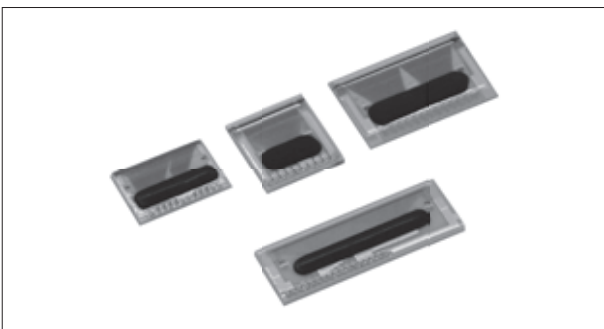
■ Applications

It is ideal for mobile printers with low voltage and strict current capacity restrictions, EFT-POS terminals with high demands for small size and energy savings, receipt printers, and small label printers.

For Mobile Printers series											
Part No.	Resolutions (dpi)	Print Width (mm)	Number of dot (dots)	Resistance variation (Ω)	Platen diameter (Max) (mm)	Print Speed (mm/s)	Print voltage (VH)	Logic Voltage (V _{cc})	Connector type	Abrasion life (km)	Pulse life (million pulses)
New KR2002-D06B71A	203	48	384	80	8	100	4.2	2.70 to 5.25	-	50	100
New KR3002-B06N1BA	300	48.8	576			50					
KA2002-B05B70A	203	48	384	176	14	100	7.2	2.70 to 5.25	Flat Cable	50	100
New KA2002-H05N00A									-		
KA2002-B35N00A		-									
KA2003-B35N00A		Flat Cable									
New KA2003-H05N10A	300	72	576	176	8	75	7.2	2.70 to 5.25	-	50	100
KA2004-D35N90A		104	832		14				Flat Cable		
New KA2004-H05N20A		48.8	576		8				8		
New KA3002-H05N00A									14		
New KA3003-H05N20A	73.2	864	14	8	75	7.2	2.70 to 5.25	-	50	100	
New KA3004-H05N11A	106	1,248	8	8	75	7.2	2.70 to 5.25	-	50	100	
New KD2002-G0JB10A	203	48	384	210	14	150	12	2.70 to 5.25	-	50	50
New KA3008-C03N10A	300	219.542	2,592	395	14	100	14	2.70 to 5.25	-	50	50

We can also develop a thermal printhead per customized specifications. Please contact a ROHM sales representative for further details.

For Label writers series



■ Features

ROHM's unique structure contributes to making printers smaller and lighter. A thick film structure with high contactability to the label, high corrosion resistance and excellent reliability, and a heat generating structure with excellent energy efficiency.

■ Applications

Ideal for label writers that issue labels for organizing and wrapping.

For Label writers series											
Part No.	Resolutions (dpi)	Print Width (mm)	Number of dot (dots)	Resistance variation (Ω)	Platen diameter (Max) (mm)	Print Speed (mm/s)	Print voltage (VH)	Logic Voltage (V _{cc})	Connector type	Abrasion life (km)	Pulse life (million pulses)
KL0643-BB11A	180	9.024	64	281	14	50	7.2	3.00 to 5.25	-	30	50
KL2000-E0KN60	203	12	96	142	17			2.70 to 5.25		50	
KL1801-DB92A	180	18.048	128	400	14			4.75 to 5.25		30	
KA2001-B05N30	203	24	192	123				2.70 to 5.25		50	100
New KD3001-H0JN11	300	32.5	384	210	14	50	7.2	2.70 to 5.25	-	50	50

We can also develop a thermal printhead per customized specifications. Please contact a ROHM sales representative for further details.

For Receipt, Label Printers series



■ Features

Adopting a heating element structure optimal for various printing speeds and media achieves both printing quality and energy saving. A thermal print head that supports high-level control by supporting a high-frequency clock.

■ Applications

It is ideal for POS terminals used in a wide range of fields, receipt printing for ATMs, label printers, slot machines and lottery printers.

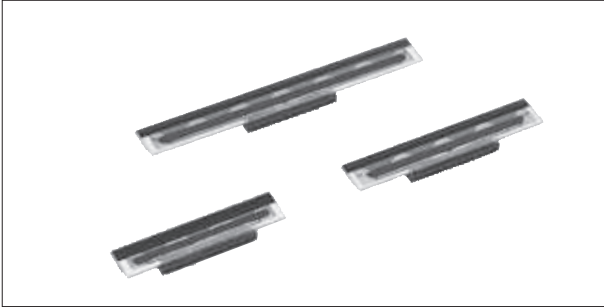


For Receipt, Label Printers series

Part No.	Resolutions (dpi)	Print Width (mm)	Number of dot (dots)	Resistance variation (Ω)	Platen diameter (Max) (mm)	Print Speed (mm/s)	Print voltage (VH)	Logic Voltage (V _{cc})	Connector type	Heat sink	Abrasion life (km)	Pulse life (million pulses)	
KD2002-CAFW00A	203	54	432	800	14	150	24	3.13 to 5.25	Wire Cable	YES	150	100	
KD2003-CAFW00A		72	576										
New KD2004-CAFW00A		108	864										
KD2002-CG11A		54	432		20				100				Wire Cable
KD2003-CG11A		72	576										
KD2004-CG11A		108	864										
KD2008-CF10A	300	219.542	2,592	1,000	12	200	3.13 to 5.25	Flat Cable	NO	50	50		
KD2008-CF16A				800								150	
KD3008-CF10A				1,250									
KD2008-CG50A	203	216	1,728	800	20	125	4.75 to 5.25	Flat Cable	YES	150	100		
KD2003-LOGBA0A		72	576										
KD3003-LEGW00A	300	73.18	864	1,000	20	125	3.13 to 5.25	Flat Cable	YES	150	100		

We can also develop a thermal printhead per customized specifications. Please contact a ROHM sales representative for further details.

For High-speed Receipt, Smart POS Printers series



■Features

By adopting a unique heating element structure that supports high-speed printing, clear print quality can be obtained even at high-speed printing. This series achieves high-quality printing on various media.

■Applications

Ideal for Smart POS printers that support high-speed printing, ECR printers, and small label printers such as cardboard labels.

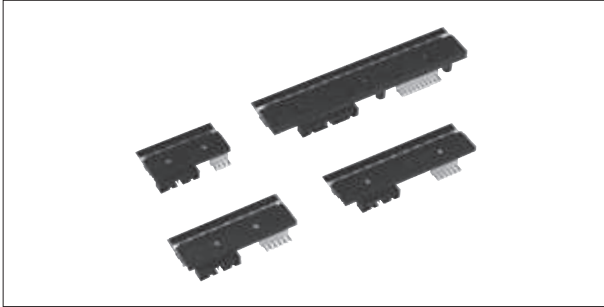


For High-speed Receipt, Smart POS Printers series

Part No.	Resolutions (dpi)	Print Width (mm)	Number of dot (dots)	Resistance variation (%)	Platen diameter (Max) (mm)	Print Speed (mm/s)	Print voltage (VH)	Logic Voltage (Vcc)	Connector type	Heat sink	Abrasion life (km)	Pulse life (million pulses)					
New KD2002-G0GB00A	203	56	448	650	14	250	24	3.13 to 5.25	-	NO	100	100					
New KD2003-G0GB00A		88	640														
New KD2004-G0GB00A		104	832														
New KD2002-G0FW00A		56	448														
New KD2003-G0FW00A		88	640														
New KD2004-G0FW00A		104	832														
New KD3002-G0FW00A	300	54.208	640	1,000	20	125	24	3.13 to 5.25	-	NO	150	100					
New KD3003-G0FW00A		81.312	960														
New KD3004-G0FW00A		108.416	1,280														
New KD3002-G1FW00A		54.208	640														
New KD3003-G1FW00A		81.312	960														
New KD3004-G1FW00A		108.416	1,280														
KD2005-UAGX00A	203	144	1,152	800	20	125	24	4.75 to 5.25	-	YES	50	50					
KD3002-KAFW00A	300	54.208	640	1,000	18	200	24	3.13 to 5.25	-	NO	100	100					
KD3003-K5FW00A		81.312	960		20												
KD3003-KAFW00A		108.416	1,280		18												
KD3004-KAGW00A		216.832	2,560		660	25							75	4.75 to 5.25	-	YES	150
KD3008-DF54A		216.832	2,560		660	25							100				

We can also develop a thermal printhead per customized specifications. Please contact a ROHM sales representative for further details.

For Large-sized, High-speed Label Printers series



■Features

This series responds to the high reliability required for industrial equipment by applying a heating element structure that supports high-speed printing, a highly durable protective film, and a structure that supports large currents.

■Applications

It is ideal for ticket machines, label printers, and food measuring instruments that are used outdoors or issue tickets continuously.

For Large-sized, High-speed Label Printers series

Part No.	Resolutions (dpi)	Print Width (mm)	Number of dot (dots)	Resistance variation (t)	Platen diameter (Max) (mm)	Print Speed (mm/s)	Print voltage (VH)	Logic Voltage (V _{cc})	Connector type	Heat sink	Abrasion life (km)	Pulse life (million pulses)
KD2002-TQFW00A	203	56	448	550	20	250	24	3.13 to 5.25	Wire Cable	YES	150	100
KD2003-TQFW00A		80	640									
KD2004-TQFW00A		104	832									
KD2006-TQFW00A		168	1,344									
KD3002-TQFW00A	300	54.2	640	850								
KD3003-TQFW00A		81.3	960									
KD3004-TQFW00A		108.4	1,280									
KD3006-TQFW00A		162.6	1,920									
New TE3004-TP1W00A		105.706	1,248	570		400						

We can also develop a thermal printhead per customized specifications. Please contact a ROHM sales representative for further details.

For Large-sized, High-speed Label Printers with The Heat historical control



■Features

These thermal printheads are ideal for barcode label printers for industrial equipment that require high print quality. This series can control the heat generation time of each heating element from the heat generation history.

■Applications

Ideal for barcode label printers used in assembly lines and distribution centers in factories that require 24-hour operation and continuous printing for a long time.

For Large-sized, High-speed Label Printers with The Heat historical control

Part No.	Resolutions (dpi)	Print Width (mm)	Number of dot (dots)	Resistance variation (t)	Platen diameter (Max) (mm)	Print Speed (mm/s)	Print voltage (VH)	Logic Voltage (V _{cc})	Connector type	Heat sink	Abrasion life (km)	Pulse life (million pulses)
KD2002-RQFW00A	203	56	448	550	20	300	24	3.13 to 5.25	Wire Cable	YES	150	100
KD2003-RQFW00A		80	640									
KD2004-RQFW00A		104	832									
KD2006-RQFW00A		168	1,344									
KD3002-RQFW00A	300	54.2	640	850								
KD3003-RQFW00A		81.3	960									
KD3004-RQFW00A		108.4	1,280									
KD3006-RQFW00A		162.6	1,920									

We can also develop a thermal printhead per customized specifications. Please contact a ROHM sales representative for further details.

For Date Code Printing



■Features

This thermal printhead is capable of high-speed printing and high-quality image quality even using a resin-based ink ribbon with excellent scratch resistance, which is considered difficult for high-speed printing.

■Applications

It contributes to improving productivity at food processing sites and logistics sites, including electronic tags used in logistics management and unmanned cash registers, environmentally friendly packaging materials and date code information required for complex logistics management.

For Date Code Printing										
Part No.	Resolutions (dpi)	Print Width (mm)	Number of dot (dots)	Resistance variation (Ω)	Platen diameter (Max) (mm)	Print Speed (mm/s)	Print voltage (VH)	Logic Voltage (V _{cc})	Connector type	Heat sink
TH3001-2P1W00A	305	31.987	384	570	50	1,000	24	3.13 to 5.25	Wire Cable	YES
TH3002-2P1W00A		53.312	640							

We can also develop a thermal printhead per customized specifications. Please contact a ROHM sales representative for further details.