

By Category PDF

Category Intelligent Power Modules

Power Devices

# Intelligent Power Modules

IGBT-IPM ————— 144

MOS-IPM ————— 144

## Intelligent Power Modules

IGBT-IPM

P.144

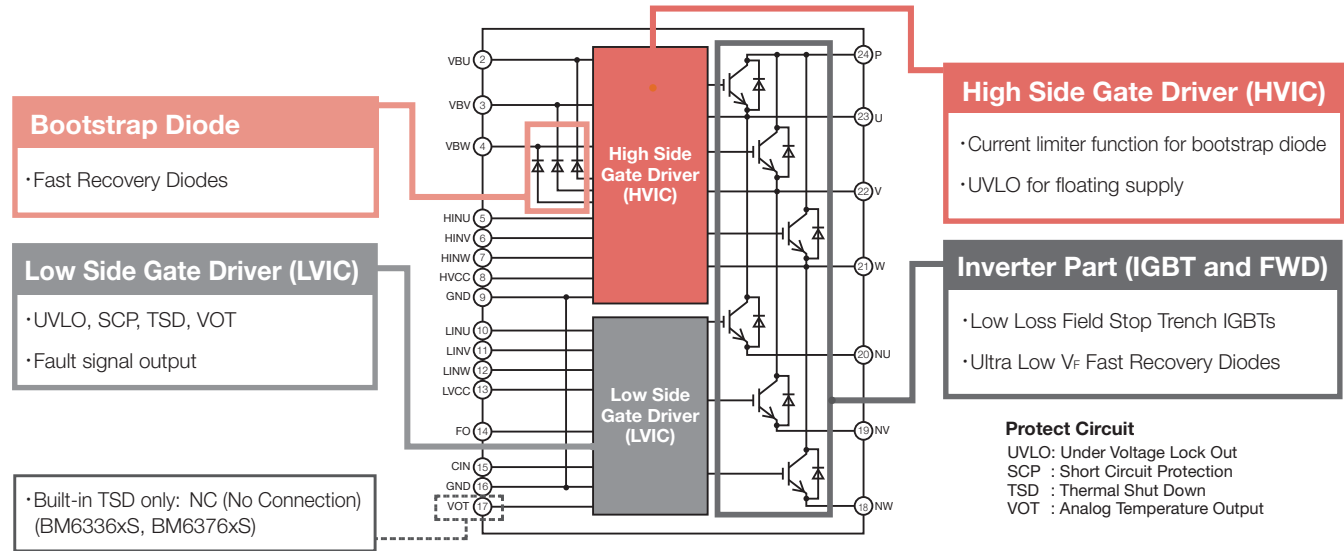
MOS-IPM

P.144

## Intelligent Power Modules

### ●Block Diagram

#### IGBT-IPM



### ●Quick Reference for Intelligent Power Modules

$V_{DS}/V_{CES}$ (V)	$I_b/I_c$ (A)	IGBT-IPM				MOS-IPM			
		Gen.2		Gen.3		Gen.1			
		Thermal Protective Function*		Thermal Protective Function*		Thermal Protective Function*			
TSD		VOT		TSD & VOT		VOT		TSD	
600	10	BM63363S-VA BM63363S-VC BM63763S-VA BM63763S-VC	BM63563S-VA BM63563S-VC BM63963S-VA BM63963S-VC	BM63373S-VA BM63373S-VC	BM63573S-VA BM63573S-VC				
	15	BM63364S-VA BM63364S-VC BM63764S-VA BM63764S-VC	BM63564S-VA BM63564S-VC BM63964S-VA BM63964S-VC	BM63374S-VA BM63374S-VC BM64374S-VA	BM63574S-VA BM63574S-VC			BM65364S-VA BM65364S-VC	
	20			BM63375S-VA BM63375S-VC BM64375S-VA	BM63575S-VA BM63575S-VC				
	30	BM63767S-VA BM63767S-VC	BM63967S-VA BM63967S-VC	BM63377S-VA BM63377S-VC BM64377S-VA	BM63577S-VA BM63577S-VC				
	35			BM64378S-VA					

\*TSD: Thermal Shut Down, VOT: Analog Temperature Output

