

By Category PDF

Category Full SiC Power Modules

Power Devices

Full SiC Power Modules

Full SiC Power Modules — 135

Full SiC Power Modules

Full SiC Power Modules

P.135

Click on the icon to access the product page on ROHM's website. Please check the website for the latest updates.

Full SiC Power Modules

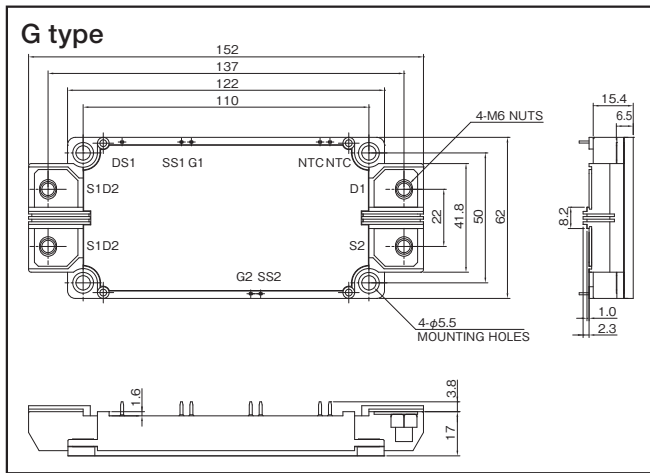
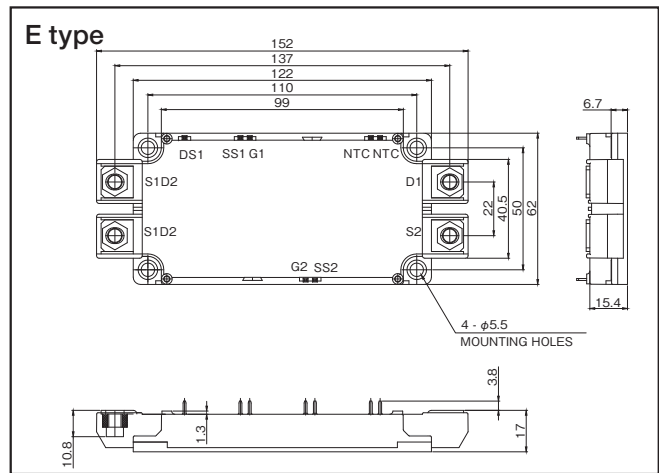
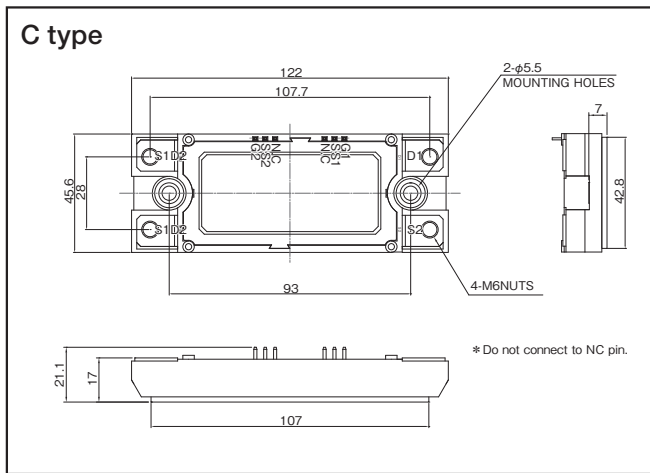
● Quick Reference for Full SiC Power Modules

V _{DSS} (V)	R _{DS(on)} (mΩ)	Case type			
		C type	E type	G type	
1,200	34	BSM080D12P2C008	9		
	20	BSM120D12P2C005 BSM120C12P2C201	10 1		
	12.8	BSM180D12P2C101	8		
	12.2			BSM180C12P2E202 BSM180D12P2E002	
	10	BSM180D12P3C007 BSM180C12P3C202	11 2		
	7.3			BSM300D12P2E001	
	6.3			BSM300C12P3E201 BSM300C12P3E301	
	5.75				BSM400D12P2G003
	5.55			BSM300D12P3E005	
	4.5				BSM400D12P3G002 BSM400C12P3G202
	4				BSM300D12P4G101
	3.3				BSM450D12P4G102
	3				BSM600D12P3G001 BSM600C12P3G201
	2.7				BSM600D12P4G103
1,700	8			BSM250D17P2E004	

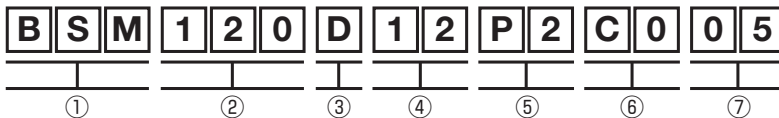
Full SiC Power Modules									
No.	Part No.	Absolute Maximum Ratings (T _J =25°C)						Package	Internal Circuit
		V _{DSS} (V)	R _{DS(on)} (mΩ)	I _D (A)	T _J (°C)	T _{stg} (°C)	Visol (V) AC 1min		
Boost chopper/Step down chopper type									
1	BSM120C12P2C201	1,200	20	120	-40 to +175	-40 to +125	2,500	C type	
2	BSM180C12P3C202		10	180	-40 to +175	-40 to +125	2,500		
3	BSM180C12P2E202		12.2	180	-40 to +175	-40 to +125	2,500	E type	
4	BSM300C12P3E201		6.3	300	-40 to +175	-40 to +125	2,500		
5	BSM400C12P3G202		4.5	400	-40 to +175	-40 to +125	2,500	G type	
6	BSM600C12P3G201		3	600	-40 to +175	-40 to +125	2,500		
7	BSM300C12P3E301		6.3	300	-40 to +175	-40 to +125	2,500	E type	
Half bridge type									
8	BSM180D12P2C101	1,200	12.8	180	-40 to +175	-40 to +125	2,500	C type	
9	BSM080D12P2C008		34	80	-40 to +175	-40 to +125	2,500		
10	BSM120D12P2C005		20	120	-40 to +175	-40 to +125	2,500		
11	BSM180D12P3C007		10	180	-40 to +175	-40 to +125	2,500	G type	
12	BSM300D12P4G101		4	300	-40 to +175	-40 to +125	2,500		
13	BSM450D12P4G102		3.3	450	-40 to +175	-40 to +125	2,500		
14	BSM600D12P4G103		2.7	600	-40 to +175	-40 to +125	2,500	E type	
15	BSM180D12P2E002		12.2	180	-40 to +175	-40 to +125	2,500		
16	BSM300D12P2E001		7.3	300	-40 to +175	-40 to +125	2,500		
17	BSM300D12P3E005		5.55	300	-40 to +175	-40 to +125	2,500	G type	
18	BSM400D12P2G003		5.75	400	-40 to +175	-40 to +125	2,500		
19	BSM400D12P3G002		4.5	400	-40 to +175	-40 to +125	2,500		
20	BSM600D12P3G001		3	600	-40 to +175	-40 to +125	2,500	E type	
21	BSM250D17P2E004		1,700	8	250	-40 to +175	-40 to +125		

Full SiC Power Modules

●Dimensions (Unit: mm)



●Part No. Explanation



- ① SiC Power Module
- ② Rated Current
- ③ C → Entering 1 circuit
D → Entering 2 circuit
- ④ Breakdown Voltage
Example 12 → 1,200V
17 → 1,700V
- ⑤ Device type
P2 2nd generation SiC MOSFET
P3 3rd generation SiC MOSFET
P4 4th generation SiC MOSFET
- ⑥ Case type
- ⑦ Additional Number