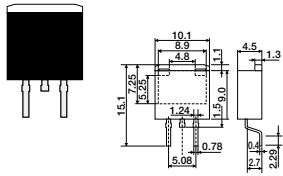


SiC Schottky Barrier Diodes

●Dimensions (Unit: mm)

Surface Mounted type

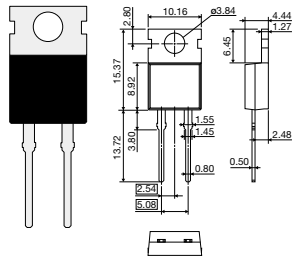
TO-263AB (LPTL)



Each lead has same dimensions

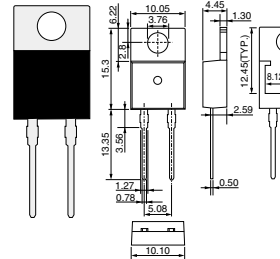
Leaded type

TO-220AC (TO-220ACGE)



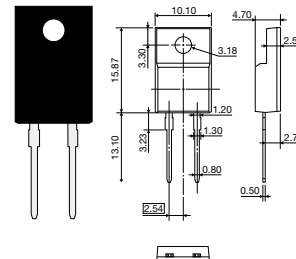
Each lead has same dimensions

TO-220AC (TO-220ACG)



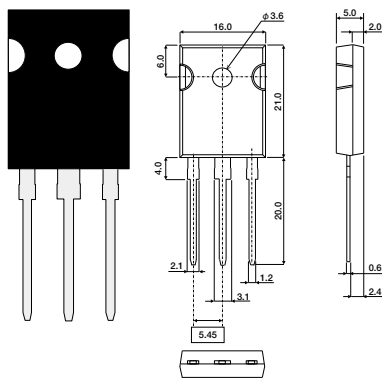
Each lead has same dimensions

TO-220FM (TO-220FM-2LGE)



Each lead has same dimensions

TO-247 (TO-247N)



Each lead has same dimensions

Note: Package is JEDEC code. (): ROHM Packages.

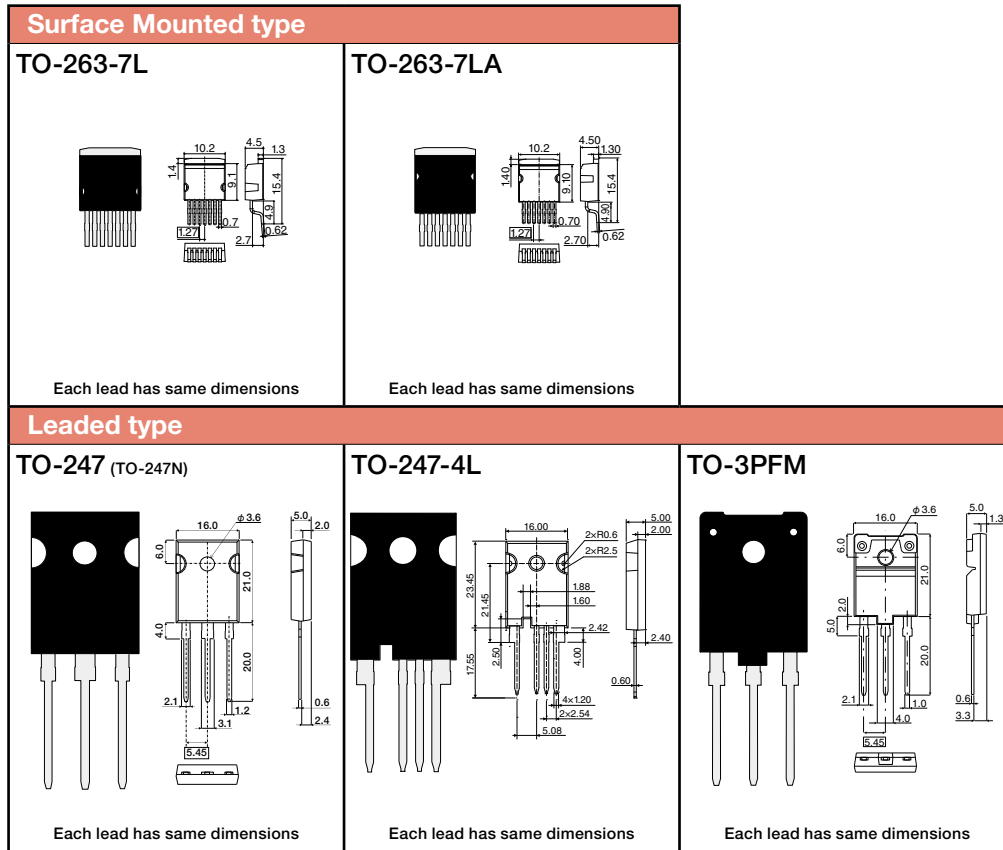
●Packaging type

Package	Code	Packaging Style	Basic Ordering Unit (pcs)
TO-263AB (LPTL)	TLL	Embossed Tape	1,000
TO-220AC (TO-220ACGE)	C16	Tube	50
TO-220AC (TO-220ACG)	C17	Tube	50
TO-220FM (TO-220FM-2LGE)	C7G	Tube	50
TO-247 (TO-247N)	C11	Tube	30

Note: Package is JEDEC code. (): ROHM Packages.

SiC MOSFETs

●Dimensions (Unit: mm)



Note: Package is JEDEC code. () : ROHM Package. < > is Packing code.

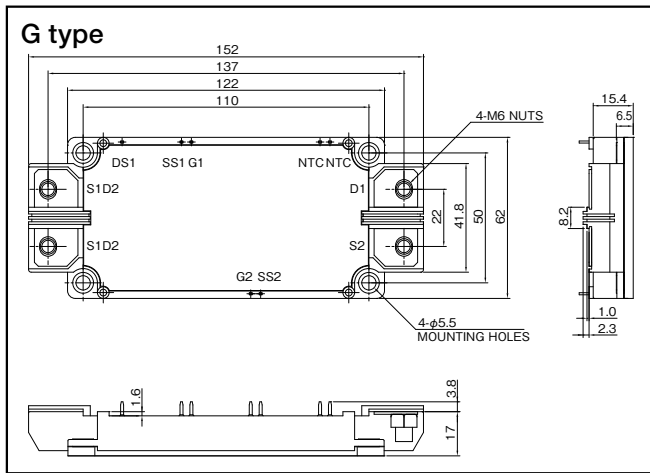
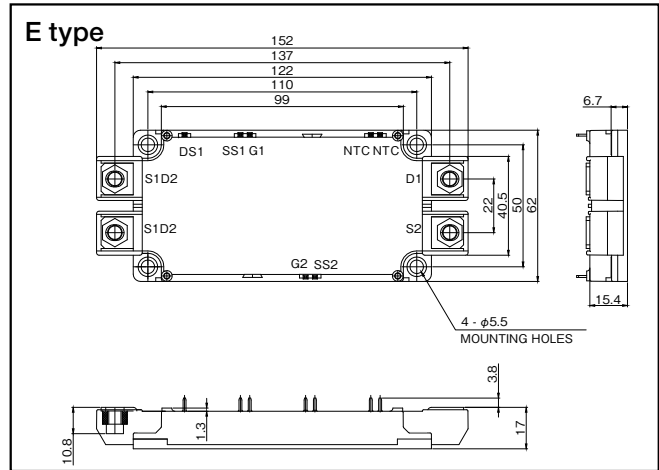
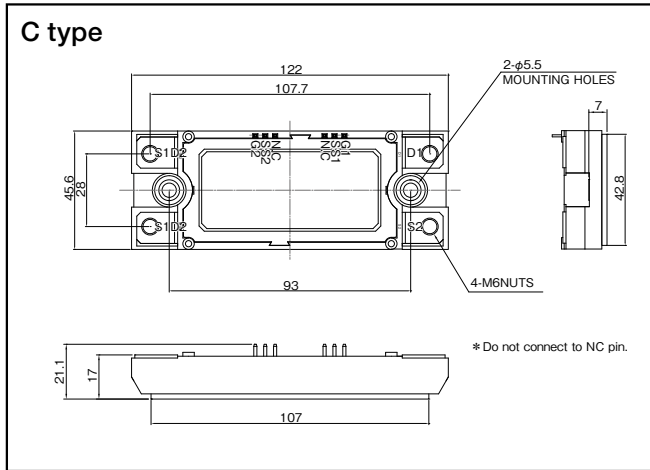
●Packaging type

Package	Code	Packaging Style	Basic Ordering Unit (pcs)
TO-263-7L TO-263-7LA	TL	Embossed Tape	1,000
TO-247 (TO-247N)	C11	Tube	30
TO-247-4L	C15	Tube	30
TO-3PFM	C11	Tube	30

Note: Package is JEDEC code. () : ROHM Package.

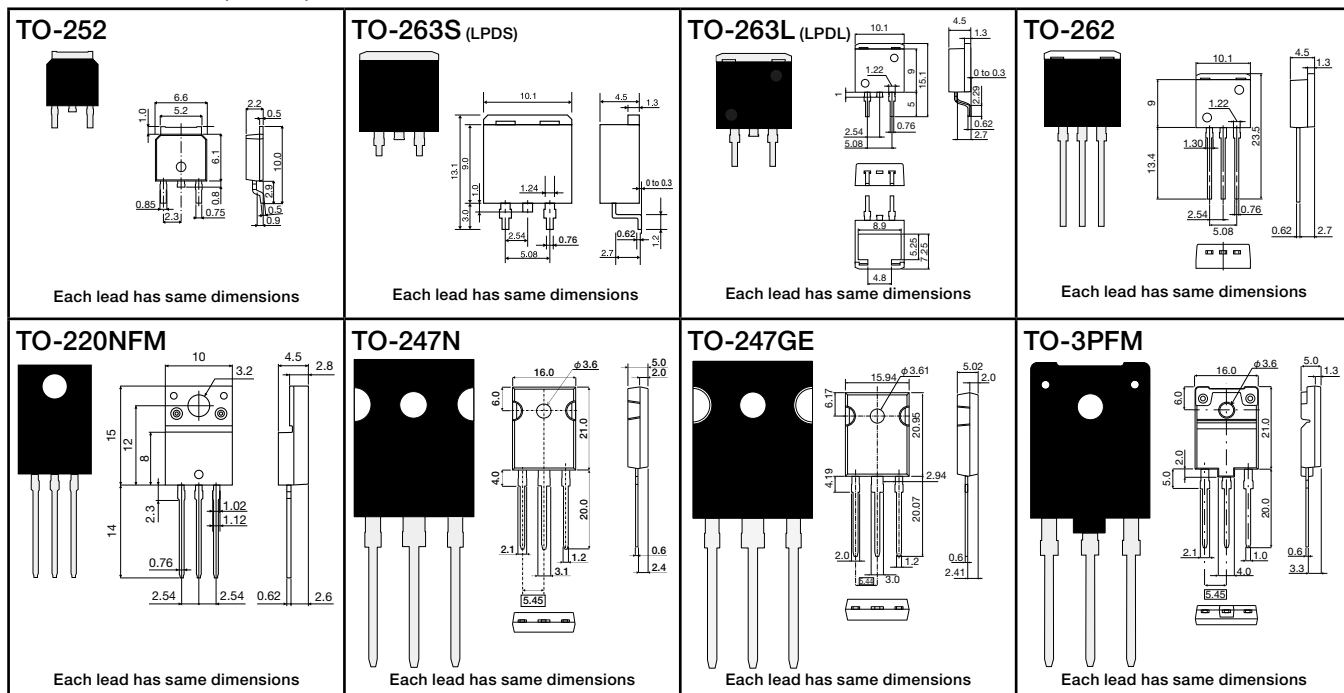
Full SiC Power Modules

●Dimensions (Unit: mm)



IGBTs

●Dimensions (Unit: mm)



Note: Package is JEDEC code. () : ROHM Packages.

●Packaging type

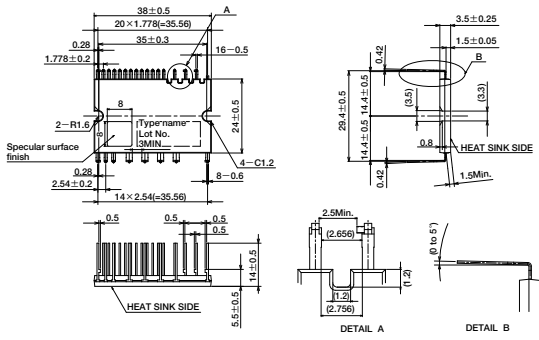
Package	Code	Packaging Style	Basic Ordering Unit (pcs)
TO-252	TL	Embossed tape	2,500
TO-263S (LPDS)	TL	Embossed tape	1,000
TO-263L (LPDL)	TL	Embossed tape	1,000
TO-262	C9	Tube	50
TO-220NFM	C9	Tube	50
TO-247N	C11	Tube	30
TO-247GE	C13	Tube	30
TO-3PFM	C11	Tube	30

Note: Package is JEDEC code. () : ROHM Packages

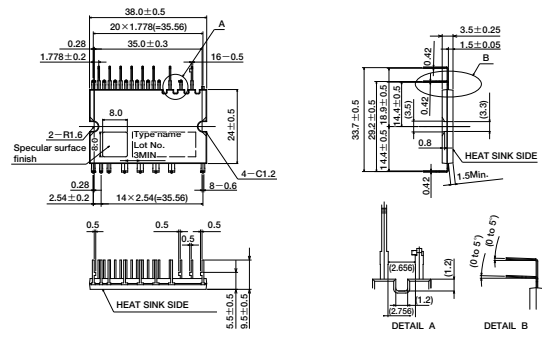
Intelligent Power Modules

●Dimensions (Unit: mm)

HSDIP25 (Long pin type)



HSDIP25VC (Staggered type)



Notice

- 1) The information contained in this document is intended to introduce ROHM Group (hereafter referred to as ROHM) products. When using ROHM products, please verify the latest specifications or datasheets before use.
- 2) ROHM products are designed and manufactured for use in general electronic equipment and applications (such as Audio Visual equipment, Office Automation equipment, telecommunication equipment, home appliances, amusement devices, etc.) or specified in the datasheets. Therefore, please contact the ROHM sales representative before using ROHM products in equipment or devices requiring extremely high reliability and whose failure or malfunction may cause danger or injury to human life or body or other serious damage (such as medical equipment, transportation, traffic, aircraft, spacecraft, nuclear power controllers, fuel control, automotive equipment including car accessories, etc. hereafter referred to as Specific Applications). Unless otherwise agreed in writing by ROHM in advance, ROHM shall not be in any way responsible or liable for any damages, expenses, or losses incurred by you or third parties arising from the use of ROHM Products for Specific Applications.
- 3) Electronic components, including semiconductors, can fail or malfunction at a certain rate. Please be sure to implement, at your own responsibilities, adequate safety measures including but not limited to fail-safe design against physical injury, and damage to any property, which a failure or malfunction of products may cause.
- 4) The information contained in this document, including application circuit examples and their constants, is intended to explain the standard operation and usage of ROHM products, and is not intended to guarantee, either explicitly or implicitly, the operation of the product in the actual equipment it will be used. As a result, you are solely responsible for it, and you must exercise your own independent verification and judgment in the use of such information contained in this document. ROHM shall not be in any way responsible or liable for any damages, expenses, or losses incurred by you or third parties arising from the use of such information.
- 5) When exporting ROHM products or technologies described in this document to other countries, you must abide by the procedures and provisions stipulated in all applicable export laws and regulations, such as the Foreign Exchange and Foreign Trade Act and the US Export Administration Regulations, and follow the necessary procedures in accordance with these provisions.
- 6) The technical information and data described in this document, including typical application circuits, are examples only and are not intended to guarantee to be free from infringement of third parties intellectual property or other rights. ROHM does not grant any license, express or implied, to implement, use, or exploit any intellectual property or other rights owned or controlled by ROHM or any third parties with respect to the information contained herein.
- 7) No part of this document may be reprinted or reproduced in any form by any means without the prior written consent of ROHM.
- 8) All information contained in this document is current as of the date of publication and subject to change without notice. Before purchasing or using ROHM products, please confirm the latest information with the ROHM sales representative.
- 9) ROHM does not warrant that the information contained herein is error-free. ROHM shall not be in any way responsible or liable for any damages, expenses, or losses incurred by you or third parties resulting from errors contained in this document.
- 10) The information contained in this document is current as of December 1st, 2023.

[Compliance to RoHS Directive]

All of the products comply with the RoHS Directive.
With the exception of specific exemptions granted under the RoHS Directive and naturally occurring impurities, the products conform to control limits on the six substances regulated by the RoHS Directive (lead, cadmium, mercury, hexavalent chromium, PBB, and PBDE). Indicates that the product's terminals and electrodes contain no lead. The products internal components other than those specifically exempted under the RoHS Directive. It should not be construed as guarantee of compliance with laws and regulations enacted by EU member states in response to the RoHS Directive.