

# Featured Products



Short-range wireless communication supports the liberization of power services (in Japan)

## All-Purpose Modules for Wi-SUN B Route/HAN

BP35A1 Series

\*ROHM April 2017 Survey

### Wi-SUN-Compatible Specified Low Power Wireless Modules

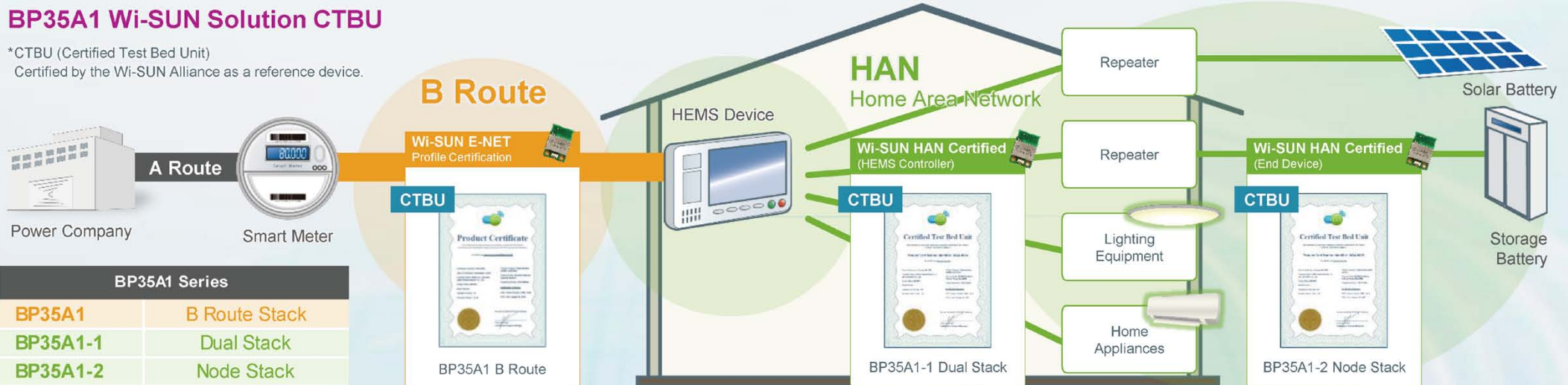
- Class-leading\* reception sensitivity
- Built-in antenna eliminates the need for high-frequency designs
- MAC address already written
- Wi-SUN firmware included
- Radio Law certified (Japan)



BP35A1 Series

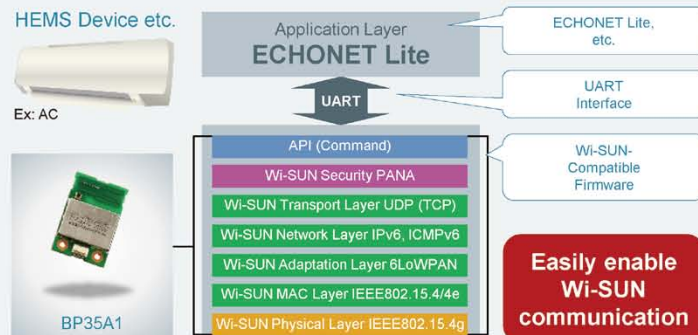
### BP35A1 Wi-SUN Solution CTBU

\*CTBU (Certified Test Bed Unit)  
Certified by the Wi-SUN Alliance as a reference device.

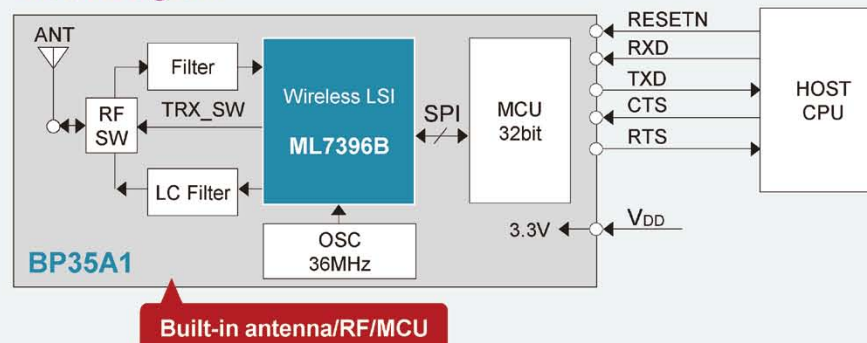


BP35A1 Series	
BP35A1	B Route Stack
BP35A1-1	Dual Stack
BP35A1-2	Node Stack

## Software Stack



## Block Diagram

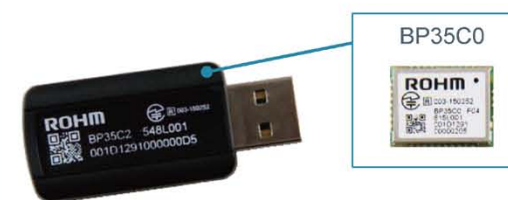


## Firmware Lineup

Part No.	B Route		HAN			Remarks
	Coordinator	Device	Coordinator	Relay	Device	
<b>BP35A1</b> (B Route Stack)	✓	✓	—	—	—	In Production
<b>BP35A1-1</b> (Dual Stack)	✓	✓	✓	—	—	Under Development
<b>BP35A1-2</b> (Node Stack)	—	—	✓	✓	✓	Under Development

BP35A1: B Route Communication  
 BP35A1-1: HEMS Gateway  
 BP35A1-2: HEMS Node

**BP35C2 USB dongle offered with built-in BP35C0**



## Lineup

Part No.	Supply Voltage (V)	Operating Temperature (°C)	Host CPU I/F	Compatible Standards	Built-In System LSI	Dimensions (mm)	Package
<b>BP3596A</b>	2.7 to 3.6 (Single power supply)	-30 to +80	SPI/DIO	IEEE802.15.4g	ML7396B (LAPIS Semiconductor)	22.0×34.7×3.5	Connector mounting type: 20pin, 0.4mm pitch
<b>BP35A1</b>	2.7 to 3.6 (Single power supply)	-20 to +80	UART	Wi-SUN	ML7396B (LAPIS Semiconductor)	22.0×33.5×4.0	Connector mounting type: 20pin, 0.5mm pitch
<b>New</b> <b>BP35C0</b>	2.7 to 3.6 (Single power supply)	-30 to +80	UART	Wi-SUN	ML7416N (LAPIS Semiconductor)	15.0×19.0×3.0	SMD: 28pin, 1.27mm pitch
<b>New</b> <b>BP35C2</b>	5.0 (Single power supply)	-20 to +50	USB	Wi-SUN	ML7416N (LAPIS Semiconductor)	21.4×53.7×8.5	USB Dongle

The content specified in this document is correct as of April 1st, 2017.

The content specified herein is for the purpose of introducing ROHM's products (hereinafter "Products"). If you wish to use any such Product, please be sure to refer to the specifications, which can be obtained from ROHM upon request. Great care was taken in ensuring the accuracy of the information specified in this document. However, should you incur any damage arising from any inaccuracy or misprint of such information, ROHM shall bear no responsibility for such damage. The technical information specified herein is intended only to show the typical functions of and examples of application circuits for the Products. ROHM does not grant you, explicitly or implicitly, any license to use or exercise intellectual property or other rights held by ROHM and other parties. ROHM shall bear no responsibility whatsoever for any dispute arising from the use of such technical information. If you intend to export or ship overseas any Product or technology specified herein that may be controlled under the Foreign Exchange and the Foreign Trade Law, you will be required to obtain a license or permit under the Law.



**ROHM Co., Ltd.**

21 Sain Mizosaki-cho, Ukyo-ku,  
Kyoto 615-8585 Japan

www.rohm.com