









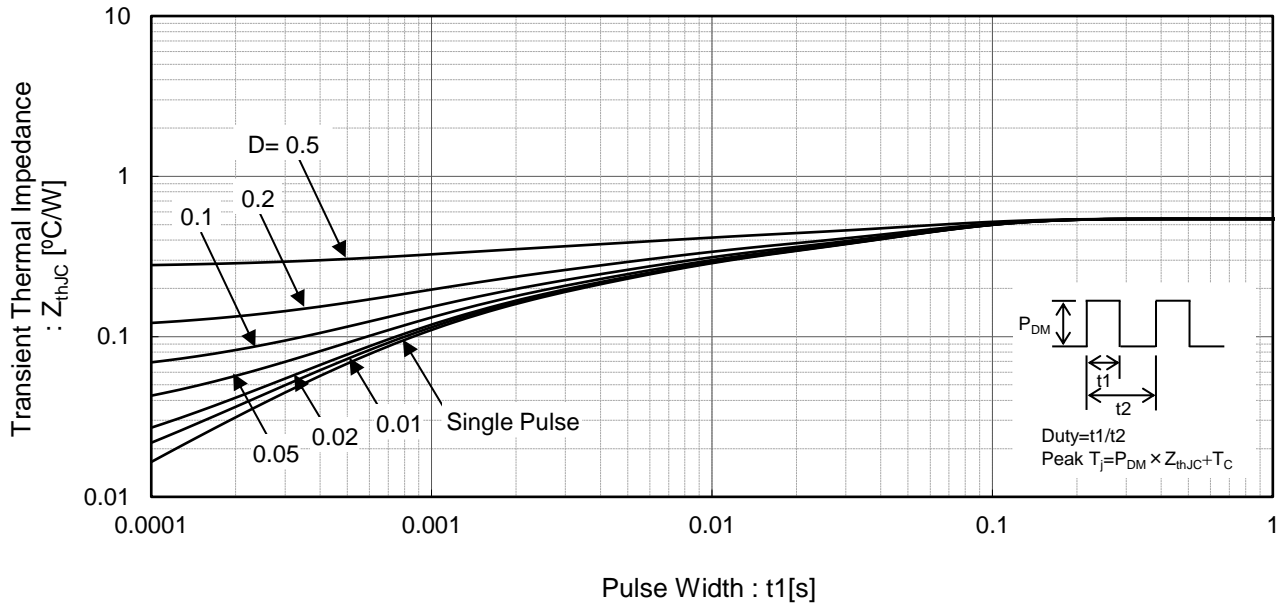






●Electrical Characteristic Curves

Fig.17 IGBT Transient Thermal Impedance





● Inductive Load Switching Circuit and Waveform

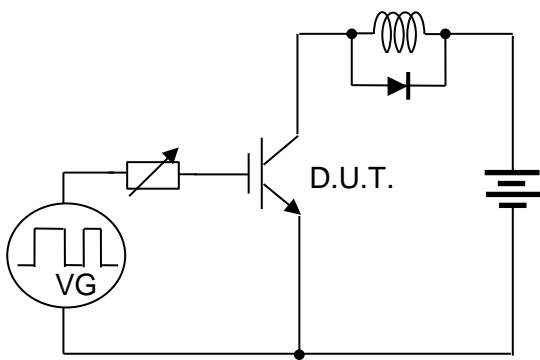


Fig.18 Inductive Load Circuit

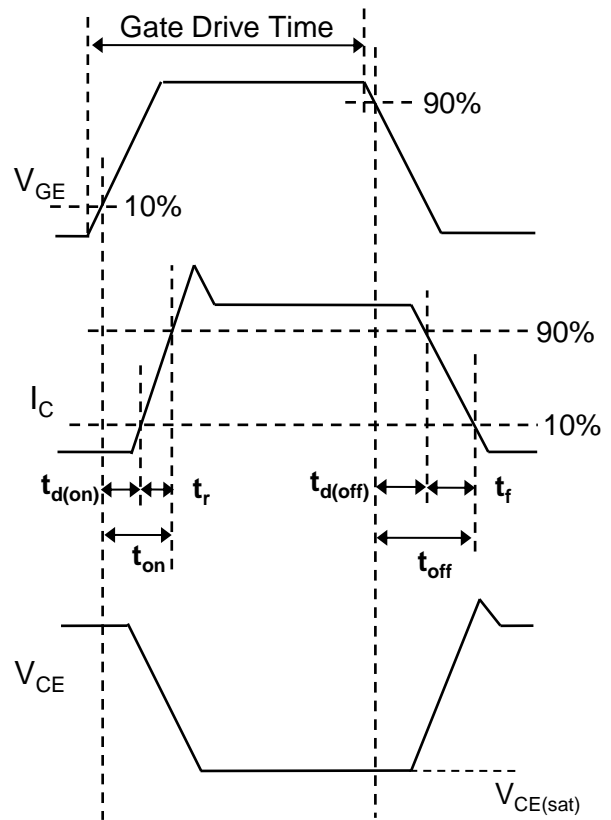


Fig.19 Inductive Load Waveform