























● Inductive Load Switching Circuit and Waveform

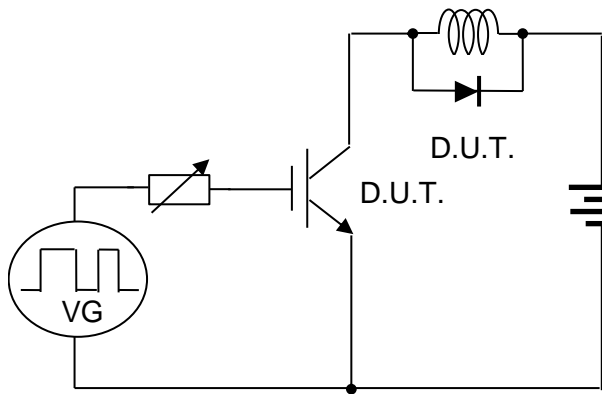


Fig.23 Inductive Load Circuit

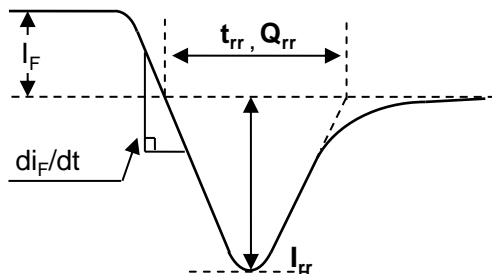


Fig.25 Diode Reverse Recovery Waveform

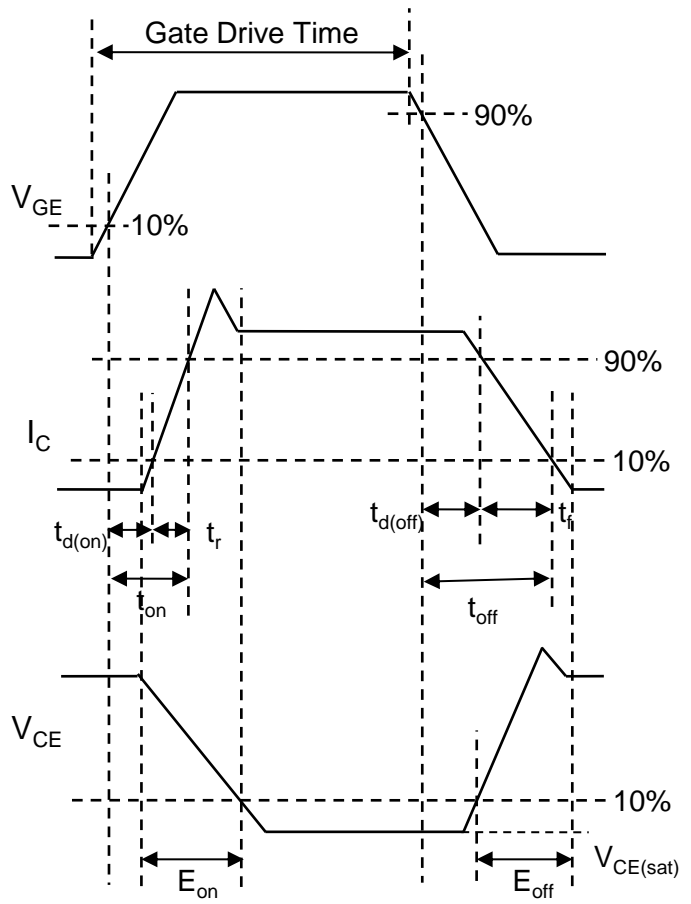


Fig.24 Inductive Load Waveform