

# Automotive IPD 1ch Low Side Switch

## BV1LB025FPJ-C

### Features

- Built-in Dual TSD\*1
- AEC-Q100 Qualified\*2
- Built-in Over Current Protection Function(OCP)
- Built-in Active Clamp Function
- Direct Control Enabled from CMOS Logic IC, etc.
- On Resistance  $R_{DS(ON)} = 25 \text{ m}\Omega$  (Typ)  
(when  $V_{IN} = 5 \text{ V}$ ,  $I_{OUT} = 2.4 \text{ A}$ ,  $T_j = 25 \text{ }^\circ\text{C}$ )
- Monolithic Power Management IC with the Control Block (CMOS) and Power MOS FET Mounted on a Single Chip

\*1 This IC has thermal shutdown (Junction temperature detect) and  $\Delta T_j$  Protection (Power-MOS steep temperature rising detect).

\*2 Grade1

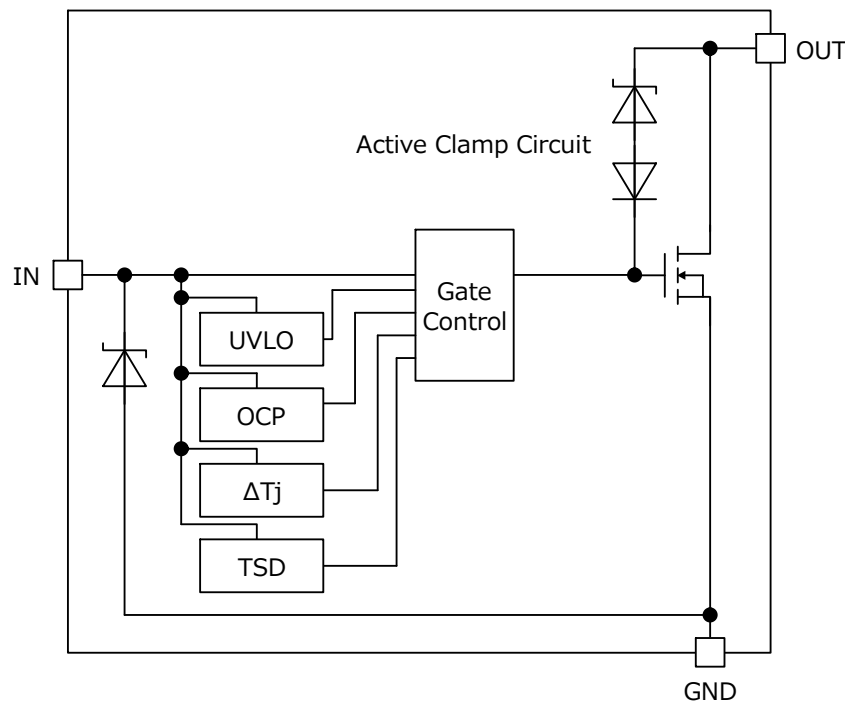
### General Description

BV1LB025FPJ-C is 1ch low side switch IC for 12 V automotive applications. It has built-in OCP, Dual TSD and Active Clamp function.

### Application

- Driving Resistive, Inductive and Capacitive Load

### Block Diagram



### Key Specifications

On-state Resistance ( $T_j = 25 \text{ }^\circ\text{C}$ , Typ)	25 m $\Omega$
Over Current Limitation Level ( $T_j = 25 \text{ }^\circ\text{C}$ , Typ)	40 A
Output Clamp Voltage (Min)	40 V
Active Clamp Energy ( $T_{j(START)} = 25 \text{ }^\circ\text{C}$ )	450 mJ

### Package

TO252-J3

### W (Typ) x D (Typ) x H (Max)

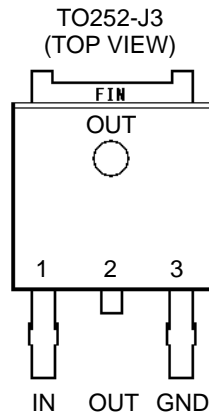
6.6 mm x 10.1mm x 2.5 mm



# Contents

Features.....	1
General Description .....	1
Application .....	1
Key Specifications.....	1
Package .....	1
Block Diagram.....	1
Contents .....	2
Pin Configuration.....	3
Pin Description .....	3
Definition .....	3
Absolute Maximum Ratings.....	4
Thermal Resistance .....	5
Recommended Operating Conditions.....	9
Electrical Characteristics.....	9
Typical Performance Curves .....	11
Measurement Circuit for Typical Performance Curves .....	16
I/O Pin Truth Table .....	18
Timing Chart.....	19
Function Description .....	20
Operational Notes.....	21
Ordering Information .....	23
Marking Diagram.....	23
Physical Dimension and Packing Information.....	24
Revision History .....	25

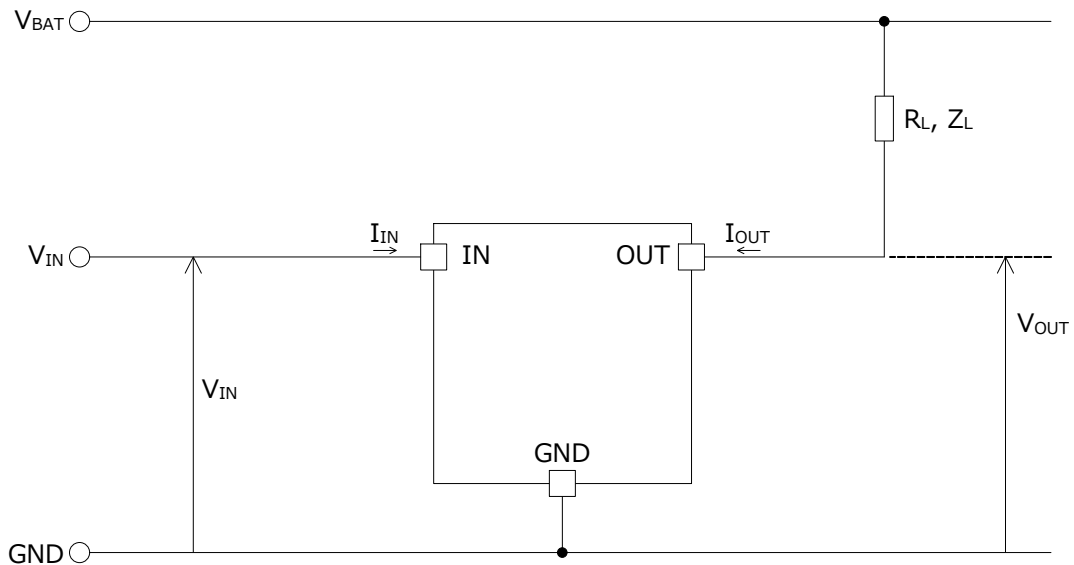
Pin Configuration



Pin Description

Pin No.	Pin Name	Function
1	IN	Input pin, with internal pull-down resistor.
2	OUT	Output pin. When output pin shorted to battery and output current exceeding the over current detection value, output current will be limited to protect IC.
3	GND	GND pin.
4(FIN)	OUT	Output pin. When output pin shorted to battery and output current exceeding the over current detection value, output current will be limited to protect IC.

Definition



**Absolute Maximum Ratings**

Parameter	Symbol	Ratings	Unit
Output Voltage	V <sub>OUT</sub>	-0.3 to +40	V
Input Voltage	V <sub>IN</sub>	-0.3 to +7	V
Output Current	I <sub>OUT</sub>	27 (inside limited) <sup>*1</sup>	A
Active Clamp Energy (Single Pulse) T <sub>J(START)</sub> = 25 °C, I <sub>OUT(START)</sub> = 4.0 A	E <sub>AS(25 °C)</sub>	450	mJ
Active Clamp Energy (Single Pulse) T <sub>J(START)</sub> = 150 °C, I <sub>OUT(START)</sub> = 4.0 A <sup>*2</sup>	E <sub>AS(150 °C)</sub>	110	
Storage Temperature Range	T <sub>stg</sub>	-55 to +150	°C
Maximum Junction Temperature	T <sub>jmax</sub>	150	°C

\*1 Internally limited by over current protection function.

\*2 Not 100 % tested.

**Caution 1:** Operating the IC over the absolute maximum ratings may damage the IC. The damage can either be a short circuit between pins or an open circuit between pins and the internal circuitry. Therefore, it is important to consider circuit protection measures, such as adding a fuse, in case the IC is operated over the absolute maximum ratings.

**Caution 2:** Should by any chance the maximum junction temperature rating be exceeded the rise in temperature of the chip may result in deterioration of the properties of the chip. In case of exceeding this absolute maximum rating, design a PCB with thermal resistance taken into consideration by increasing board size and copper area so as not to exceed the maximum junction temperature rating.

**Caution 3:** When IC turns off with an inductive load, reverse energy has to be dissipated in the IC. This energy can be calculated by the following equation:

$$E_L = \frac{1}{2} L I_{OUT(START)}^2 \times \left( 1 - \frac{V_{BAT}}{V_{BAT} - V_{OUT(CL)}} \right)$$

Where:

L is the inductance of the inductive load.

I<sub>OUT(START)</sub> is the output current at the time of turning off.

V<sub>OUT(CL)</sub> is the output clamp voltage.

The IC integrates the active clamp function to internally absorb the reverse energy E<sub>L</sub> which is generated when the inductive load is turned off. When the active clamp operates, the thermal shutdown function does not work. Decide a load so that the reverse energy E<sub>L</sub> is active clamp tolerance E<sub>AS</sub> (refer to Figure 1.) or under when inductive load is used.

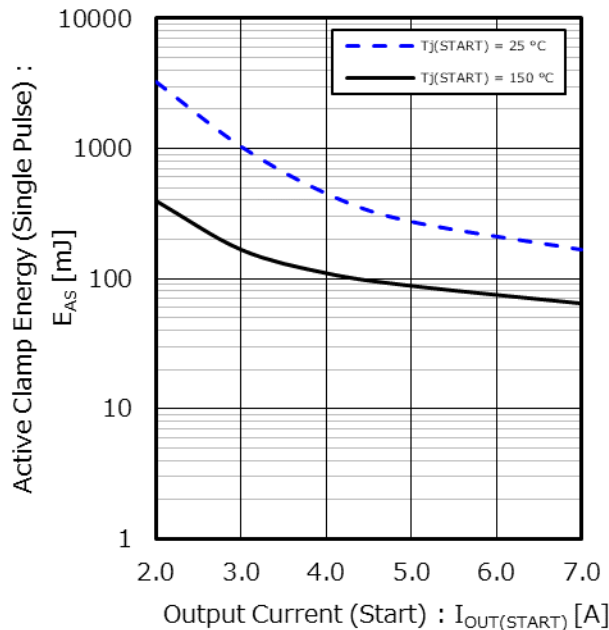


Figure 1. Active Clamp Energy (Single Pulse) vs Output Current (Start)

**Thermal Resistance\*1**

Parameter	Symbol	Typ	Unit	Condition
TO252-J3				
Between Junction and Surroundings Temperature Thermal Resistance	$\theta_{JA}$	111.5	°C/W	1s *2
		26.9	°C/W	2s *3
		19.0	°C/W	2s2p *4

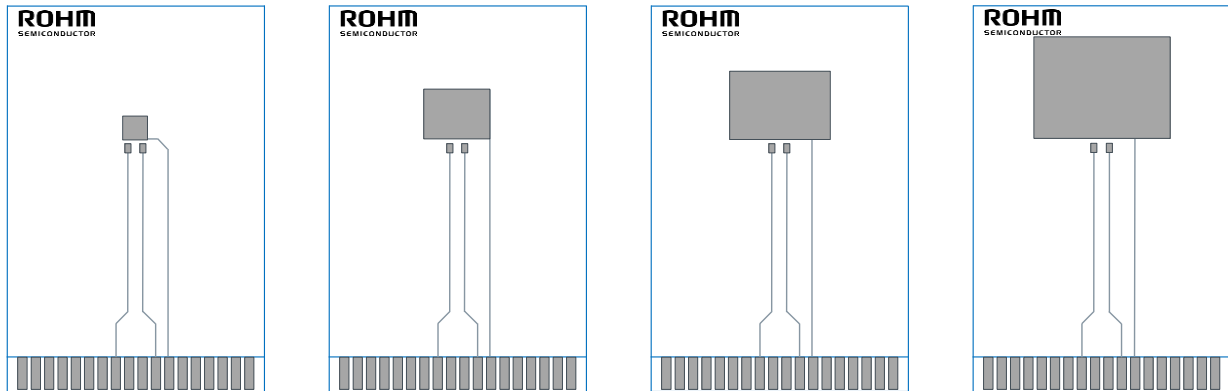
\*1 The thermal impedance is based on JESD51-2A (Still-Air) standard. It is used the chip of BV1LB025FPJ-C.

\*2 JESD51-3 standard FR4 114.3 mm x 76.2 mm x 1.57 mm 1-layer (1s)  
 (Top copper foil: ROHM recommended Footprint + wiring to measure, 2 oz. copper.)

\*3 JESD51-5 standard FR4 114.3 mm x 76.2 mm x 1.60 mm 2-layers (2s)  
 (Top copper foil: ROHM recommended Footprint + wiring to measure/  
 Copper foil area on the reverse side of PCB: 74.2 mm x 74.2 mm,  
 copper (top & reverse side) 2 oz.)

\*4 JESD51-5, 7 standard FR4 114.3 mm x 76.2 mm x 1.60 mm 4-layers (2s2p)  
 (Top copper foil: ROHM recommended Footprint + wiring to measure/  
 2 inner layers and copper foil area on the reverse side of PCB: 74.2 mm x 74.2 mm,  
 copper (top & reverse side/inner layers) 2 oz./1 oz.)

■ PCB Layout 1 layer (1s)



Footprint

300 mm<sup>2</sup>

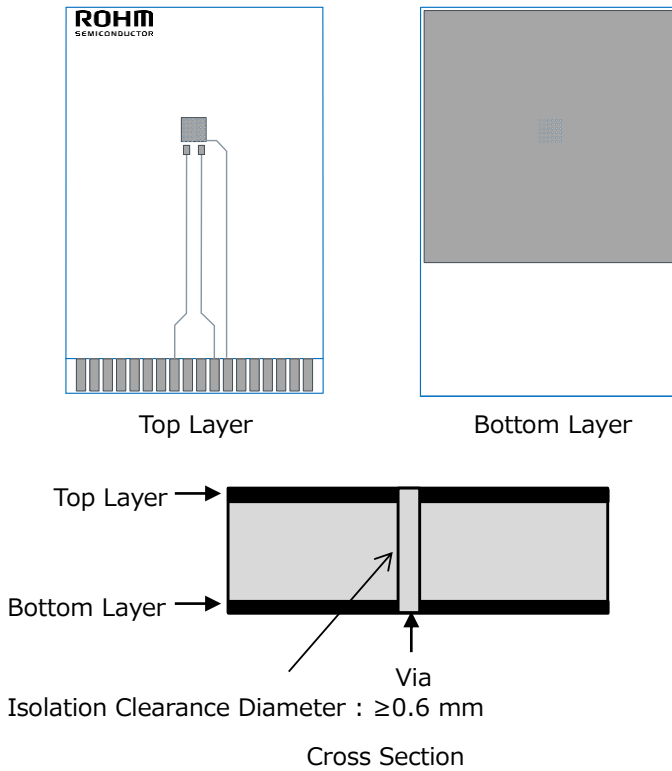
600 mm<sup>2</sup>

1200 mm<sup>2</sup>

Dimension	Value
Board Finish Thickness	1.57 mm ± 10 %
Board Dimension	76.2 mm x 114.3 mm
Board Material	FR4
Copper Thickness (Top Layer)	0.070 mm (Cu : 2 oz)
Copper Foil Area Dimension	Footprint / 300 mm <sup>2</sup> / 600 mm <sup>2</sup> / 1200 mm <sup>2</sup>

Thermal Resistance – continued

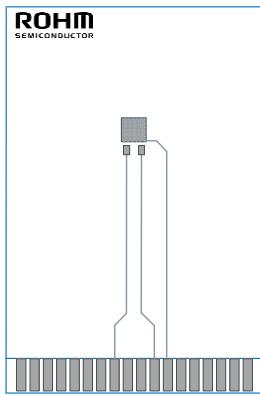
- PCB Layout 2 layers (2s)



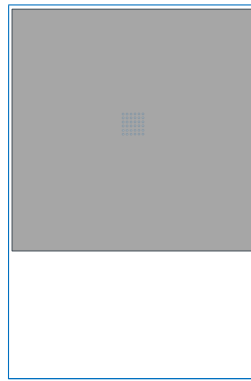
Dimension	Value
Board Finish Thickness	1.60 mm $\pm$ 10 %
Board Dimension	76.2 mm x 114.3 mm
Board Material	FR4
Copper Thickness (Top / Bottom Layers)	0.070 mm (Cu +Plating)
Thermal Vias Separation/Diameter	1.2 mm / 0.3 mm

Thermal Resistance – continued

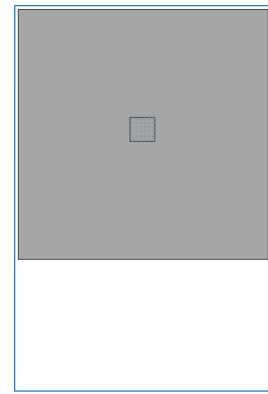
- PCB Layout 4 layers (2s2p)



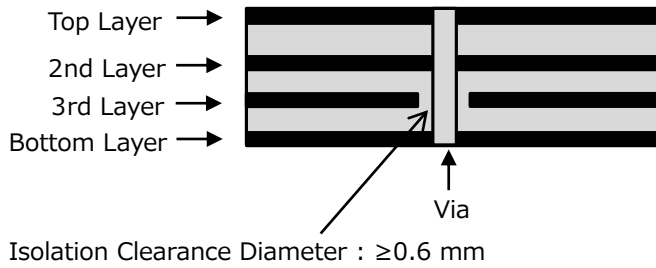
TOP Layer



2nd/Bottom Layers



3rd Layer

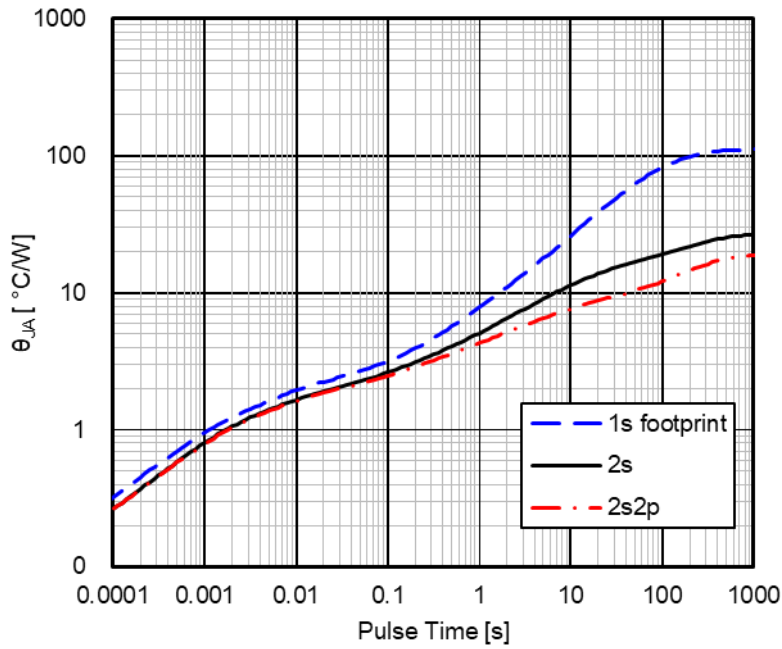


Cross Section

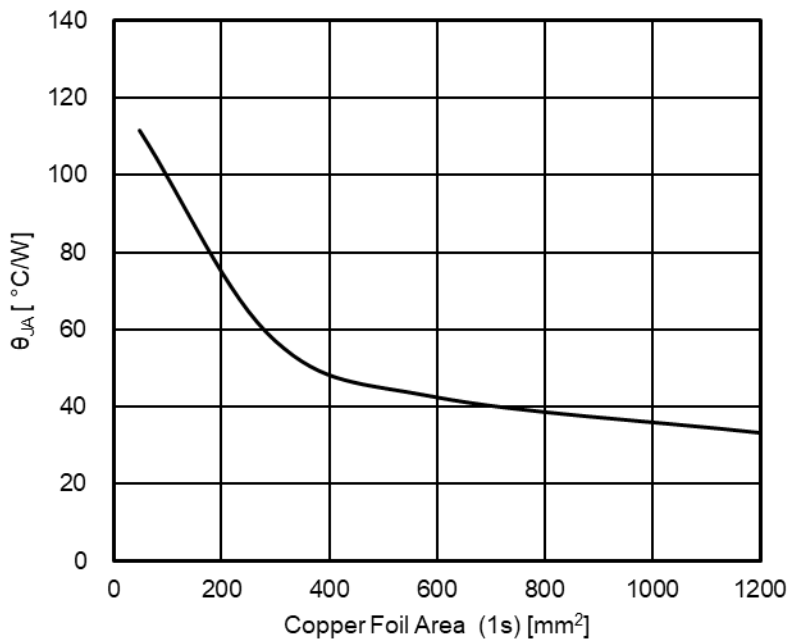
Dimension	Value
Board Finish Thickness	1.60 mm $\pm$ 10 %
Board Dimension	76.2 mm x 114.3 mm
Board Material	FR4
Copper Thickness (Top / Bottom Layers)	0.070 mm (Cu + Plating)
Copper Thickness (Inner Layers)	0.035 mm
Thermal Vias Separation / Diameter	1.2 mm / 0.3 mm

**Thermal Resistance – continued**

- Transient Thermal Resistance (Single Pulse)



- Thermal Resistance ( $\theta_{JA}$  vs Copper foil area (1s))





## Recommended Operating Conditions

Parameter	Symbol	Min	Typ	Max	Unit
Input Voltage	$V_{IN}$	3.0	5.0	5.5	V
Operating Temperature	$T_j$	-40	+25	+150	°C

## Electrical Characteristics

(Unless otherwise specified,  $-40\text{ °C} \leq T_j \leq +150\text{ °C}$ )

Parameter	Symbol	Min	Typ	Max	Unit	Conditions
Input (IN)						
Input Threshold Voltage	$V_{IN(TH)}$	1.5	-	3.0	V	-
High Level Input Current 1	$I_{IN(H1)}$	-	100	200	$\mu\text{A}$	$V_{IN} = 5\text{ V}$ , in Normal Operation
High Level Input Current 2 <sup>*1 *2</sup>	$I_{IN(H2)}$	-	-	500	$\mu\text{A}$	$V_{IN} = 5\text{ V}$ , in Abnormal Operation
Low Level Input Current	$I_{IN(L)}$	-10	0	+10	$\mu\text{A}$	$V_{IN} = 0\text{ V}$
Power MOS Output						
On-state Resistance	$R_{DS(ON)}$	-	25	32.5	$\text{m}\Omega$	$V_{IN} = 5\text{ V}$ , $I_{OUT} = 2.4\text{ A}$ , $T_j = 25\text{ °C}$
	$R_{DS(ON)}$	-	-	62.5	$\text{m}\Omega$	$V_{IN} = 5\text{ V}$ , $I_{OUT} = 2.4\text{ A}$ , $T_j = 150\text{ °C}$
Leak Current	$I_{OUT(L)}$	-	0.0	0.5	$\mu\text{A}$	$V_{IN} = 0\text{ V}$ , $V_{OUT} = 18\text{ V}$ , $T_j = 25\text{ °C}$
	$I_{OUT(L)}$	-	-	8.0	$\mu\text{A}$	$V_{IN} = 0\text{ V}$ , $V_{OUT} = 18\text{ V}$ , $T_j = 150\text{ °C}$
Output Clamp Voltage	$V_{OUT(CL)}$	40	43	46	V	$V_{IN} = 0\text{ V}$ , $I_{OUT} = 1\text{ mA}$
Turn-ON Time	$t_{ON}$	20	40	80	$\mu\text{s}$	$V_{IN} = 0\text{ V to } 5\text{ V}$ , $R_L = 4.7\ \Omega$ , $V_{BAT} = 12\text{ V}$ , $T_j = 25\text{ °C}$
Turn-OFF Time	$t_{OFF}$	32	65	130	$\mu\text{s}$	$V_{IN} = 5\text{ V to } 0\text{ V}$ , $R_L = 4.7\ \Omega$ , $V_{BAT} = 12\text{ V}$ , $T_j = 25\text{ °C}$
Slew Rate On	$SR_{ON}$	0.15	0.30	0.60	$\text{V}/\mu\text{s}$	$V_{IN} = 0\text{ V to } 5\text{ V}$ , $R_L = 4.7\ \Omega$ , $V_{BAT} = 12\text{ V}$ , $T_j = 25\text{ °C}$
Slew Rate Off	$SR_{OFF}$	0.15	0.30	0.60	$\text{V}/\mu\text{s}$	$V_{IN} = 5\text{ V to } 0\text{ V}$ , $R_L = 4.7\ \Omega$ , $V_{BAT} = 12\text{ V}$ , $T_j = 25\text{ °C}$
DC Output Current <sup>*2</sup>	$I_{OUT(DC)}$	-	7.4	-	A	JEDEC 2s2p PCB, $T_j < 150\text{ °C}$ , $T_a < 85\text{ °C}$ , $R_{DS(ON)} = 62.5\ \text{m}\Omega$

\*1 When thermal shutdown function or over current protection function is ON.

\*2 Not 100 % tested.

## Electrical Characteristics – continued

(Unless otherwise specified,  $-40\text{ °C} \leq T_j \leq +150\text{ °C}$ )

Parameter	Symbol	Min	Typ	Max	Unit	Conditions
Protection Function						
Over Current Limitation Level	$I_{OUT(LIM)}$	27	40	53	A	$V_{IN} = 5\text{ V}$ , $T_j = 25\text{ °C}$ , $V_{OUT} = 12\text{ V}$
Battery Voltage for Short Circuit Protection <sup>*2</sup>	$V_{BAT(SC)}$	-	-	21	V	Cond. 1: $V_{IN} = 5\text{ V}$ , $Z_{L1} = 30\text{ m}\Omega$ and $\leq 6\text{ }\mu\text{H}$ Cond. 2: $V_{IN} = 5\text{ V}$ , $Z_{L2} = 110\text{ m}\Omega$ and $\leq 10\text{ }\mu\text{H}$
Thermal Shutdown Detected Temperature <sup>*2</sup>	$T_{TSDD}$	150	175	-	°C	$V_{IN} = 5\text{ V}$
Thermal Shutdown Released Temperature <sup>*2</sup>	$T_{TSDR}$	130	155	-	°C	$V_{IN} = 5\text{ V}$
Thermal Shutdown Hysteresis Temperature <sup>*2</sup>	$T_{TSDHYS}$	-	20	-	°C	$V_{IN} = 5\text{ V}$
$\Delta T_j$ Protection Detected Temperature <sup>*2</sup>	$T_{DTJD}$	-	80	-	°C	$V_{IN} = 5\text{ V}$
$\Delta T_j$ Protection Released Temperature <sup>*2</sup>	$T_{DTJR}$	-	45	-	°C	$V_{IN} = 5\text{ V}$
$\Delta T_j$ Protection Hysteresis Temperature <sup>*2</sup>	$T_{DTJHYS}$	-	35	-	°C	$V_{IN} = 5\text{ V}$

\*2 Not 100 % tested.

Typical Performance Curves

(Unless otherwise specified,  $T_j = 25\text{ }^\circ\text{C}$ ,  $V_{IN} = 5\text{ V}$ )

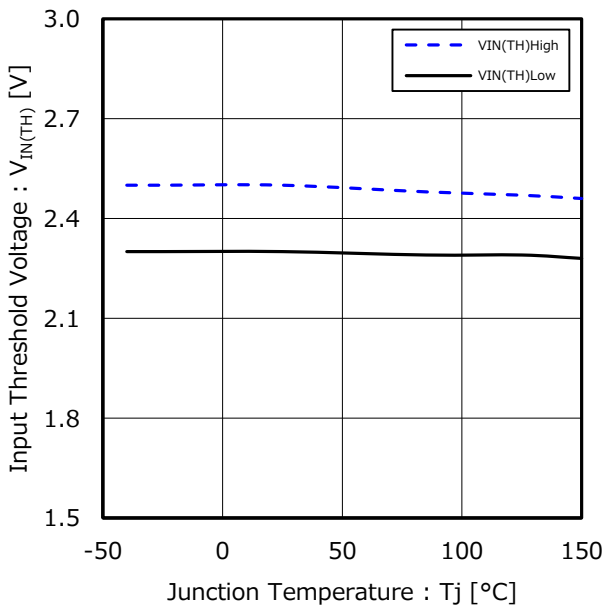


Figure 2. Input Threshold Voltage vs Junction Temperature

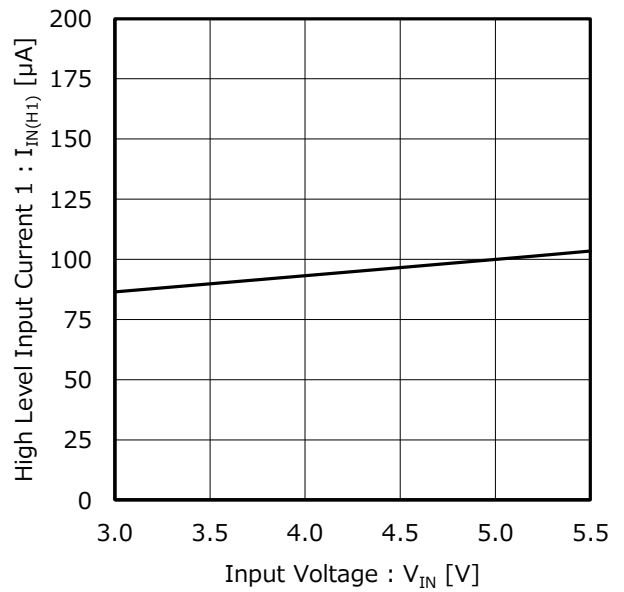


Figure 3. High Level Input Current 1 vs Input Voltage

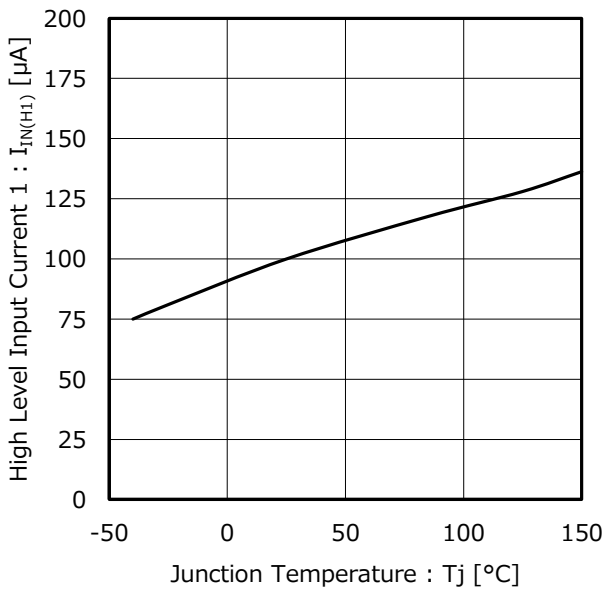


Figure 4. High Level Input Current 1 vs Junction Temperature

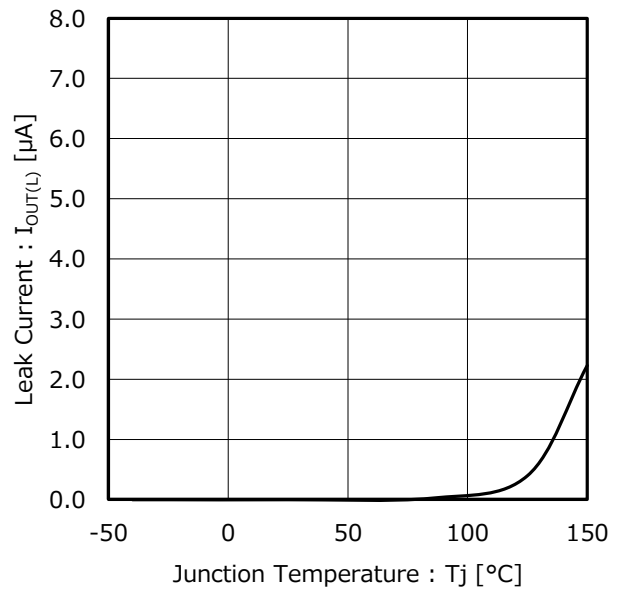


Figure 5. Leak Current vs Junction Temperature

Typical Performance Curves – continued (Unless otherwise specified,  $T_j = 25\text{ }^\circ\text{C}$ ,  $V_{IN} = 5\text{ V}$ )

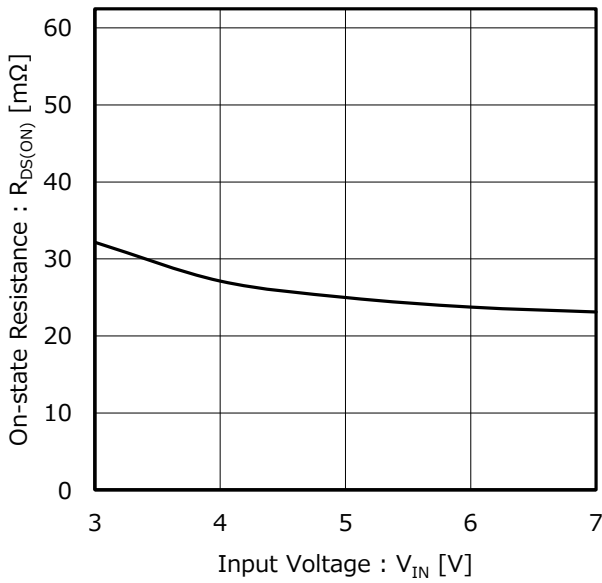


Figure 6. On-state Resistance vs Input Voltage

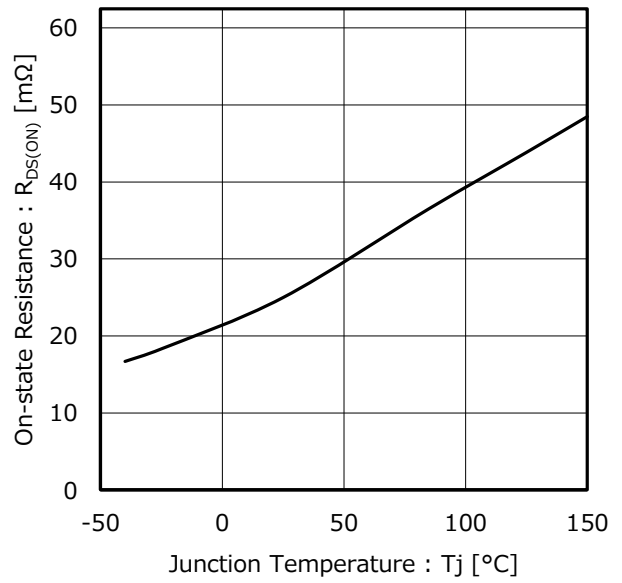


Figure 7. On-state Resistance vs Junction Temperature

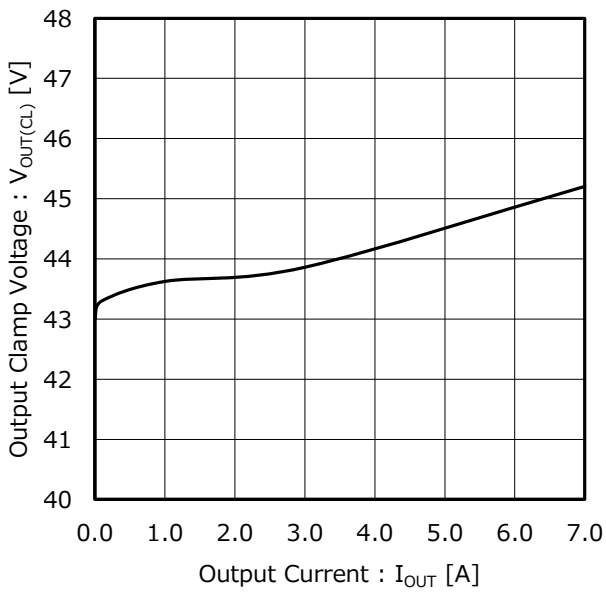


Figure 8. Output Clamp Voltage vs Output Current

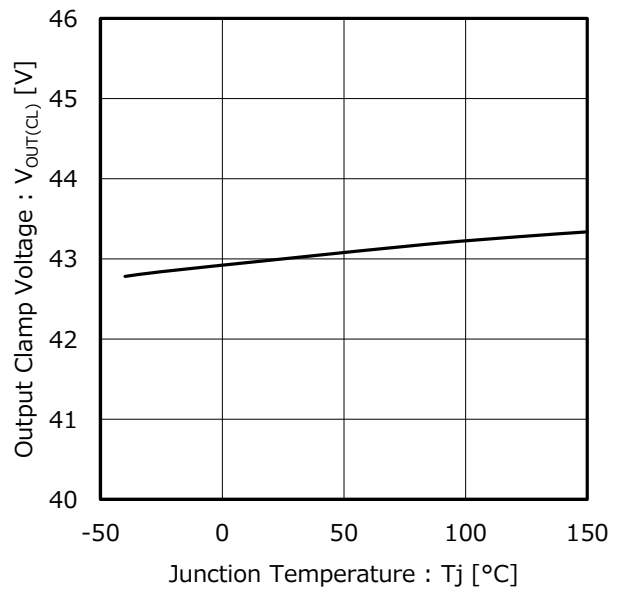


Figure 9. Output Clamp Voltage vs Junction Temperature ( $I_{OUT} = 1\text{ mA}$ )

Typical Performance Curves – continued (Unless otherwise specified,  $T_j = 25\text{ }^\circ\text{C}$ ,  $V_{IN} = 5\text{ V}$ )

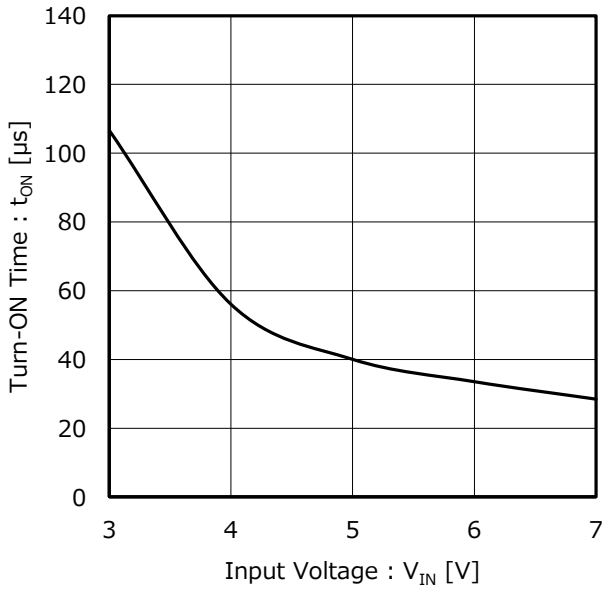


Figure 10. Turn-ON Time vs Input Voltage

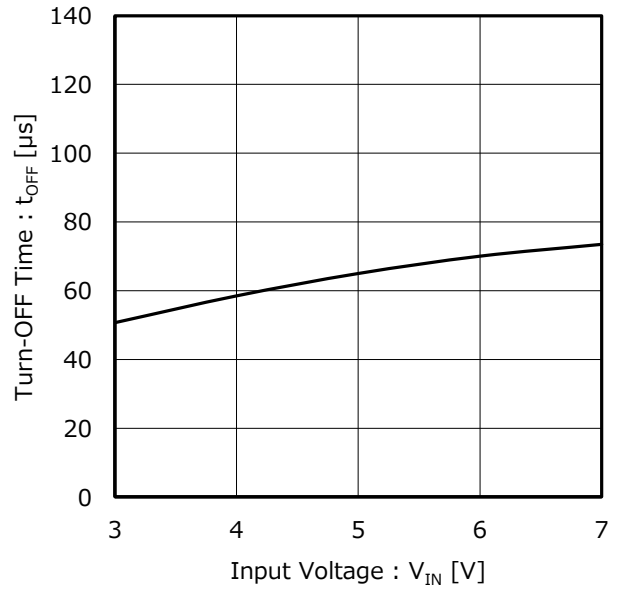


Figure 11. Turn-OFF Time vs Input Voltage

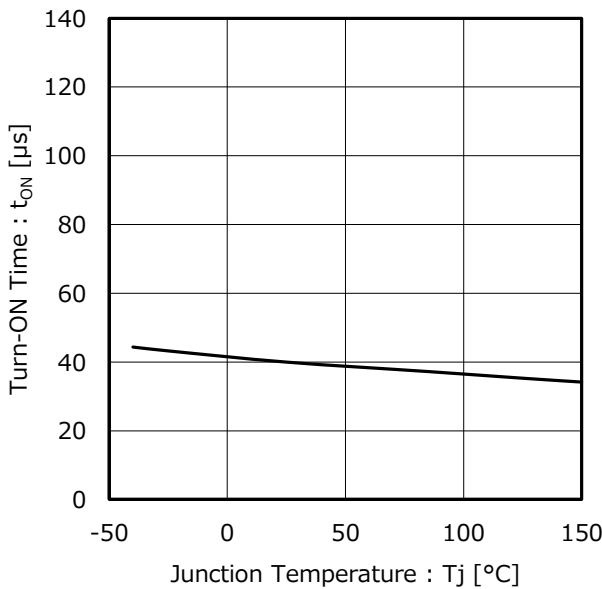


Figure 12. Turn-ON Time vs Junction Temperature

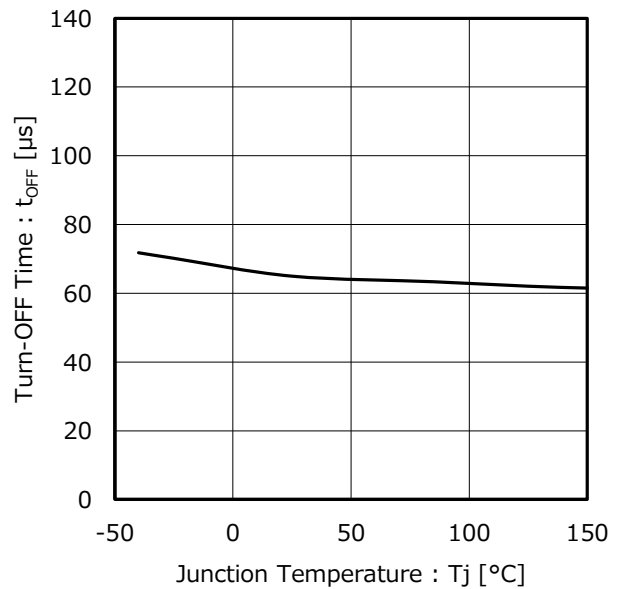


Figure 13. Turn-OFF Time vs Junction Temperature

Typical Performance Curves – continued (Unless otherwise specified,  $T_j = 25\text{ }^\circ\text{C}$ ,  $V_{IN} = 5\text{ V}$ )

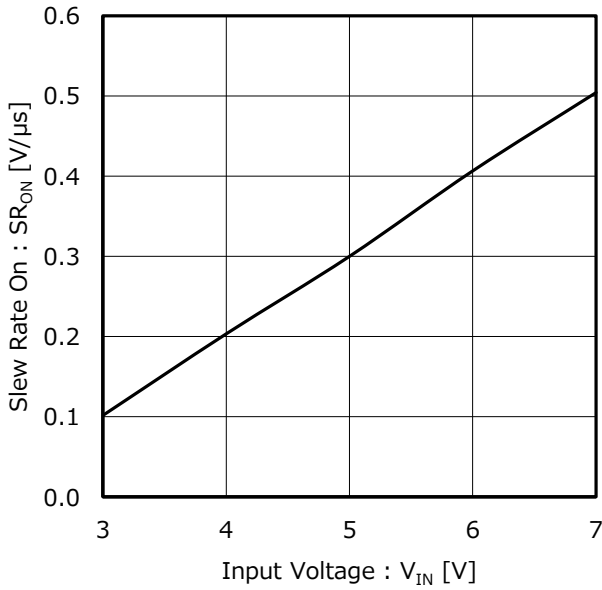


Figure 14. Slew Rate On vs Input Voltage

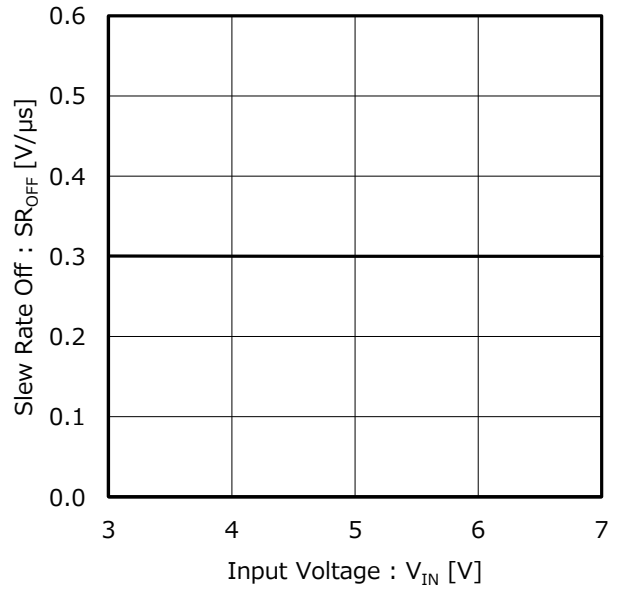


Figure 15. Slew Rate Off vs Input Voltage

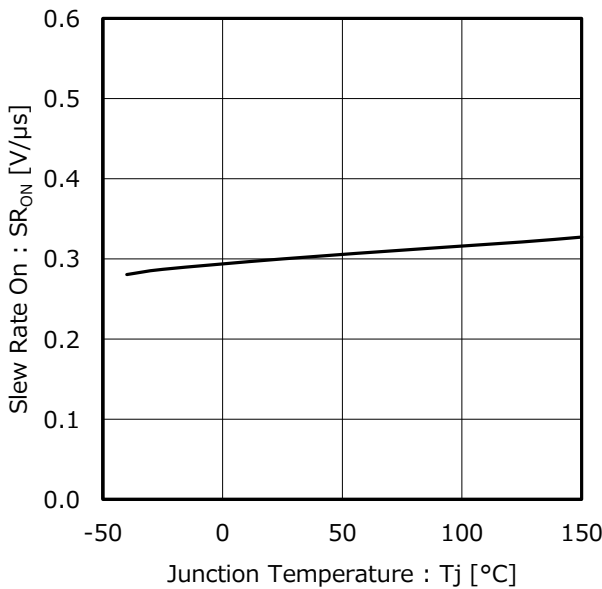


Figure 16. Slew Rate On vs Junction Temperature

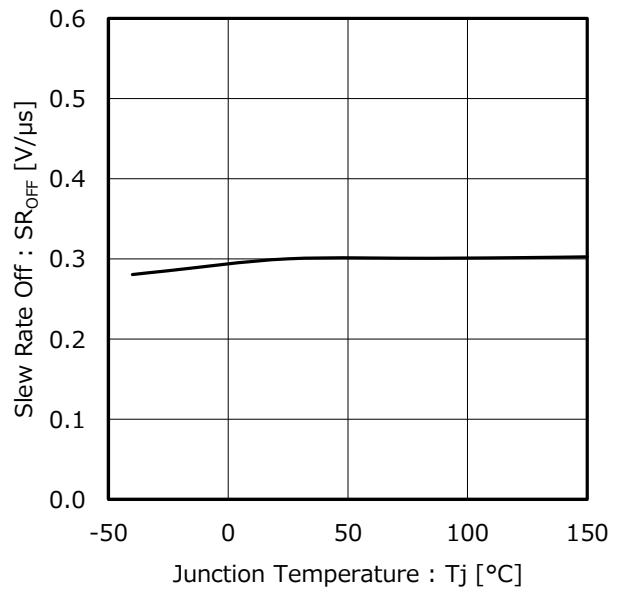


Figure 17. Slew Rate Off vs Junction Temperature

Typical Performance Curves – continued (Unless otherwise specified,  $T_j = 25\text{ }^\circ\text{C}$ ,  $V_{IN} = 5\text{ V}$ )

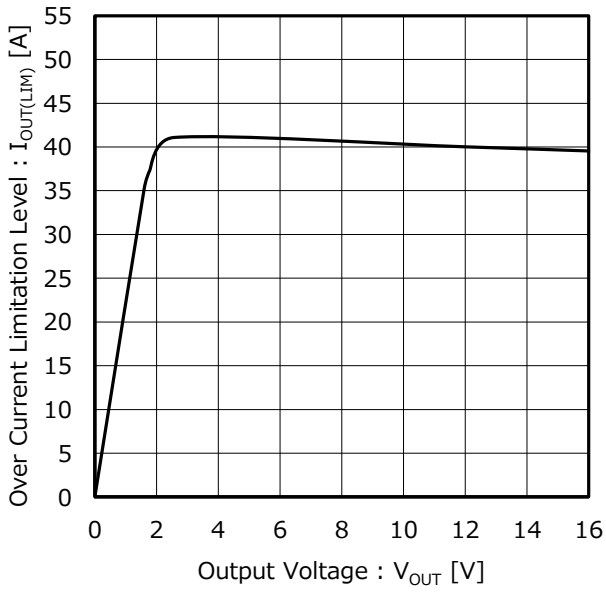


Figure 18. Over Current Limitation Level vs Output Voltage

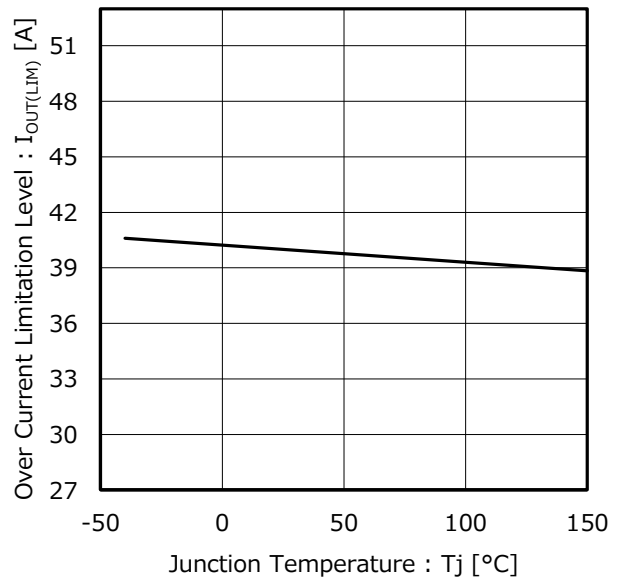
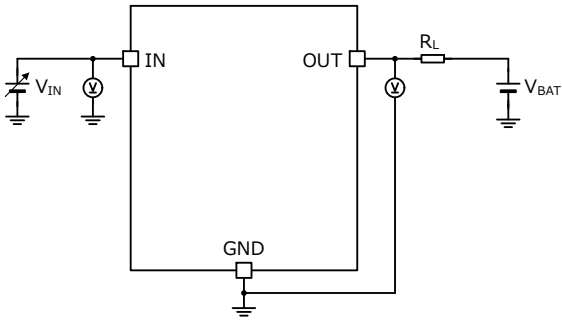
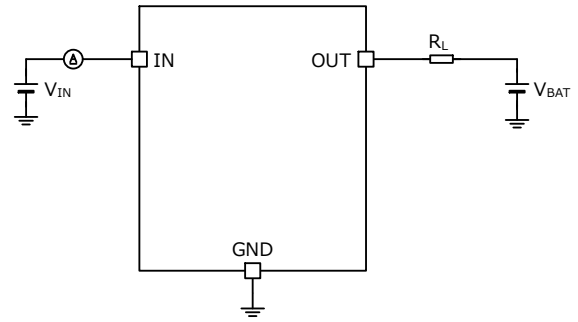


Figure 19. Over Current Limitation Level vs Junction Temperature ( $V_{OUT} = 12\text{ V}$ )

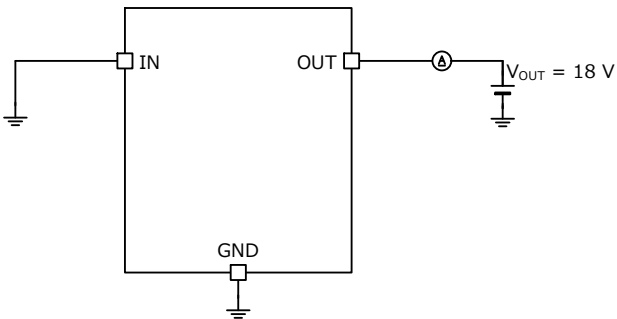
Measurement Circuit for Typical Performance Curves



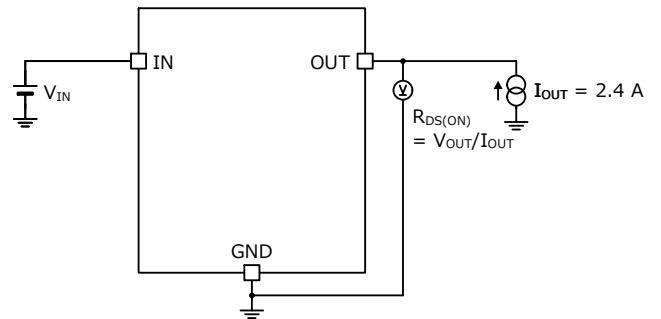
Measurement Circuit for Figure 2



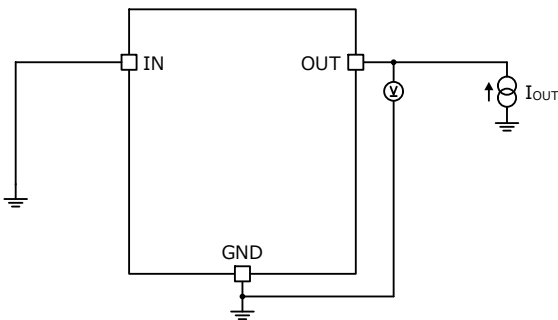
Measurement Circuit for Figure 3, Figure 4



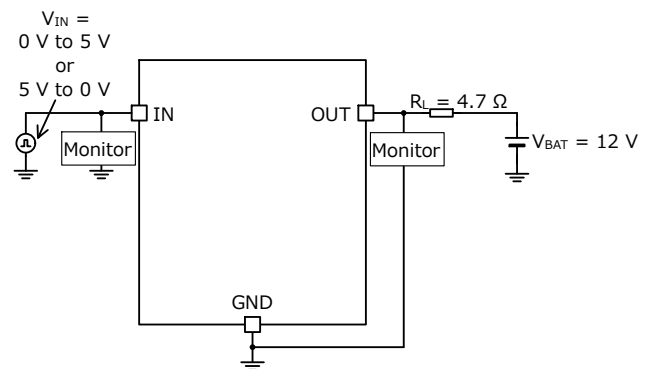
Measurement Circuit for Figure 5



Measurement Circuit for Figure 6, Figure 7



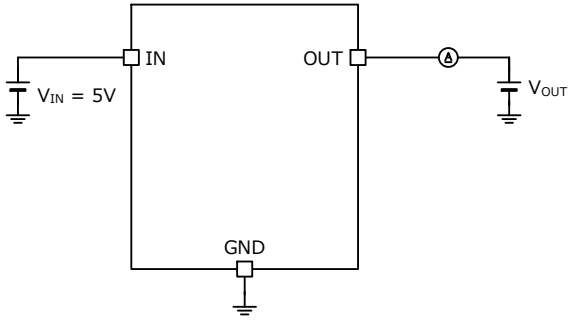
Measurement Circuit for Figure 8, Figure 9



Measurement Circuit for Figure 10, Figure 11, Figure 12, Figure 13, Figure 14, Figure 15, Figure 16, Figure 17



Measurement Circuit for Typical Performance Curves – continued



Measurement Circuit for Figure 18, Figure 19

I/O Pin Truth Table

$V_{IN}$	State of Protection Function	$V_{OUT}$
Low	-	High
High	Normal	Low
	OCP	Current Limitation
	$\Delta T_j$	High
	TSD	High

Timing Chart

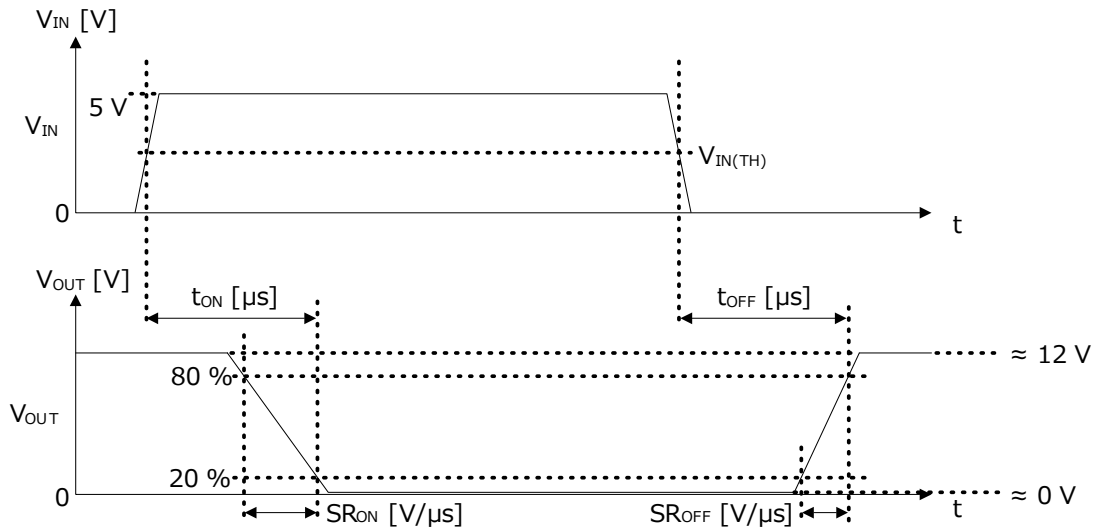


Figure 20. Definition of Turn-ON Time, Turn-OFF Time, and Slew Rate

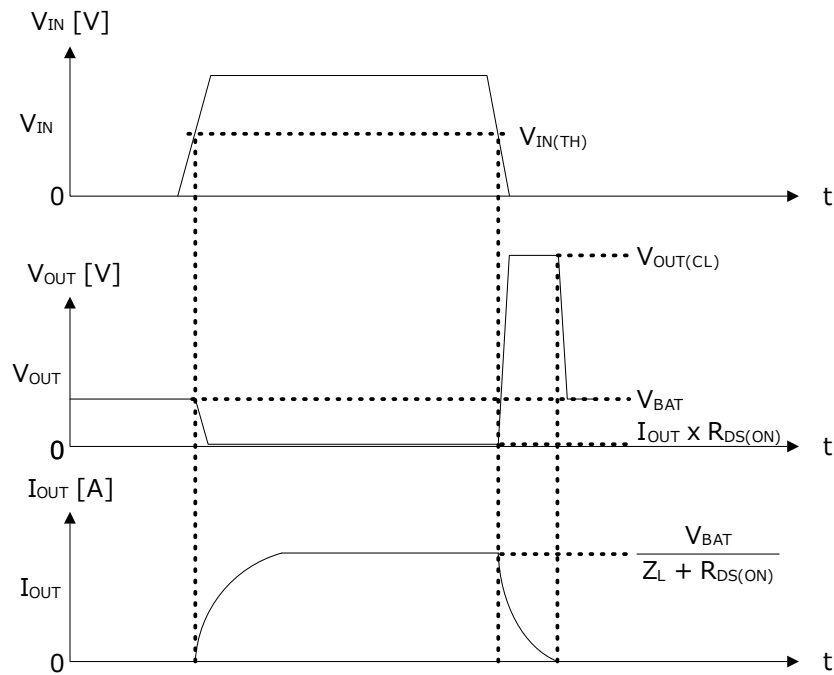


Figure 21. Inductive Load Operation

Function Description

Over Current Protection Function and Dual TSD Function

This IC has OCP function and Dual TSD function. Following shows the behavior when the OUT pin short circuit.

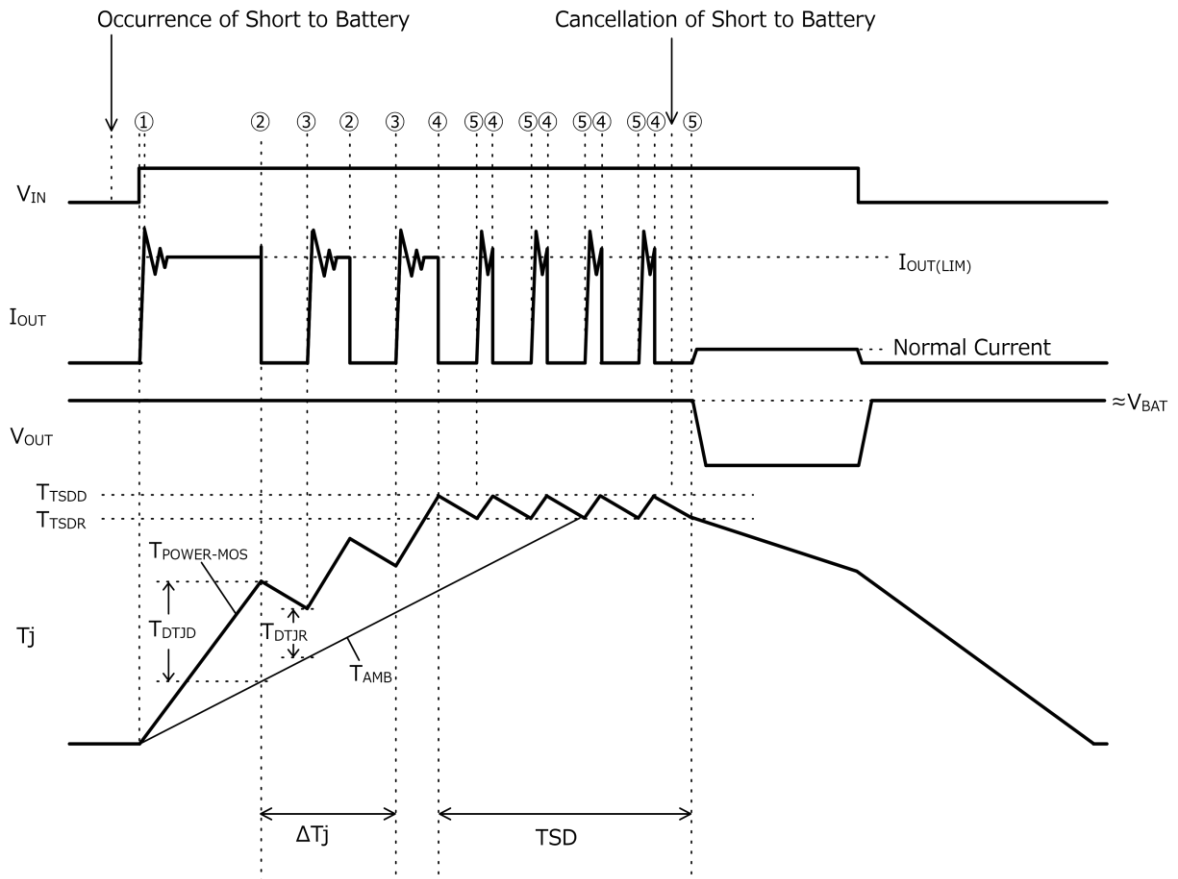


Figure 22. The Behavior when the OUT Pin Short Circuit

- ① I<sub>OUT</sub> is limited at Over Current Limitation Level (I<sub>OUT(LIM)</sub>) = 40 A (Typ) when over current is occurred.
- ② The temperature of Power MOS FET part and the control part in this IC is each T<sub>POWER-MOS</sub>, T<sub>AMB</sub>. When the temperature difference becomes 80 °C (Typ) or more, the output turns OFF. This temperature defines as ΔT<sub>j</sub> Protection Detected Temperature (T<sub>DTJD</sub>).
- ③ When the temperature difference of T<sub>POWER-MOS</sub> and T<sub>AMB</sub> becomes 45 °C (Typ) or less, the output turns automatically ON. This temperature defines as ΔT<sub>j</sub> Protection Released Temperature (T<sub>DTJR</sub>).
- ④ The output is turned off when the temperature of the IC reaches Thermal Shutdown Detected Temperature (T<sub>TSDD</sub>) = 175 °C (Typ) or more.
- ⑤ The output returns to its normal state when the temperature of the IC becomes Thermal Shutdown Released Temperature (T<sub>TSDR</sub>) = 155 °C (Typ) or less.

## Operational Notes

### 1. Ground Voltage

Ensure that no pins are at a voltage below that of the ground pin at any time, even during transient condition.

### 2. Ground Wiring Pattern

When using both small-signal and large-current ground traces, the two ground traces should be routed separately but connected to a single ground at the reference point of the application board to avoid fluctuations in the small-signal ground caused by large currents. Also ensure that the ground traces of external components do not cause variations on the ground voltage. The ground lines must be as short and thick as possible to reduce line impedance.

### 3. Recommended Operating Conditions

The function and operation of the IC are guaranteed within the range specified by the recommended operating conditions. The characteristic values are guaranteed only under the conditions of each item specified by the electrical characteristics.

### 4. Testing on Application Boards

When testing the IC on an application board, connecting a capacitor directly to a low-impedance output pin may subject the IC to stress. Always discharge capacitors completely after each process or step. The IC's power supply should always be turned off completely before connecting or removing it from the test setup during the inspection process. To prevent damage from static discharge, ground the IC during assembly and use similar precautions during transport and storage.

### 5. Inter-pin Short and Mounting Errors

Ensure that the direction and position are correct when mounting the IC on the PCB. Incorrect mounting may result in damaging the IC. Avoid nearby pins being shorted to each other especially to ground, power supply and output pin. Inter-pin shorts could be due to many reasons such as metal particles, water droplets (in very humid environment) and unintentional solder bridge deposited in between pins during assembly to name a few.

### 6. Ceramic Capacitor

When using a ceramic capacitor, determine a capacitance value considering the change of capacitance with temperature and the decrease in nominal capacitance due to DC bias and others.

### 7. Thermal Shutdown Function (TSD)

This IC has a built-in thermal shutdown function that prevents heat damage to the IC. Normal operation should always be within the IC's maximum junction temperature rating. If however the rating is exceeded for a continued period, the junction temperature ( $T_j$ ) will rise which will activate the TSD function that will turn OFF power output pins. When the  $T_j$  falls below the TSD threshold, the circuits are automatically restored to normal operation.

Note that the TSD function operates in a situation that exceeds the absolute maximum ratings and therefore, under no circumstances, should the TSD function be used in a set design or for any purpose other than protecting the IC from heat damage.

### 8. Over Current Protection Function (OCP)

This IC incorporates an integrated overcurrent protection function that is activated when the load is shorted. This protection function is effective in preventing damage due to sudden and unexpected incidents. However, the IC should not be used in applications characterized by continuous operation or transitioning of the protection function.

### 9. Active Clamp Operation

The IC integrates the active clamp function to internally absorb the reverse energy  $E_L$  which is generated when the inductive load is turned off. When the active clamp operates, the thermal shutdown function does not work. Decide a load so that the reverse energy  $E_L$  is active clamp energy  $E_{AS}$  (refer to [Figure 1.](#)) or under when inductive load is used.

Operational Notes – continued

10. Negative Current of Output

When the OUT pin (DRAIN) becomes lower than the GND pin (SOURCE), a current flow from the in pin (the IN pin) to the OUT pin (DRAIN) through a parasitic transistor. As shown in Figure 23 when the input pin is High, a current flow from a power supply of the connection (MCU, and so on) of the input pin to the OUT pin (DRAIN). As shown in Figure 24 when the input pin is Low, a current flow from the GND of parts (MCU, and so on) that connected to the input pin to the OUT pin (DRAIN).

Therefore, set the OUT pin (DRAIN) is  $-0.3\text{ V}$  or higher. When the OUT pin becomes lower than  $-0.3\text{ V}$ , add a restriction resistance  $330\ \Omega$  or higher to the IN pin. However, set the value of restriction resistance in consideration of the voltage descent caused by power supply pin and input pins currents.

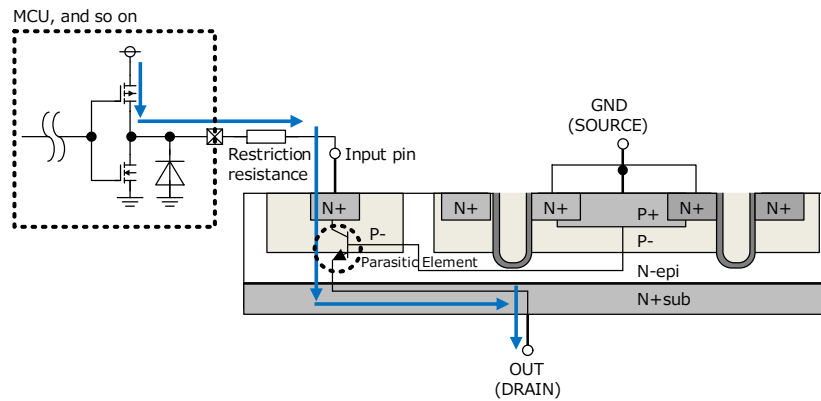


Figure 23. Negative Current Path (when the input pins are High)

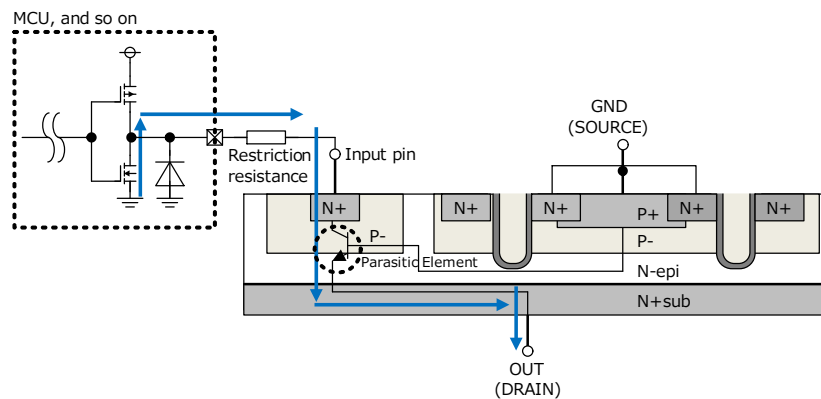
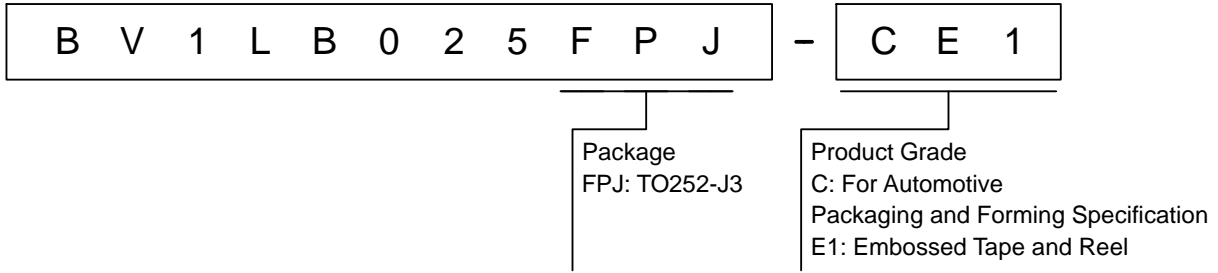
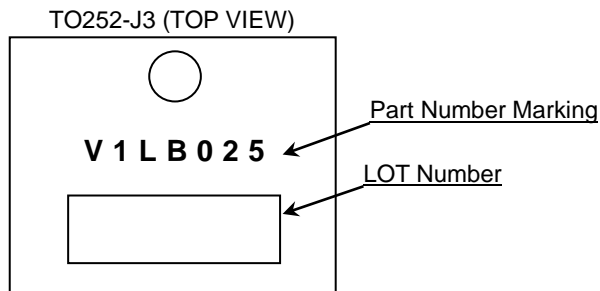


Figure 24. Negative Current Path (when the input pins are Low)

Ordering Information

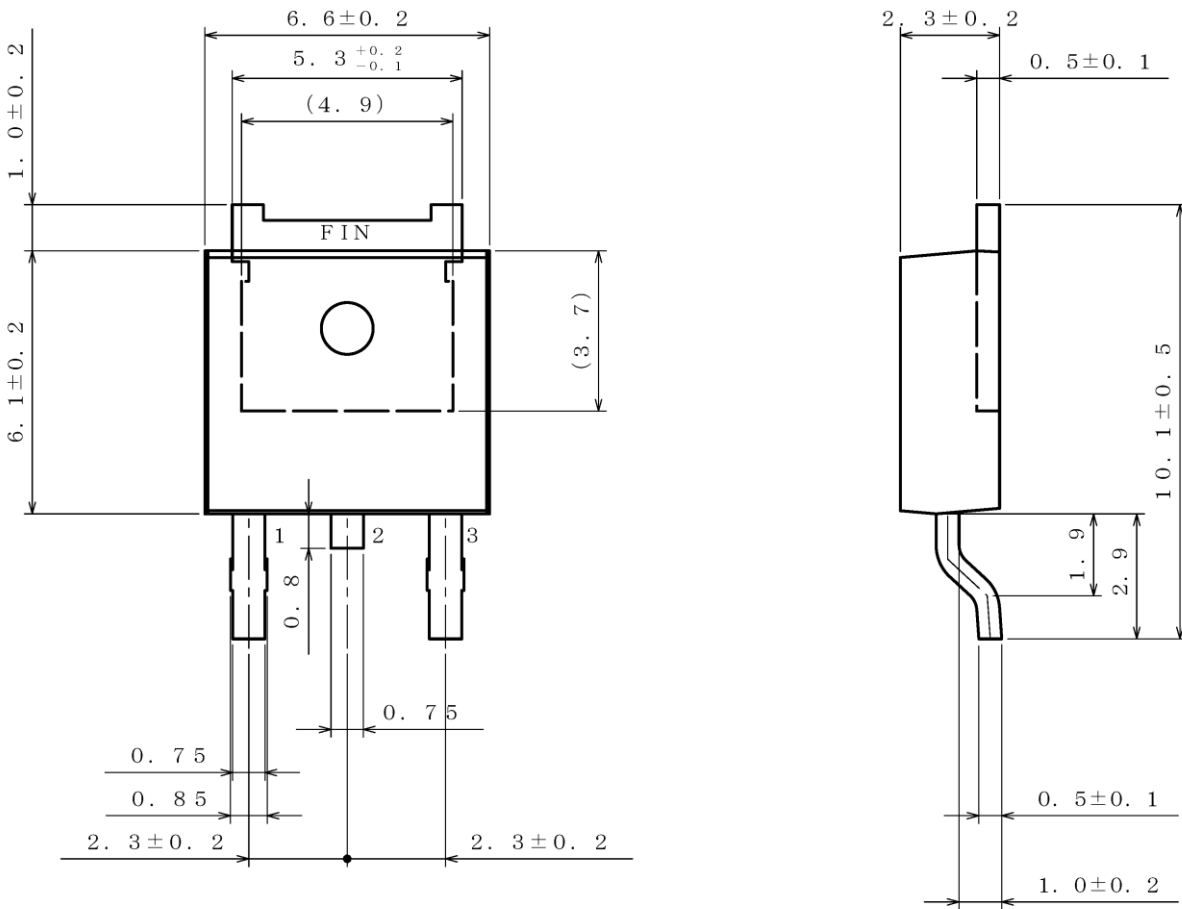


Marking Diagram



Physical Dimension and Packing Information

Package Name	TO252-J3
--------------	----------



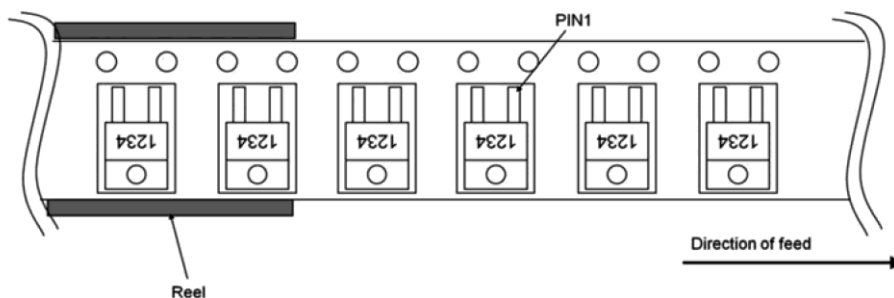
(UNIT : mm)

PKG : TO252-J3

Drawing No. EX576-5001

< Tape and Reel Information >

Tape	Embossed carrier tape (with dry pack)
Quantity	2000pcs
Direction of feed	E1 The direction is the pin 1 of product is at the upper right when you hold reel on the left hand and you pull out the tape on the right hand





**Revision History**

Date	Revision	Changes
25.Sep.2024	001	New Release

# Notice

## Precaution on using ROHM Products

1. If you intend to use our Products in devices requiring extremely high reliability (such as medical equipment <sup>(Note 1)</sup>, aircraft/spacecraft, nuclear power controllers, etc.) and whose malfunction or failure may cause loss of human life, bodily injury or serious damage to property ("Specific Applications"), please consult with the ROHM sales representative in advance. Unless otherwise agreed in writing by ROHM in advance, ROHM shall not be in any way responsible or liable for any damages, expenses or losses incurred by you or third parties arising from the use of any ROHM's Products for Specific Applications.

(Note1) Medical Equipment Classification of the Specific Applications

JAPAN	USA	EU	CHINA
CLASS III	CLASS III	CLASS II b	CLASS III
CLASS IV		CLASS III	

2. ROHM designs and manufactures its Products subject to strict quality control system. However, semiconductor products can fail or malfunction at a certain rate. Please be sure to implement, at your own responsibilities, adequate safety measures including but not limited to fail-safe design against the physical injury, damage to any property, which a failure or malfunction of our Products may cause. The following are examples of safety measures:
  - [a] Installation of protection circuits or other protective devices to improve system safety
  - [b] Installation of redundant circuits to reduce the impact of single or multiple circuit failure
3. Our Products are not designed under any special or extraordinary environments or conditions, as exemplified below. Accordingly, ROHM shall not be in any way responsible or liable for any damages, expenses or losses arising from the use of any ROHM's Products under any special or extraordinary environments or conditions. If you intend to use our Products under any special or extraordinary environments or conditions (as exemplified below), your independent verification and confirmation of product performance, reliability, etc. prior to use, must be necessary:
  - [a] Use of our Products in any types of liquid, including water, oils, chemicals, and organic solvents
  - [b] Use of our Products outdoors or in places where the Products are exposed to direct sunlight or dust
  - [c] Use of our Products in places where the Products are exposed to sea wind or corrosive gases, including Cl<sub>2</sub>, H<sub>2</sub>S, NH<sub>3</sub>, SO<sub>2</sub>, and NO<sub>2</sub>
  - [d] Use of our Products in places where the Products are exposed to static electricity or electromagnetic waves
  - [e] Use of our Products in proximity to heat-producing components, plastic cords, or other flammable items
  - [f] Sealing or coating our Products with resin or other coating materials
  - [g] Use of our Products without cleaning residue of flux (Exclude cases where no-clean type fluxes is used. However, recommend sufficiently about the residue.); or Washing our Products by using water or water-soluble cleaning agents for cleaning residue after soldering
  - [h] Use of the Products in places subject to dew condensation
4. The Products are not subject to radiation-proof design.
5. Please verify and confirm characteristics of the final or mounted products in using the Products.
6. In particular, if a transient load (a large amount of load applied in a short period of time, such as pulse, is applied, confirmation of performance characteristics after on-board mounting is strongly recommended. Avoid applying power exceeding normal rated power; exceeding the power rating under steady-state loading condition may negatively affect product performance and reliability.
7. De-rate Power Dissipation depending on ambient temperature. When used in sealed area, confirm that it is the use in the range that does not exceed the maximum junction temperature.
8. Confirm that operation temperature is within the specified range described in the product specification.
9. ROHM shall not be in any way responsible or liable for failure induced under deviant condition from what is defined in this document.

## Precaution for Mounting / Circuit board design

1. When a highly active halogenous (chlorine, bromine, etc.) flux is used, the residue of flux may negatively affect product performance and reliability.
2. In principle, the reflow soldering method must be used on a surface-mount products, the flow soldering method must be used on a through hole mount products. If the flow soldering method is preferred on a surface-mount products, please consult with the ROHM representative in advance.

For details, please refer to ROHM Mounting specification

### Precautions Regarding Application Examples and External Circuits

1. If change is made to the constant of an external circuit, please allow a sufficient margin considering variations of the characteristics of the Products and external components, including transient characteristics, as well as static characteristics.
2. You agree that application notes, reference designs, and associated data and information contained in this document are presented only as guidance for Products use. Therefore, in case you use such information, you are solely responsible for it and you must exercise your own independent verification and judgment in the use of such information contained in this document. ROHM shall not be in any way responsible or liable for any damages, expenses or losses incurred by you or third parties arising from the use of such information.

### Precaution for Electrostatic

This Product is electrostatic sensitive product, which may be damaged due to electrostatic discharge. Please take proper caution in your manufacturing process and storage so that voltage exceeding the Products maximum rating will not be applied to Products. Please take special care under dry condition (e.g. Grounding of human body / equipment / solder iron, isolation from charged objects, setting of Ionizer, friction prevention and temperature / humidity control).

### Precaution for Storage / Transportation

1. Product performance and soldered connections may deteriorate if the Products are stored in the places where:
  - [a] the Products are exposed to sea winds or corrosive gases, including Cl<sub>2</sub>, H<sub>2</sub>S, NH<sub>3</sub>, SO<sub>2</sub>, and NO<sub>2</sub>
  - [b] the temperature or humidity exceeds those recommended by ROHM
  - [c] the Products are exposed to direct sunshine or condensation
  - [d] the Products are exposed to high Electrostatic
2. Even under ROHM recommended storage condition, solderability of products out of recommended storage time period may be degraded. It is strongly recommended to confirm solderability before using Products of which storage time is exceeding the recommended storage time period.
3. Store / transport cartons in the correct direction, which is indicated on a carton with a symbol. Otherwise bent leads may occur due to excessive stress applied when dropping of a carton.
4. Use Products within the specified time after opening a humidity barrier bag. Baking is required before using Products of which storage time is exceeding the recommended storage time period.

### Precaution for Product Label

A two-dimensional barcode printed on ROHM Products label is for ROHM's internal use only.

### Precaution for Disposition

When disposing Products please dispose them properly using an authorized industry waste company.

### Precaution for Foreign Exchange and Foreign Trade act

Since concerned goods might be fallen under listed items of export control prescribed by Foreign exchange and Foreign trade act, please consult with ROHM in case of export.

### Precaution Regarding Intellectual Property Rights

1. All information and data including but not limited to application example contained in this document is for reference only. ROHM does not warrant that foregoing information or data will not infringe any intellectual property rights or any other rights of any third party regarding such information or data.
2. ROHM shall not have any obligations where the claims, actions or demands arising from the combination of the Products with other articles such as components, circuits, systems or external equipment (including software).
3. No license, expressly or implied, is granted hereby under any intellectual property rights or other rights of ROHM or any third parties with respect to the Products or the information contained in this document. Provided, however, that ROHM will not assert its intellectual property rights or other rights against you or your customers to the extent necessary to manufacture or sell products containing the Products, subject to the terms and conditions herein.

### Other Precaution

1. This document may not be reprinted or reproduced, in whole or in part, without prior written consent of ROHM.
2. The Products may not be disassembled, converted, modified, reproduced or otherwise changed without prior written consent of ROHM.
3. In no event shall you use in any way whatsoever the Products and the related technical information contained in the Products or this document for any military purposes, including but not limited to, the development of mass-destruction weapons.
4. The proper names of companies or products described in this document are trademarks or registered trademarks of ROHM, its affiliated companies or third parties.

**General Precaution**

1. Before you use our Products, you are requested to carefully read this document and fully understand its contents. ROHM shall not be in any way responsible or liable for failure, malfunction or accident arising from the use of any ROHM's Products against warning, caution or note contained in this document.
2. All information contained in this document is current as of the issuing date and subject to change without any prior notice. Before purchasing or using ROHM's Products, please confirm the latest information with a ROHM sales representative.
3. The information contained in this document is provided on an "as is" basis and ROHM does not warrant that all information contained in this document is accurate and/or error-free. ROHM shall not be in any way responsible or liable for any damages, expenses or losses incurred by you or third parties resulting from inaccuracy or errors of or concerning such information.