

## Diodes

# Diode Part Number Information

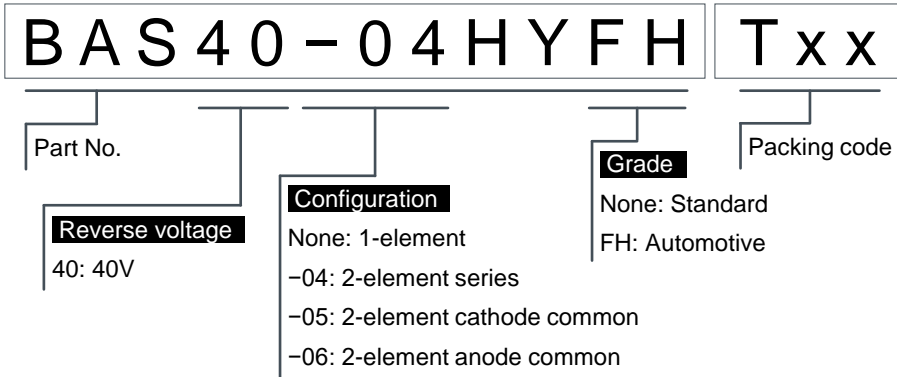
This application note provides typical part number information for the diode product family.

## Diodes

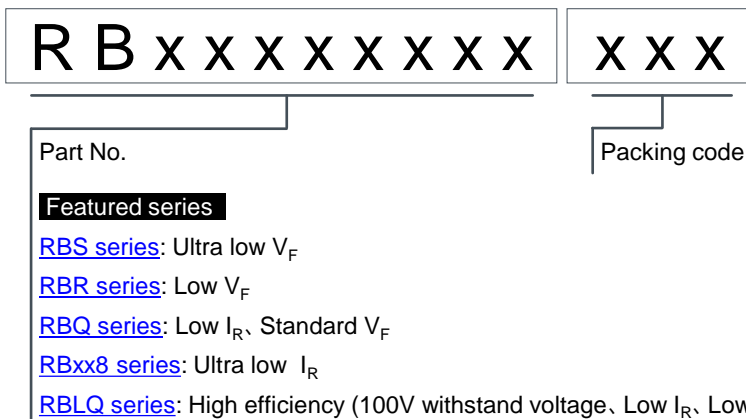
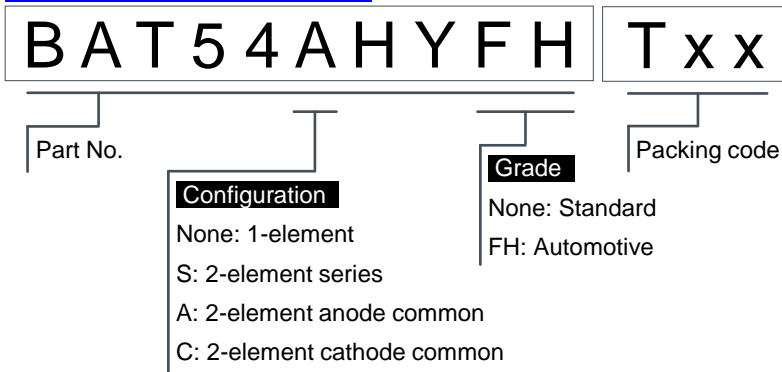
1. [Schottky Barrier Diodes](#)
2. [Fast Recovery Diodes](#)
3. [Zener Diodes](#)
4. [TVS \(Transient Voltage Suppressors\) Diodes](#)
5. [Switching Diodes](#)
6. [Rectifier Diodes](#)
7. [Band Switching Diodes](#)
8. [PIN Diodes](#)
9. [Detection Schottky Diodes](#)
10. [Packing Code](#)

## 1. Schottky Barrier Diodes (1)

### BASxxxxHY, BASxxxxHYFH series



### BAT54xHY, BAT54xHYFH series



1. Schottky Barrier Diodes (2)

**RSX series**



**YQ series**



**Featured series**

YQ series: High efficiency (100V withstand voltage, Low  $I_R$ , Low  $V_F$ )

## 2. Fast Recovery Diodes

R F X X X X X X X X	X X X
---------------------	-------

Part No.

Packing code

**Featured series**

[RFS series](#): 4th Generation, 650V withstand voltage, High speed  $t_{rr}$ , Soft recovery type

[RFL series](#): 4th Generation, 650V withstand voltage, Low  $V_F$ , Soft recovery type

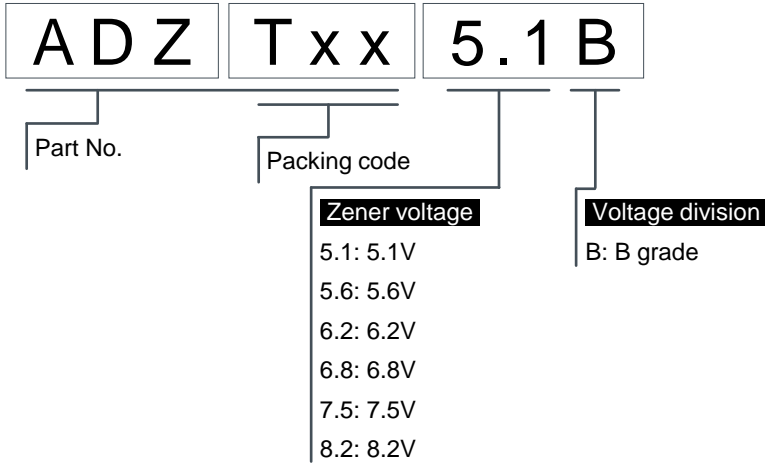
[RFV series](#): 3rd Generation, 600V withstand voltage, Ultra high speed  $t_{rr}$ , Hard recovery type

[RFNL series](#): 3rd Generation, 600V withstand voltage, Ultra low  $V_F$ , Hard recovery type

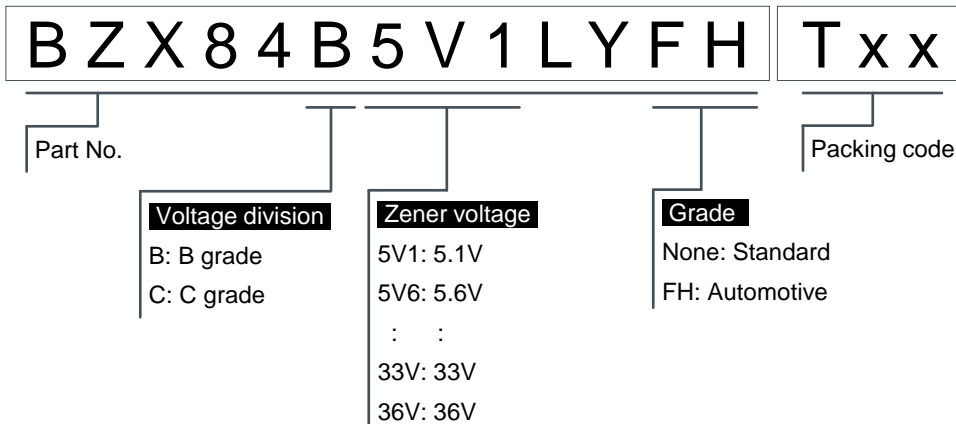
### 3. Zener Diodes (1)

**ADZ series**

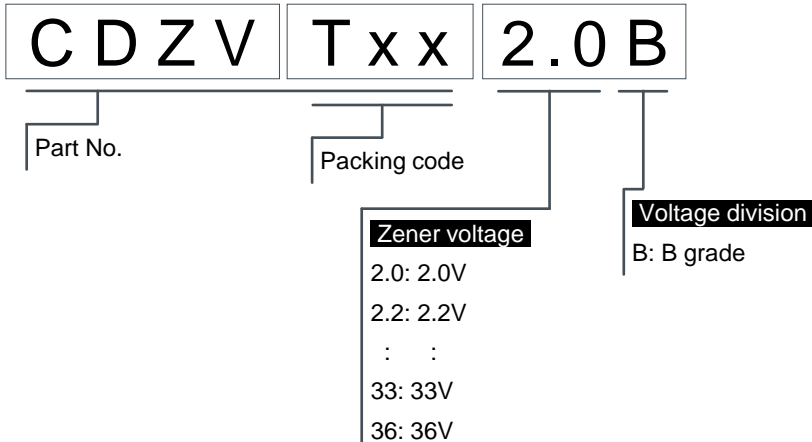
**RAS MID**



**BZX84xxxLY series**

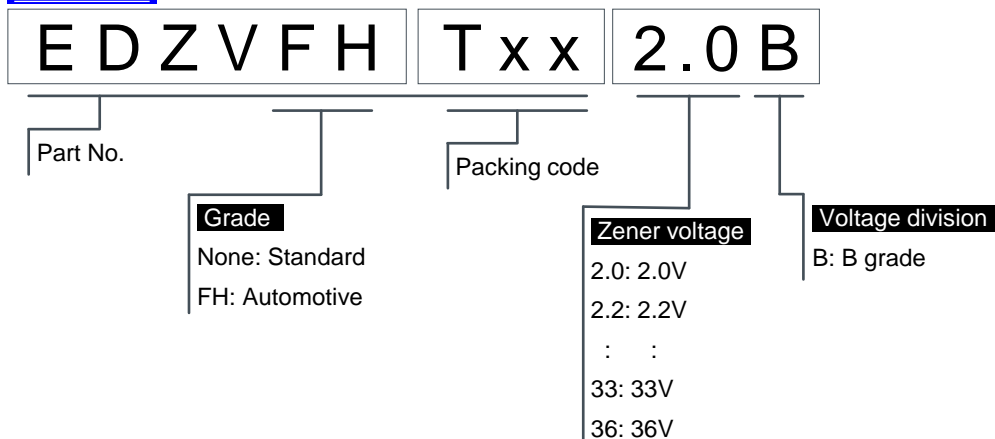


**CDZV series**

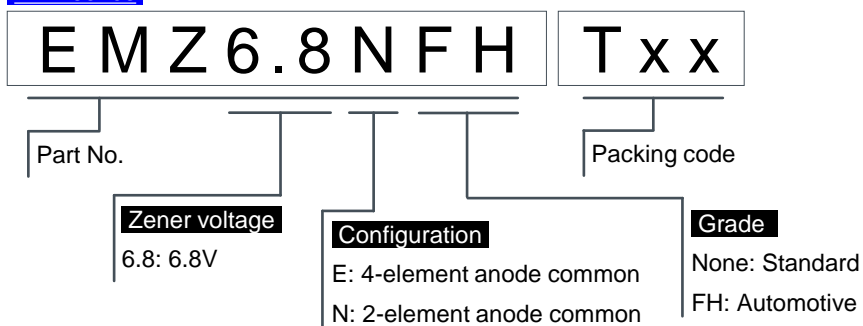


### 3. Zener Diodes (2)

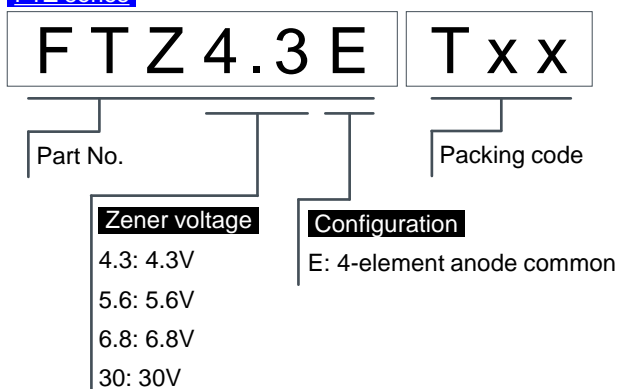
#### EDZV series



#### EMZ series

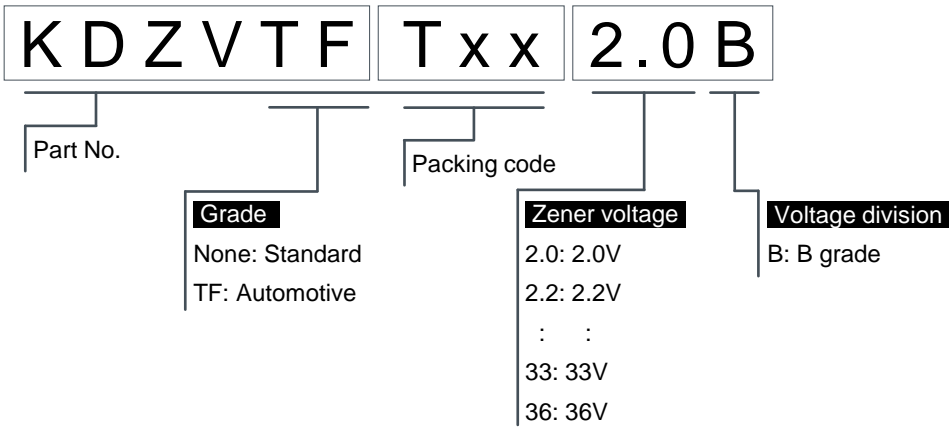


#### FTZ series

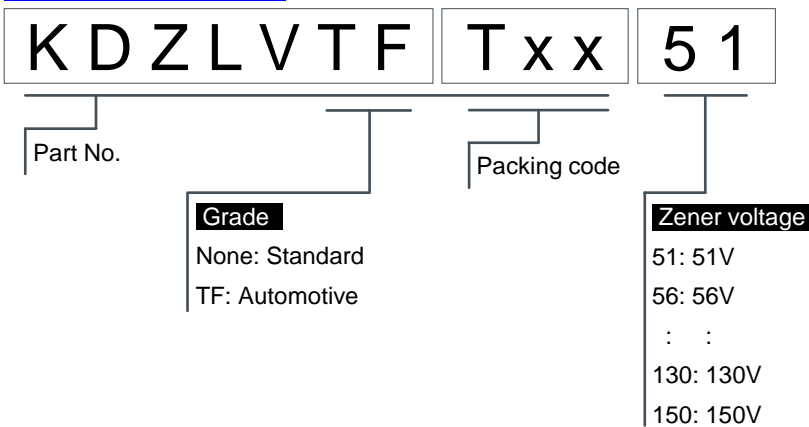


### 3. Zener Diodes (3)

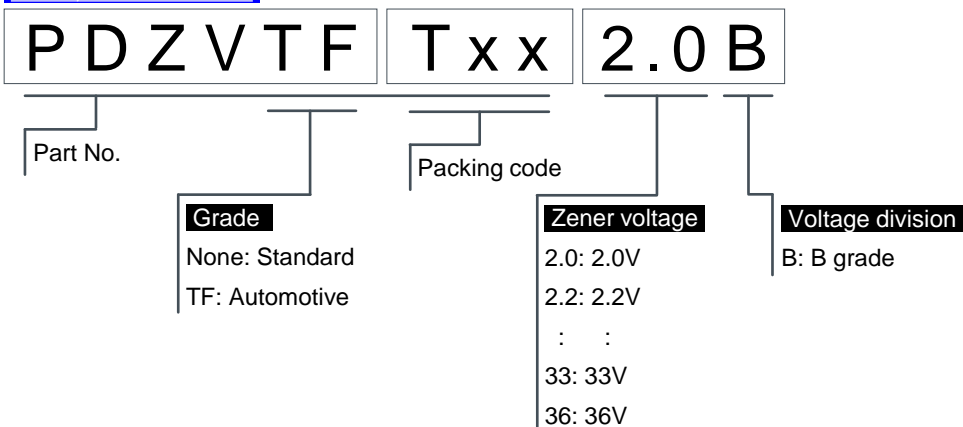
**KDZV, KDZVTF series**



**KDZLV, KDZLVTF series**

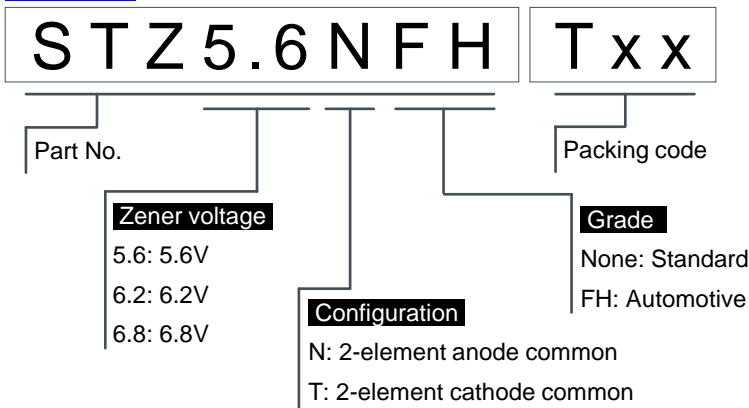


**PDZV, PDZVTF series**

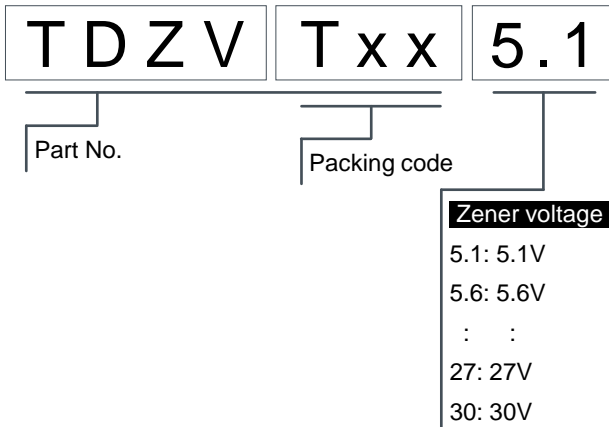


### 3. Zener Diodes (4)

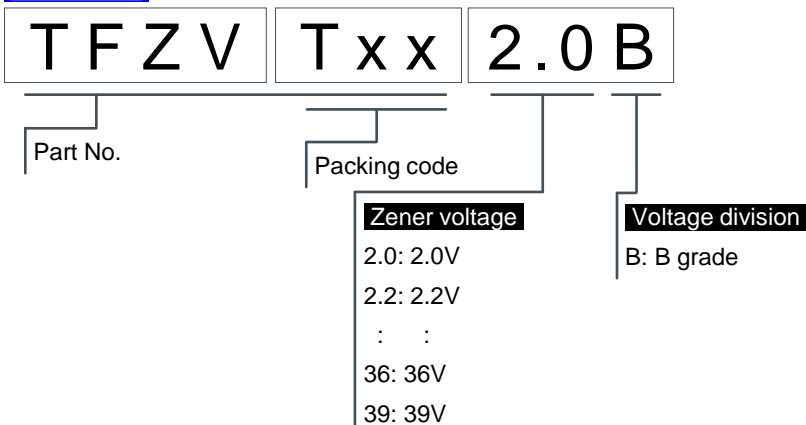
**STZ series**



**TDZV series**



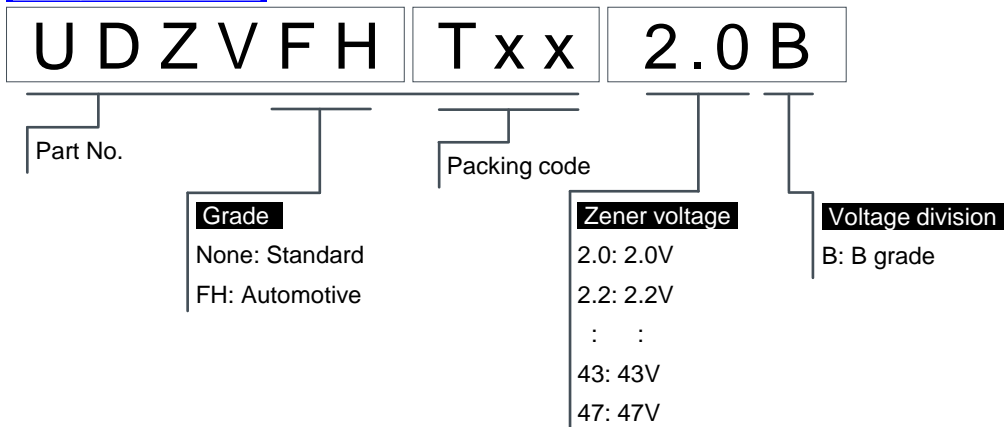
**TFZV series**



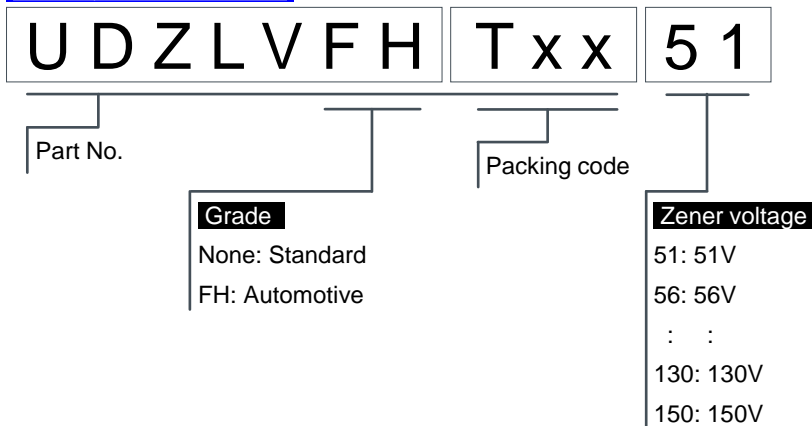


### 3. Zener Diodes (5)

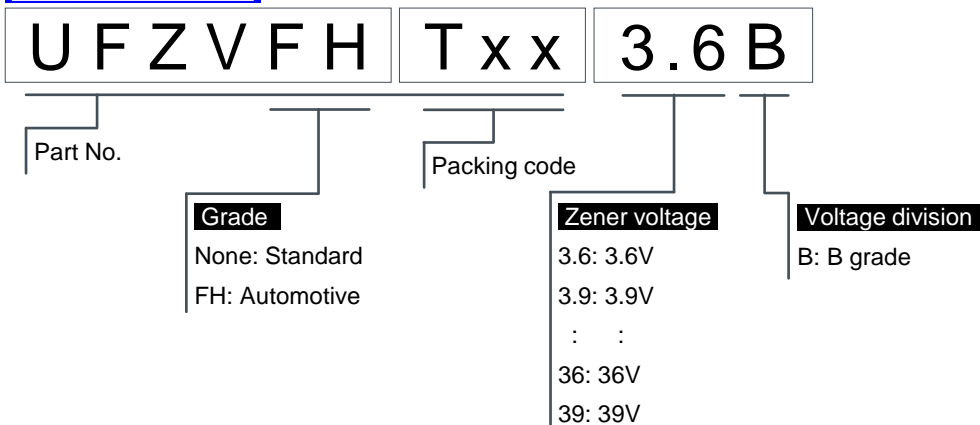
**UDZV, UDZVFH series**



**UDZLV, UDZLVFH series**

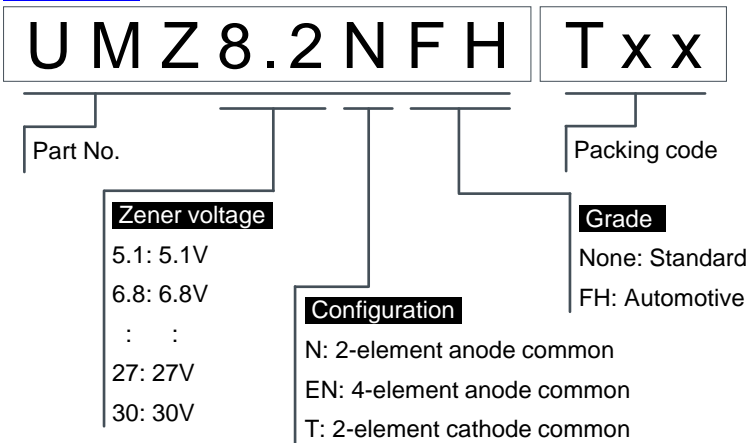


**UFZV, UFZVFH series**

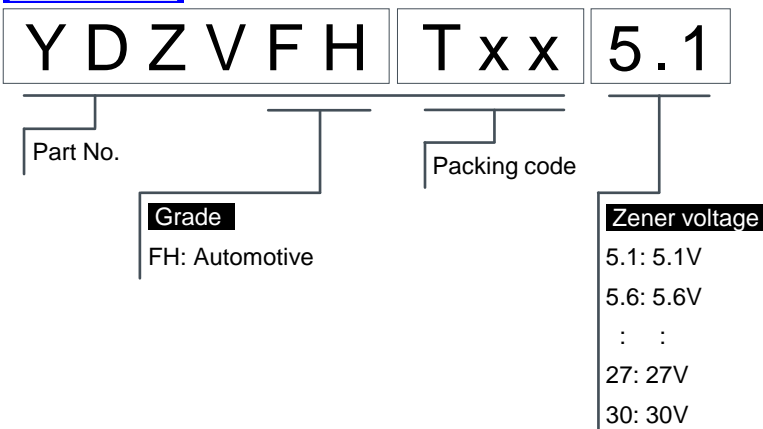


### 3. Zener Diodes (6)

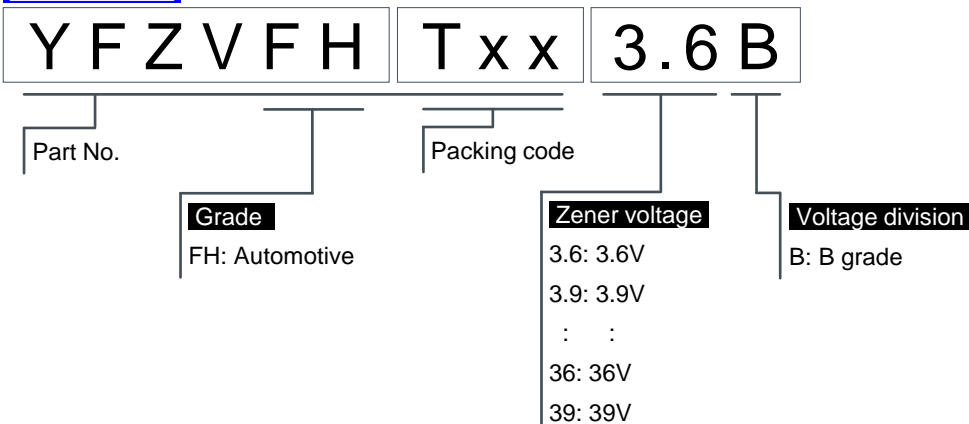
**UMZ series**



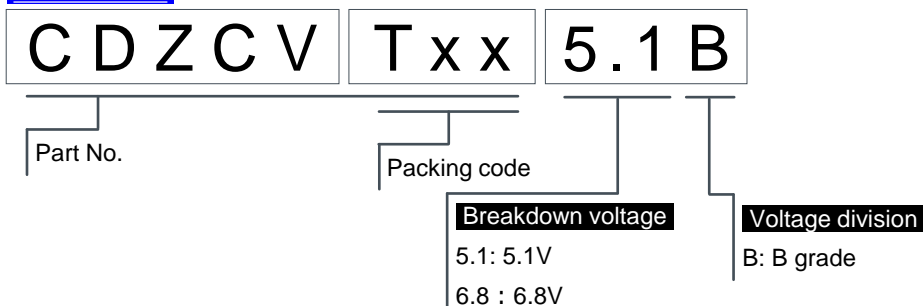
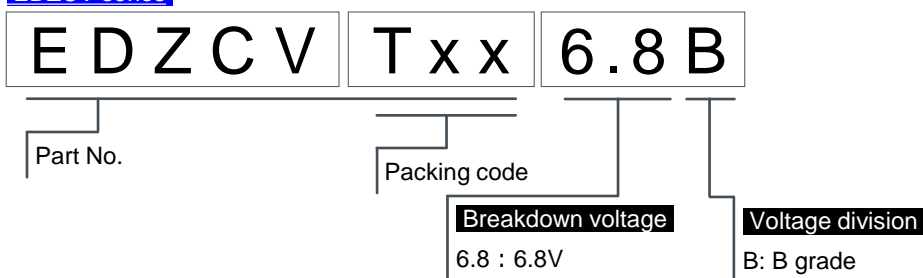
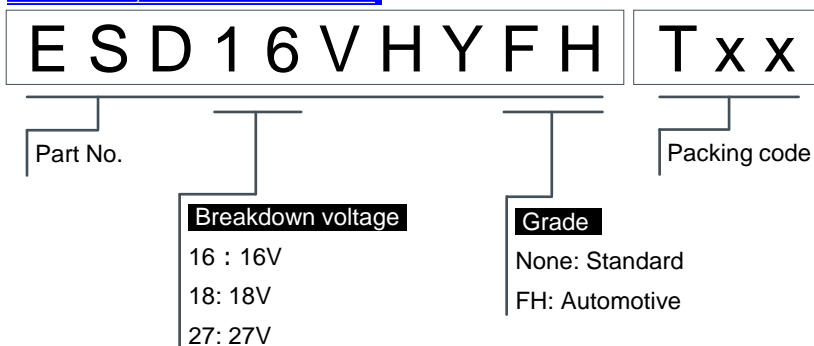
**YDZVFH series**



**YFZVFH series**

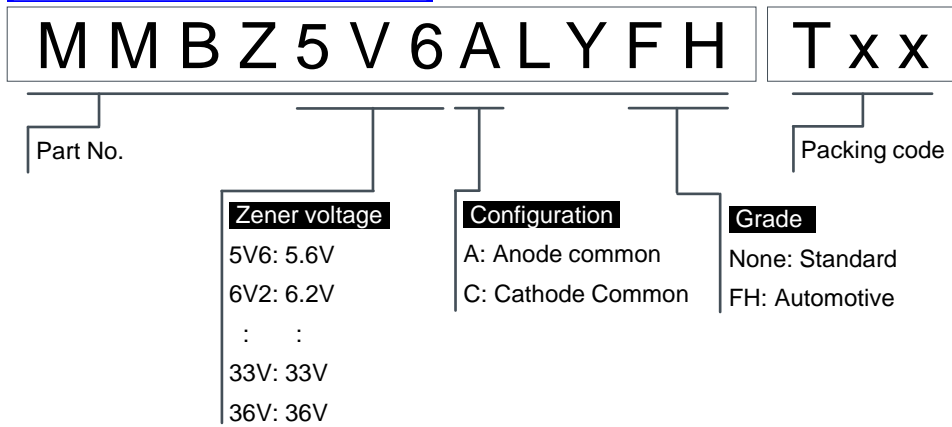


## 4. TVS Diodes (1)

**CDZCV series****EDZCV series****ESDxxVHY, ESDxxVHYFH series**

4. TVS Diodes (2)

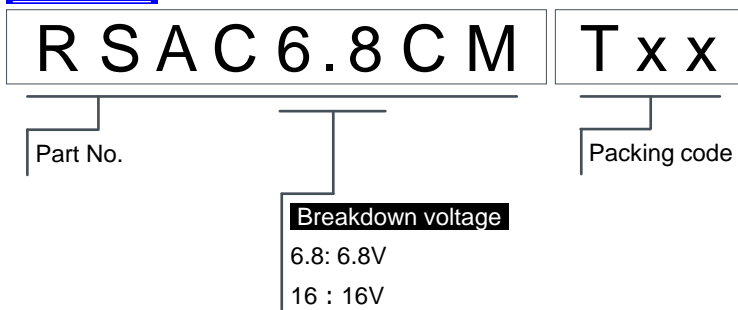
MMBZxxxLY, MMBZxxxLYFH series



RESD1CAN series

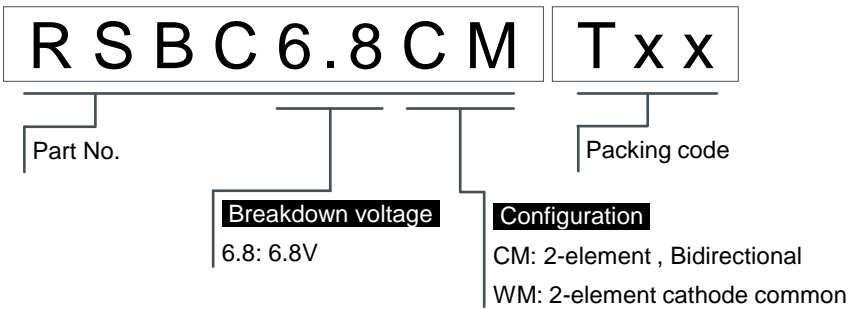


RSAC series

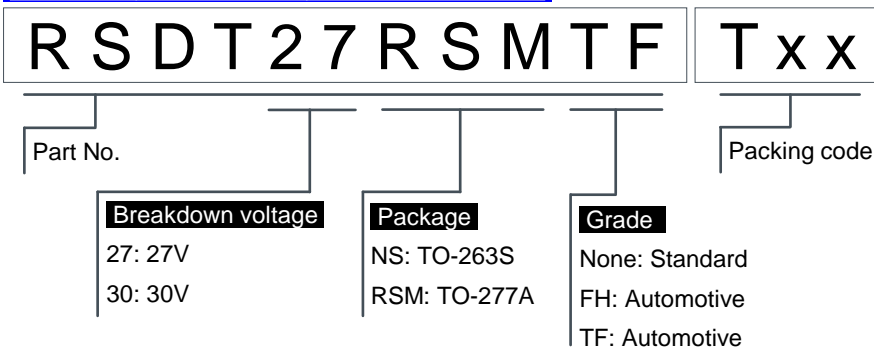


4. TVS Diodes (3)

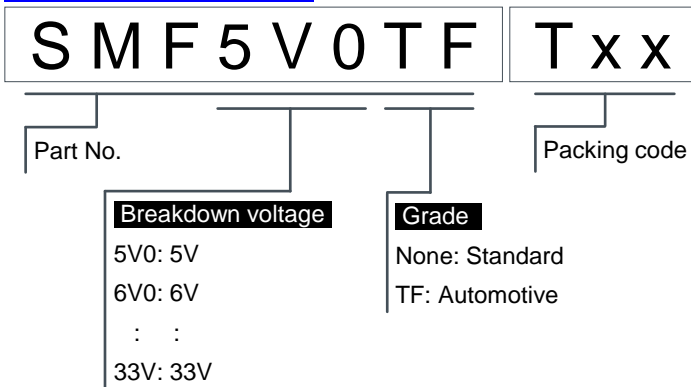
**RSBC series**



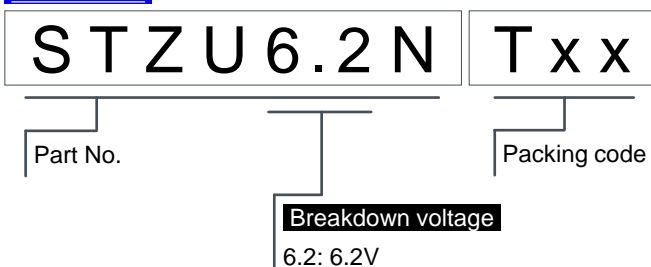
**RSDTxxxx, RSDTxxxxFH, RSDTxxxxTF series**



**SMFxxV, SMFxxVTF series**

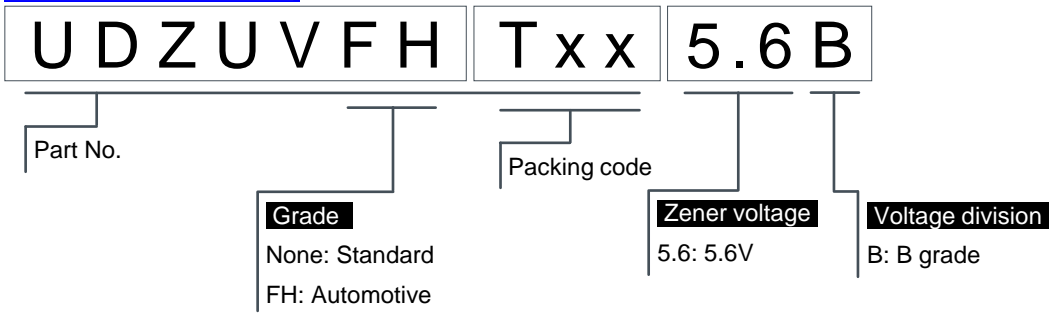


**STZU series**

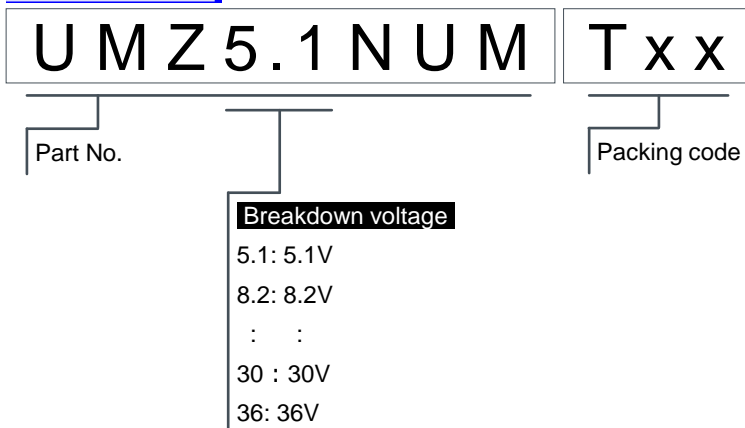


4. TVS Diodes (4)

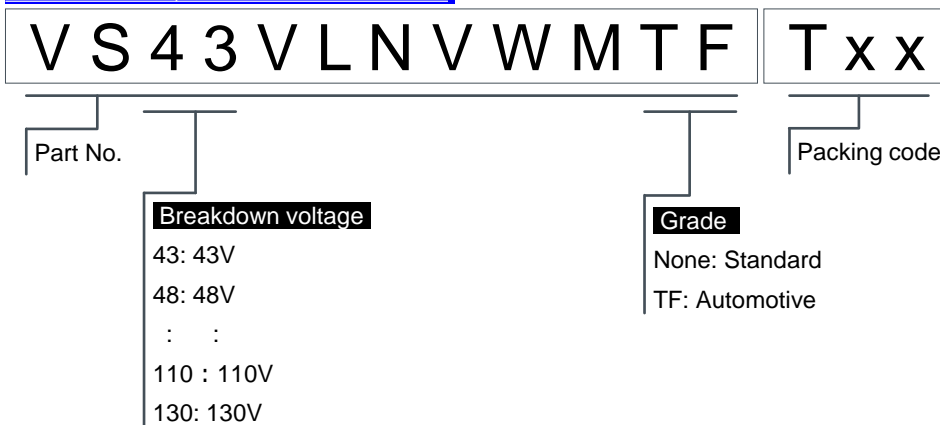
**UDZUV, UDZUVFH series**



**UMZxxNUM series**

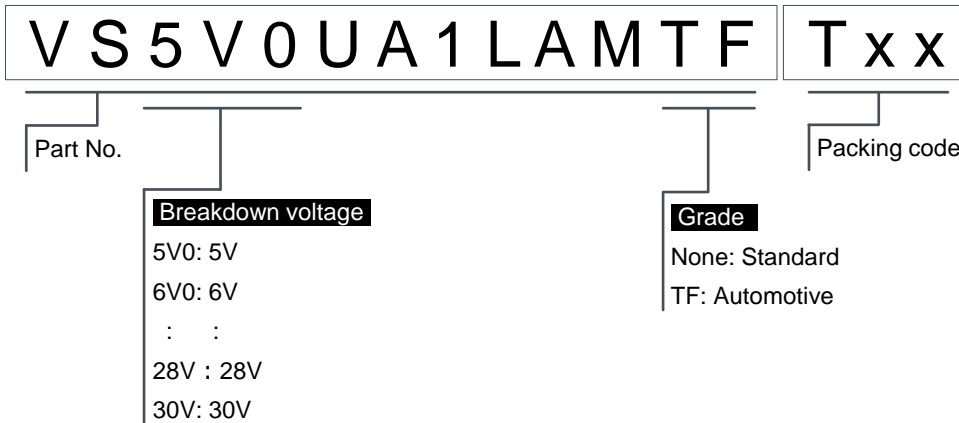


**VSxxVLNVWM, VSxxVLNVWMTF series**

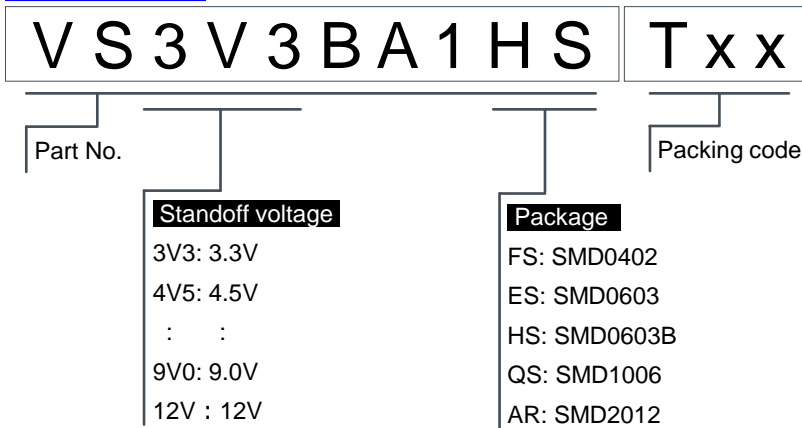


4. TVS Diodes (5)

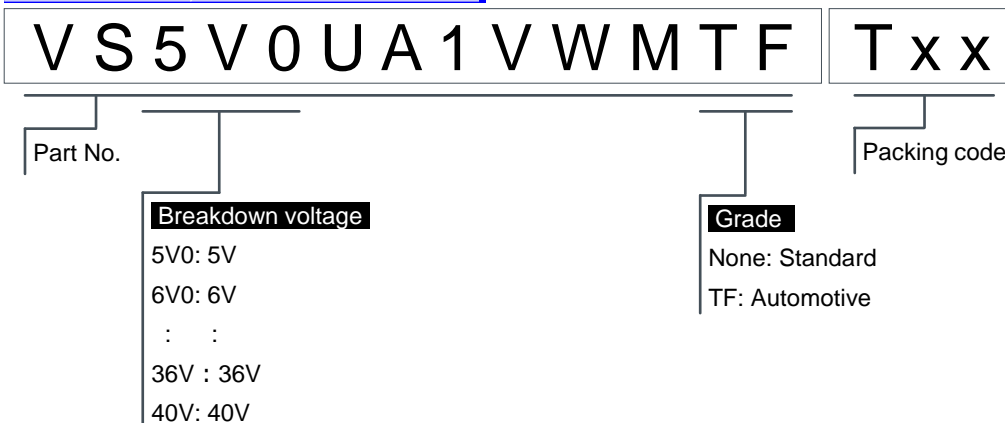
VSxxVUA1LAM, VSxxVUA1LAMTF series



RASMD™ series RASMD

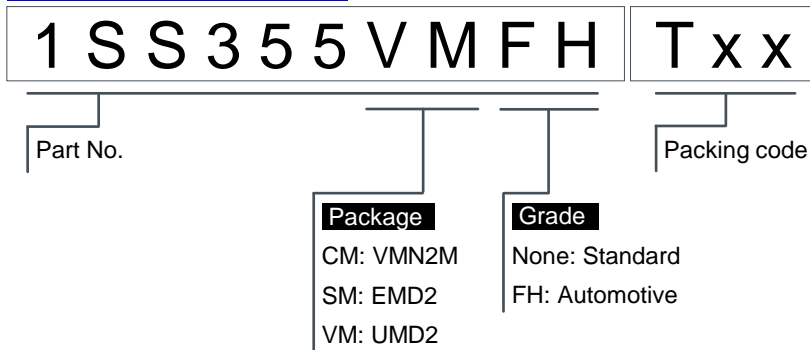


VSxxVUA1VWM, VSxxVUA1VWMTF series

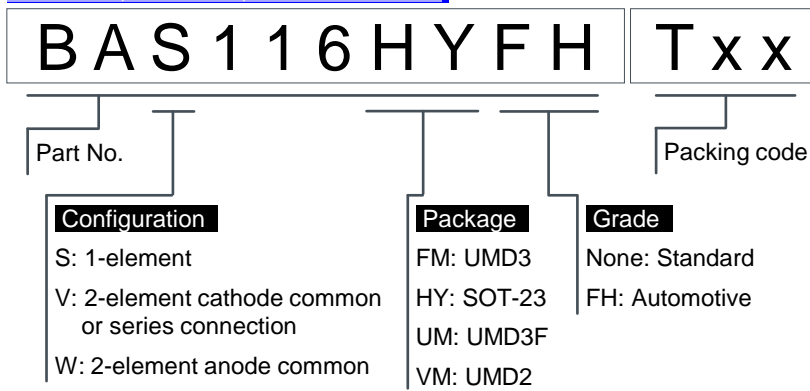


5. Switching Diodes (1)

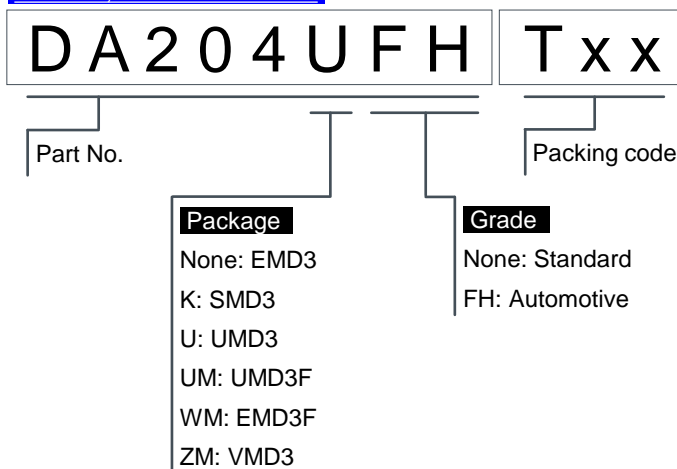
1SSxxxx, 1SSxxxxFH series



BASxxxx, BAVxxxx, BAWxxxx series



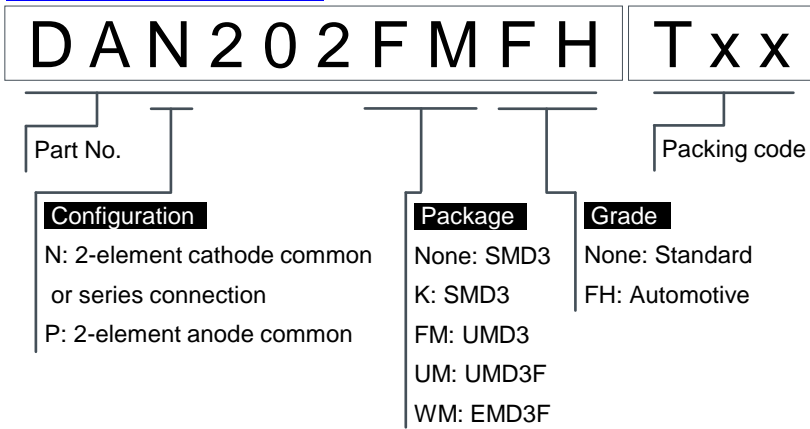
DAxxxx, DAxxxxFH series



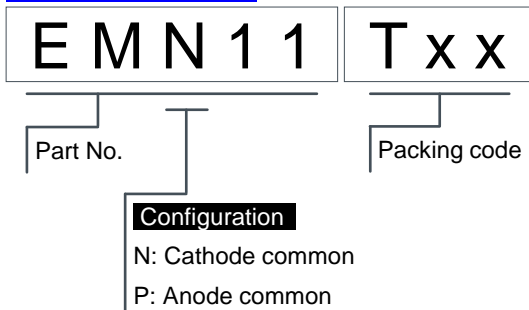


5. Switching Diodes (2)

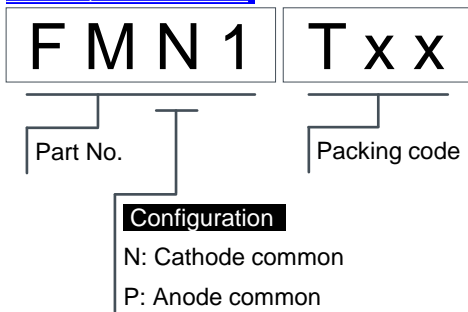
DANxxxx, DAPxxxx series



EMNxx, EMPxx series

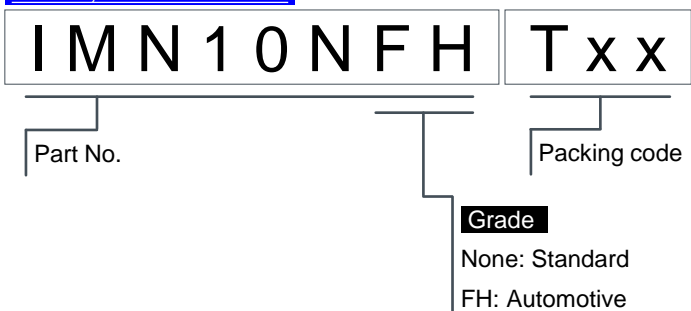


FMNxx, FMPxx series

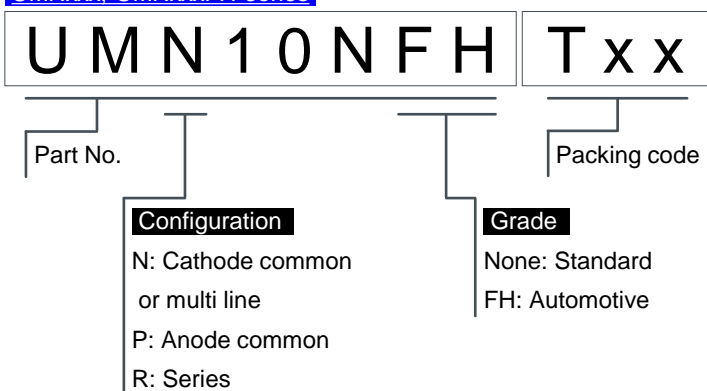


## 5. Switching Diodes (3)

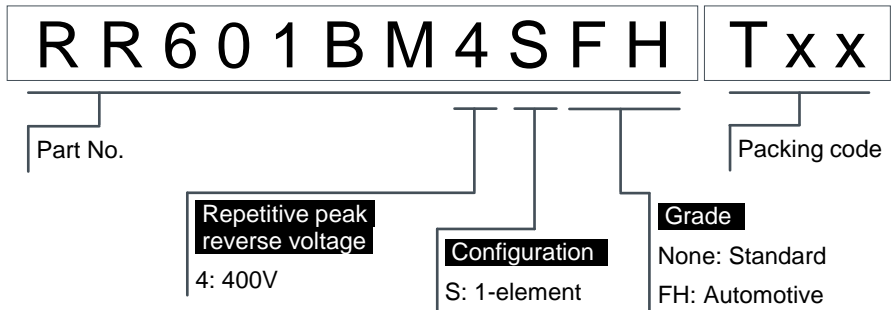
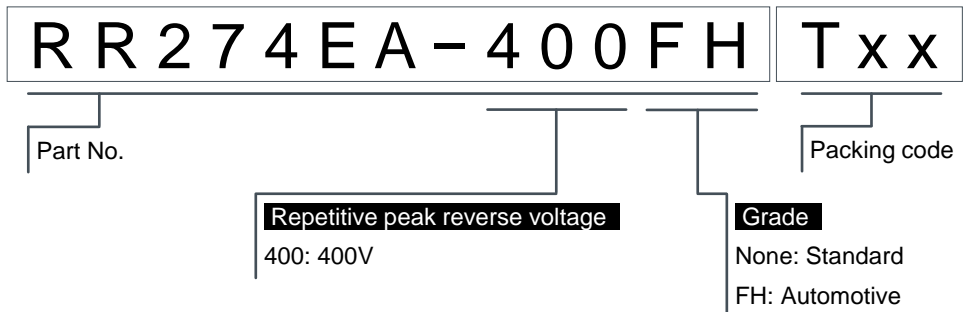
## IMNxxx, IMNxxxFH series



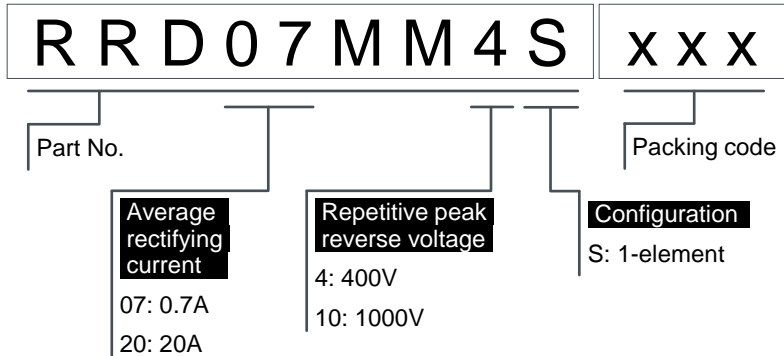
## UMNxxx, UMNxxxFH series



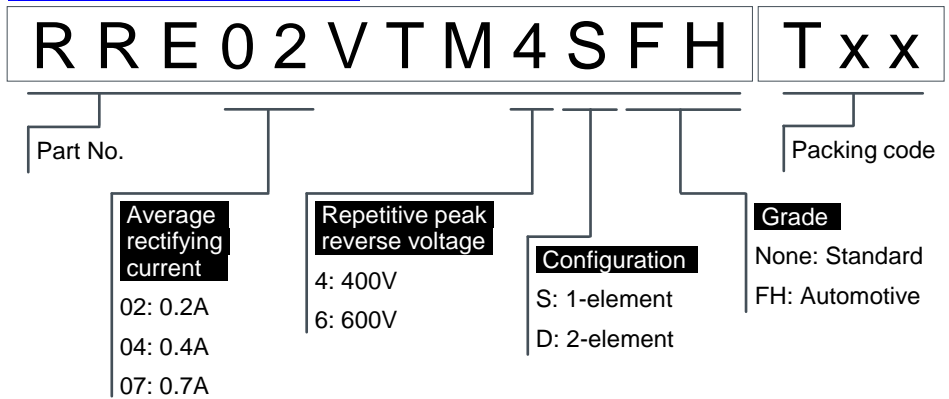
6. Rectifier Diodes



**RRDxxxxx series**

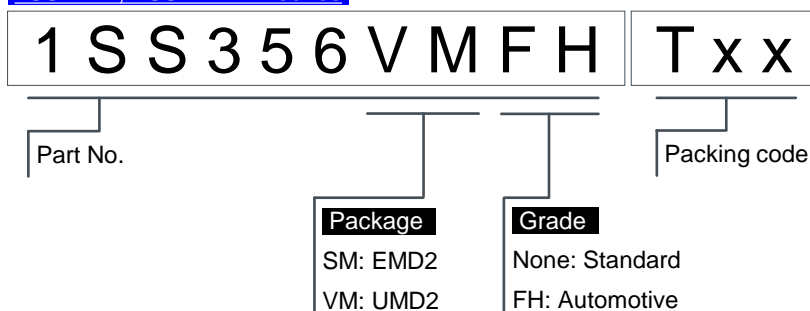


**RRExxxx, RRExxxxFH series**

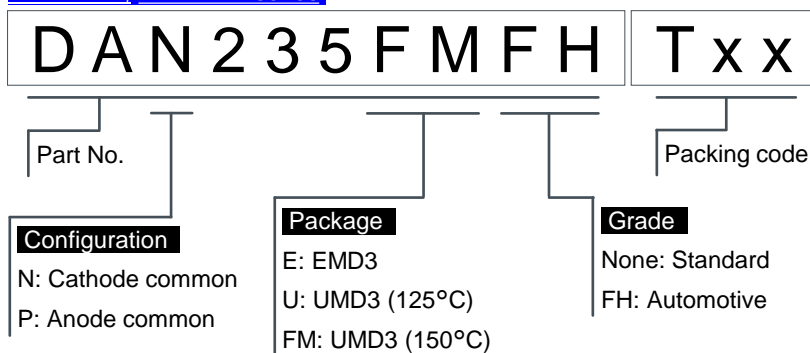


## 7. Band Switching Diodes

### 1SSxxxx, 1SSxxxxFH series



### DANxxxx, DAPxxxx series



## 8. PIN Diodes

RNxxxx, RNxxxxFH series

R N 7 7 9 F F H T x x

Part No.

Packing code

**Package**

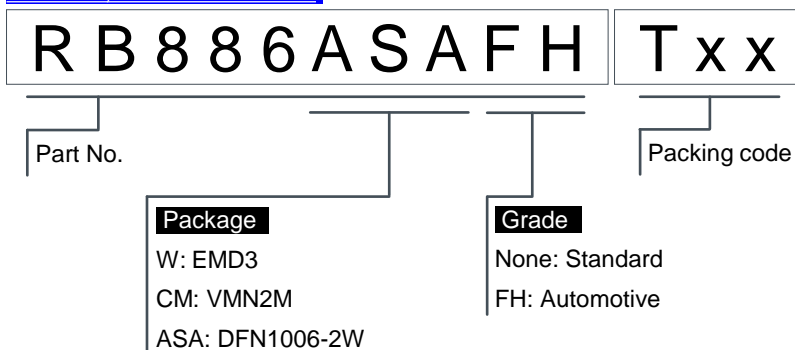
D: SMD3  
F: UMD3  
V: UMD2 (125°C)  
CM: VMN2M  
SM: EMD2  
VM: UMD2 (150°C)

**Grade**

None: Standard  
FH: Automotive

## 9. Detection Schottky Diodes

RBxxxx, RBxxxxFH series



## 10. Packing Code

	Package	Packing Code	ROHM Package	JEITA code
Surface Mount type	DSN0402-2	T27R	SMD0402	—
		T27N		
	DSN0603-2	T15R	SMD0603	—
			SMD0603B	
	DSN1006-2	T18R	SMD1006	—
	DFN1006-2W	T2RB	—	—
	SOT-723	T2L	VMD3	SC-105AA
	SOD-923	T2R	VMN2M	—
	SOD-523	T2R	EMD2	SC-79
		T2N		
	SOT-416FL	TL	EMD3F	SC-89
	DSN2012-2	T7R	SMD2012	—
	SOD-323FL	TE-17	UMD2	SC-90A
	SOT-323	T106	UMD3	SC-70
	SOT-323FL	TL	UMD3F	SC-85
	SOT-23	T116	SSD3	—
	SOD-323HE	TR	TUMD2M	SC-108B
		TR	TUMD2SM	—
	(PMDE)	TR	PMDE	—
	〈SOD-123FL〉	TR	PMDU	SC-109B
〈SOD-128〉	TR	PMDTM	—	
DO-214AC 〈SMA〉	TE25	PMDS	—	
(TO-252GE) 〈DPAK〉	TL	TO-252GE	SC-63	
TO-252 〈DPAK〉	TL	—	SC-63	
(TO-263S) 〈D2PAK〉	TL	LPDS	SC-83	
TO-263L 〈D2PAK〉	TL	LPDL	SC-83	
Through Hole type	(TO-220FN)	C9	TO-220FN	—
	(TO-220NFM)	C9	TO-220NFM	—
	(TO-220AC)	C9	TO-220AC	—
	(TO-220ACFP)	C9	TO-220ACFP	—
	TO-247-2L	C13	TO-247GE-2L	—
	TO-247-3L	C13	TO-247GE-3L	—

## Notes

- 1) The information contained herein is subject to change without notice.
- 2) Before you use our Products, please contact our sales representative and verify the latest specifications :
- 3) Although ROHM is continuously working to improve product reliability and quality, semiconductors can break down and malfunction due to various factors.  
Therefore, in order to prevent personal injury or fire arising from failure, please take safety measures such as complying with the derating characteristics, implementing redundant and fire prevention designs, and utilizing backups and fail-safe procedures. ROHM shall have no responsibility for any damages arising out of the use of our Products beyond the rating specified by ROHM.
- 4) Examples of application circuits, circuit constants and any other information contained herein are provided only to illustrate the standard usage and operations of the Products. The peripheral conditions must be taken into account when designing circuits for mass production.
- 5) The technical information specified herein is intended only to show the typical functions of and examples of application circuits for the Products. ROHM does not grant you, explicitly or implicitly, any license to use or exercise intellectual property or other rights held by ROHM or any other parties. ROHM shall have no responsibility whatsoever for any dispute arising out of the use of such technical information.
- 6) The Products specified in this document are not designed to be radiation tolerant.
- 7) For use of our Products in applications requiring a high degree of reliability (as exemplified below), please contact and consult with a ROHM representative : transportation equipment (i.e. cars, ships, trains), primary communication equipment, traffic lights, fire/crime prevention, safety equipment, medical systems, servers, solar cells, and power transmission systems.
- 8) Do not use our Products in applications requiring extremely high reliability, such as aerospace equipment, nuclear power control systems, and submarine repeaters.
- 9) ROHM shall have no responsibility for any damages or injury arising from non-compliance with the recommended usage conditions and specifications contained herein.
- 10) ROHM has used reasonable care to ensure the accuracy of the information contained in this document. However, ROHM does not warrants that such information is error-free, and ROHM shall have no responsibility for any damages arising from any inaccuracy or misprint of such information.
- 11) Please use the Products in accordance with any applicable environmental laws and regulations, such as the RoHS Directive. For more details, including RoHS compatibility, please contact a ROHM sales office. ROHM shall have no responsibility for any damages or losses resulting non-compliance with any applicable laws or regulations.
- 12) When providing our Products and technologies contained in this document to other countries, you must abide by the procedures and provisions stipulated in all applicable export laws and regulations, including without limitation the US Export Administration Regulations and the Foreign Exchange and Foreign Trade Act.
- 13) This document, in part or in whole, may not be reprinted or reproduced without prior consent of ROHM.



Thank you for your accessing to ROHM product informations.  
More detail product informations and catalogs are available, please contact us.

## ROHM Customer Support System

<http://www.rohm.com/contact/>