

BD71815AGW Reference Schematics

Rev 1p10

Page	Contents
1	Table of Contents
2	Legal Disclaimer
3 - 5	BD71815AGW

Rev	Page	Contents
1.00		initial version
1.10		fixed pin assignment of U1 (C1<->D1) changed ball name of A9 and B9 from PGND1 to PGND1A/B

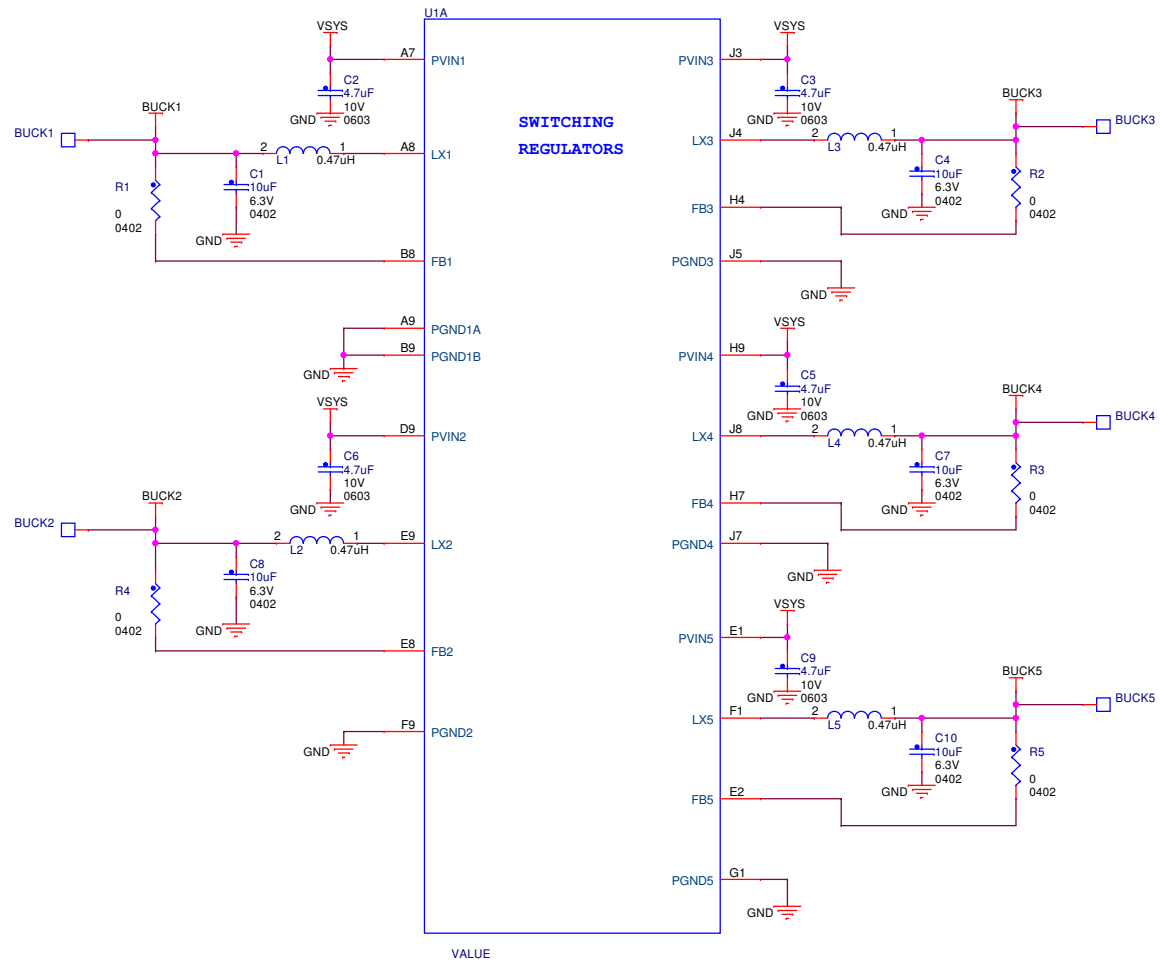
ROHM CONFIDENTIAL				
Title				
BD71815AGW Reference Schematic				
Size	Document Number	SPE59_BD71815AGW_0025	Board Rev.	BOM Rev.
A3	Table of Contents		1.10	1.10
Date:	Monday, January 16, 2017		Sheet	1 of 5

Notice

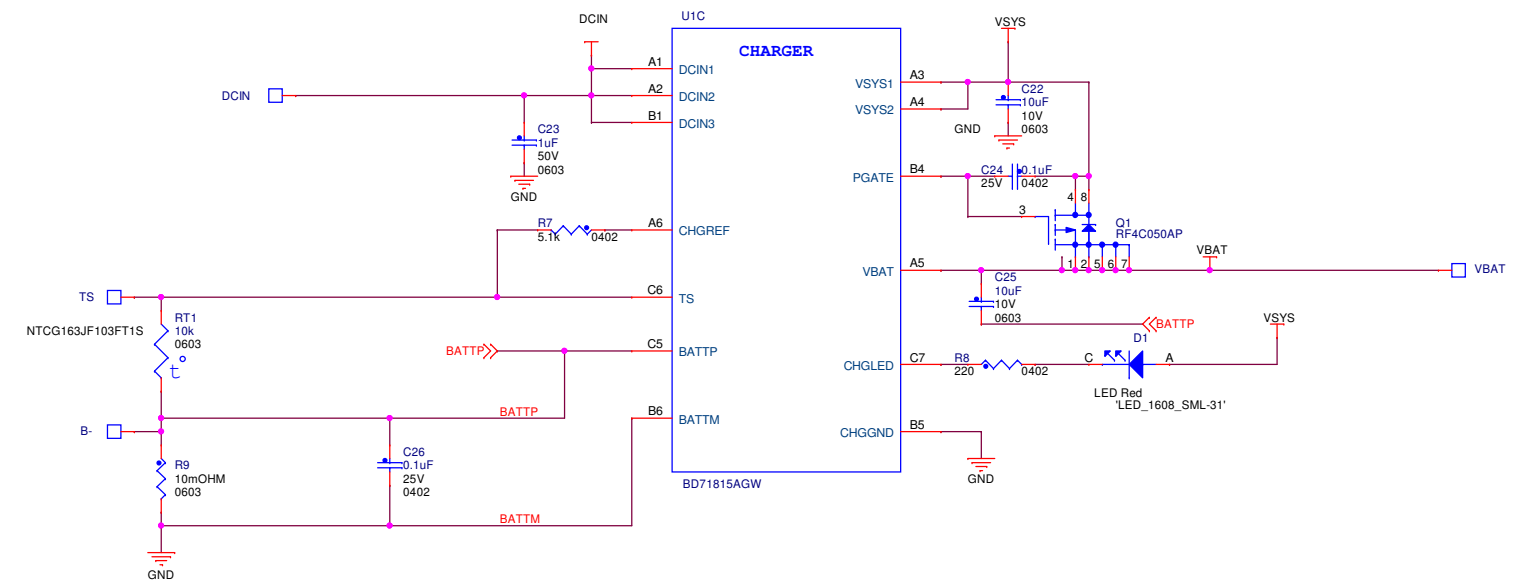
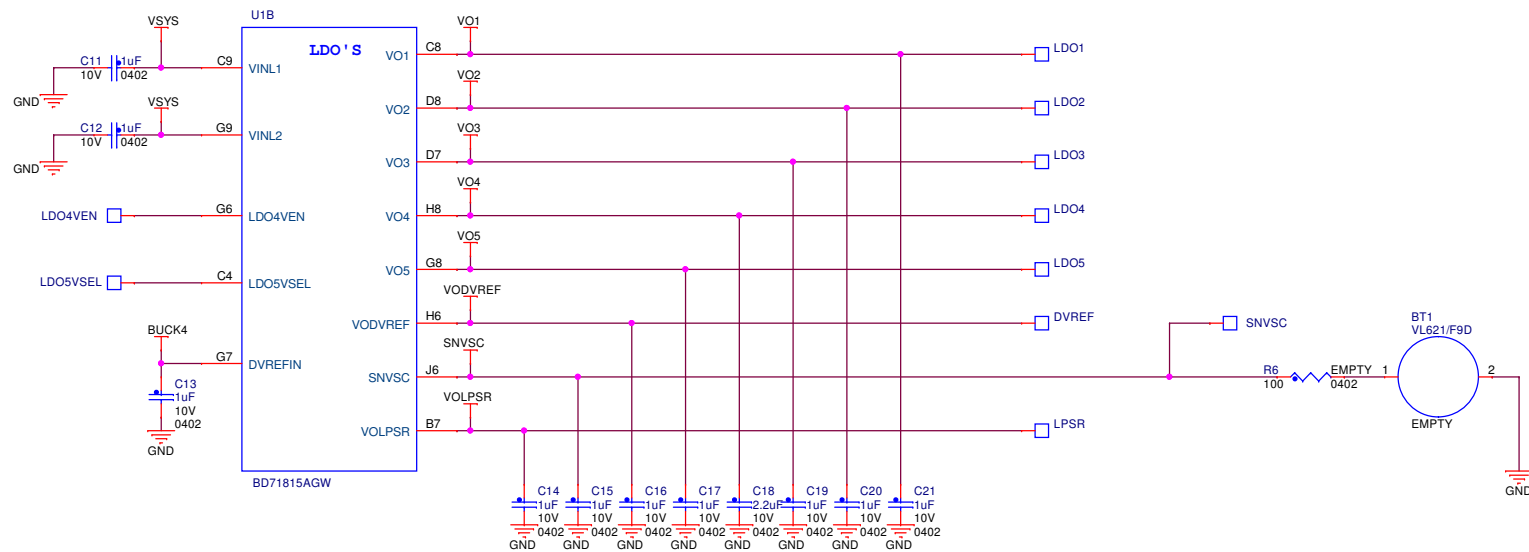
1. The information contained herein can change without notice owing to product and/or technical improvements. Before using the product, please make sure that the information being referred to is up-to-date.
2. The outline of action and examples for application circuits described herein have been chosen as an explanation for the standard action and performance of the product. When planning to use the product, please ensure that the external conditions are reflected in the actual circuit, assembly, and program designs.
3. When designing your product, please use our product below the specified maximum ratings and within the specified operating ranges including, but not limited to, operating voltage, power dissipation, and operating temperature.
4. ROHM SEMICONDUCTOR assumes no responsibility or liability whatsoever for any failure or unusual or unexpected operation resulting from misuse, neglect, improper installation, repair, alteration or accident, improper handling, or unusual physical or electrical stress including, but not limited to, exposure to parameters beyond the specified maximum ratings or operation outside the specified operating range.
5. Neither indemnity against nor license of a third party's industrial and intellectual property right, etc. is granted by us in connection with the use of the product and/or the information and drawings contained herein. No responsibility is assumed by us for any infringement of a third party's right which may result from the use thereof.
6. The products listed in this document are intended for use in general electronics equipment for commercial applications (e.g., office automation, communication equipment, measurement equipment, consumer electronics, etc.). These products are not, unless specifically authorized by ROHM SEMICONDUCTOR authorized for use in any system or application that requires special or enhanced quality and reliability characteristics nor in any system or application where the failure of such system or application may result in the loss or damage of property, or death or injury to humans. Such applications include, but are not limited to, aerospace equipment, nuclear power control, medical equipment, and life-support systems.
7. Certain products in this document may need government approval before they can be exported to particular countries. The purchaser assumes the responsibility of determining the legality of export of these products and will take appropriate and necessary steps at their own expense for these.
8. Although every reasonable effort has been made to ensure the accuracy of this Manual, please report any errors or discrepancies to your nearest ROHM SEMICONDUCTOR representative.
9. Other product names and company names mentioned in this document are trademarks or registered trademarks of their respective owners. (In this document, the name with these trademarks shows with the mark of " * ".)
10. No part of the contents contained herein may be reprinted or reproduced without our prior permission.

Copyright (c) 2016, ROHM SEMICONDUCTOR CO., LTD. All rights reserved.

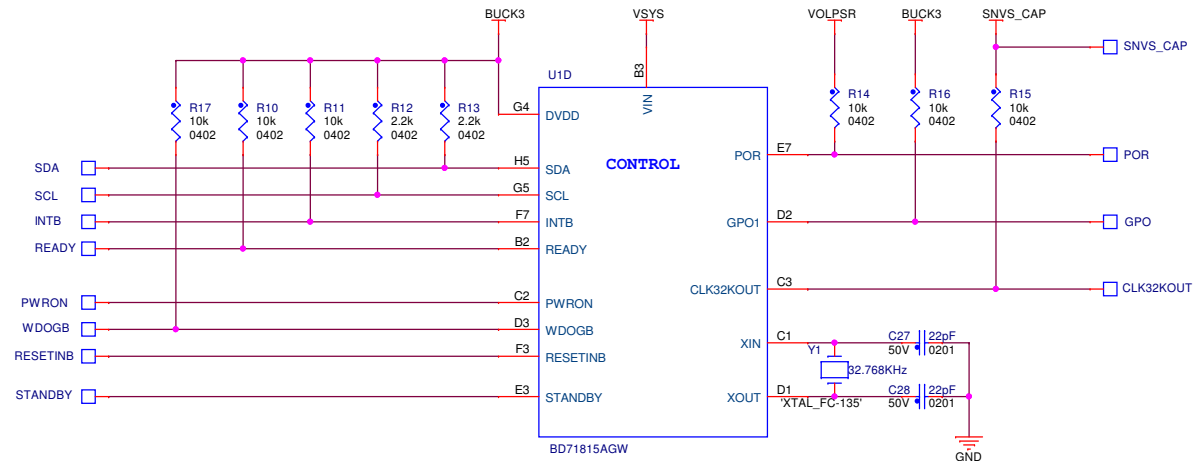
ROHM CONFIDENTIAL				
Title				
BD71815AGW Reference Schematic				
Size	Document Number	SPE59_BD71815AGW_0025	Board Rev.	BOM Rev.
A3	ROHM DISCLAIMER		1.10	1.10
Date:	Monday, January 16, 2017		Sheet	2 of 5



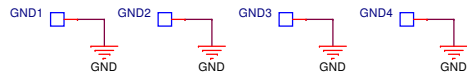
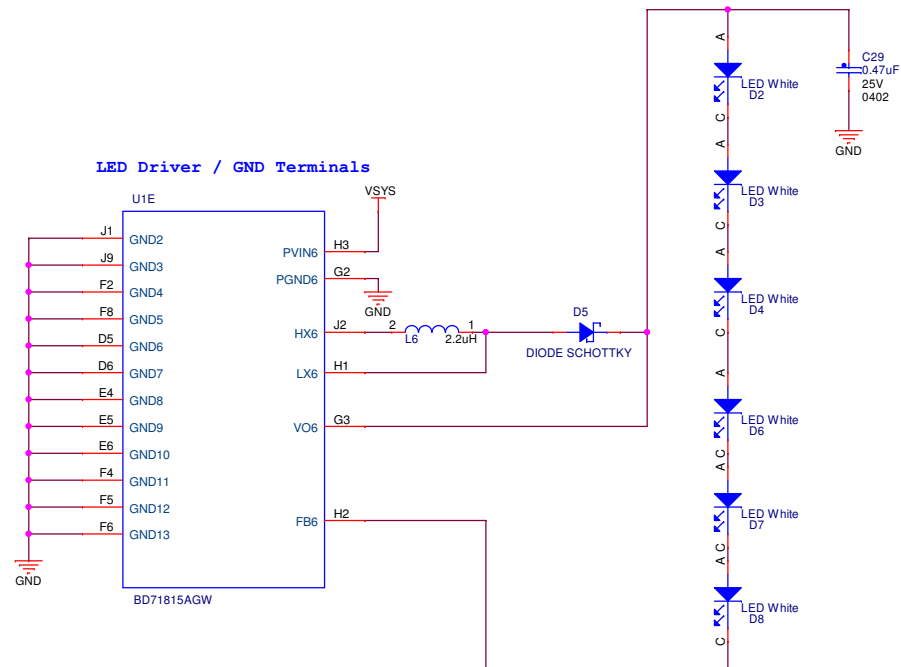
ROHM CONFIDENTIAL				
Title				
BD71815AGW Reference Schematic				
Size	Document Number	SPE59_BD71815AGW_0025	Board Rev.	BOM Rev.
A3	BD71815AGW		1.10	1.10
Date:	Monday, January 16, 2017	Sheet	3	of 5



ROHM CONFIDENTIAL				
Title BD71815AGW Reference Schematic				
Size A3	Document Number SPE59_BD71815AGW_0025	Board Rev. 1.10	BOM Rev. 1.10	
Date: Monday, January 16, 2017		Sheet 4	of 5	



LED Driver / GND Terminals



ROHM CONFIDENTIAL				
Title BD71815AGW Reference Schematic				
Size A3	Document Number BD71815AGW	SPE59_BD71815AGW_0025	Board Rev. 1.10	BOM Rev. 1.10
Date: Monday, January 16, 2017	Sheet 5	of	5	