

# (B-004-D) DC-AC single-phase 2-Level Full-Bridge Inverter (Discrete)

PLECS Demo Circuit  
Simulation Example



2026 May  
68UG126E Rev.002

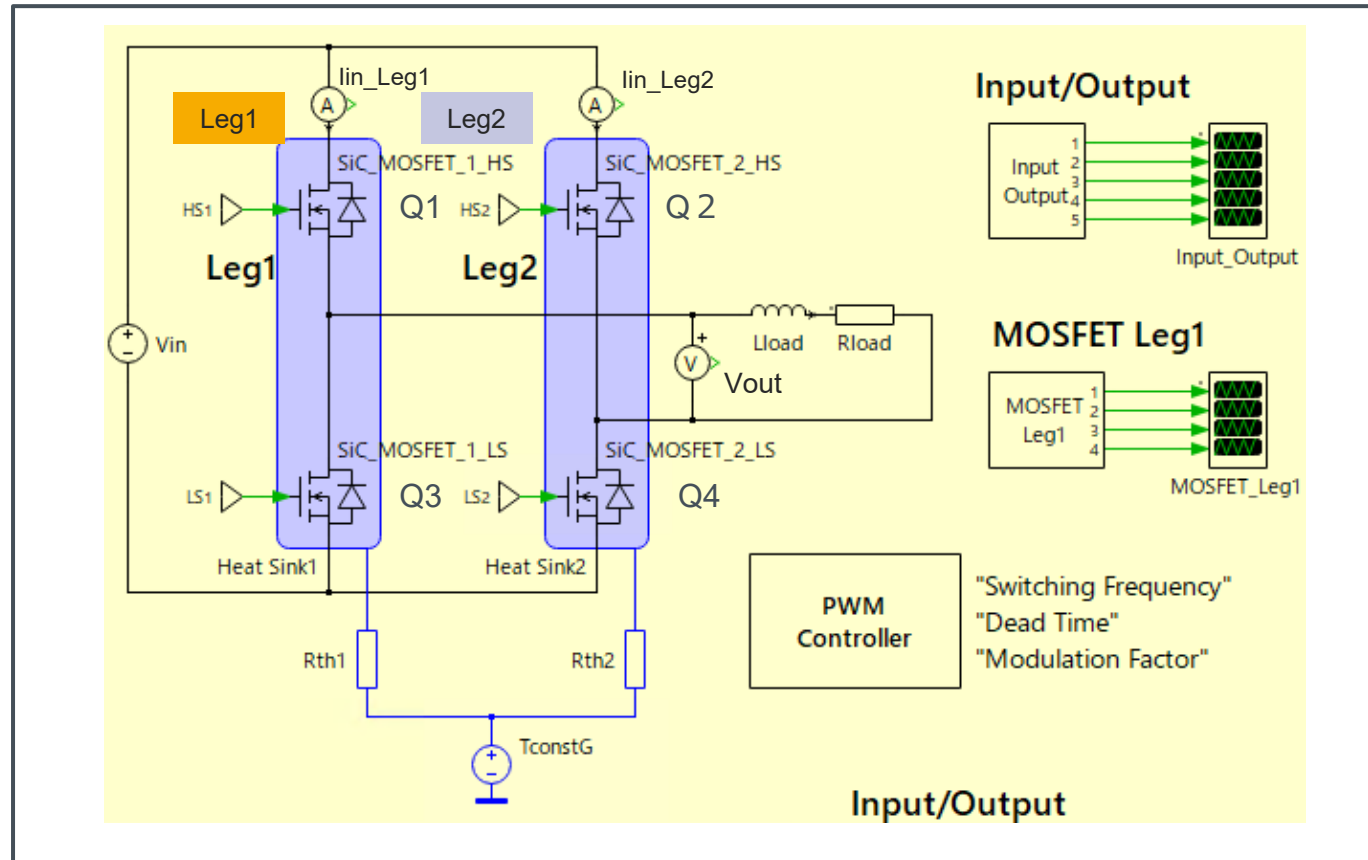
## Simulation Parameters

Name	Content	unit	Default Value
Vin	Input Voltage	V	400
fs	Switching Frequency	kHz	20
M	Modulation Index	-	0.8
DT	Dead Time	ns	800
Thcap_1	Thermal Capacitance	J/K	0.1
Rth_1	Thermal Resistance	K/W	0.5
TGND_1	Thermal GND Temperature	°C	25
Thcap_2	Thermal Capacitance	J/K	0.1
Rth_2	Thermal Resistance	K/W	0.5
TGND_2	Thermal GND Temperature	°C	25

Name	Content	unit	Default Value
Test_time	Test time in simulation	s	0.5
lopeak	Output Current (peak)	A	15
fr	Output Frequency	Hz	50
PF	Power Factor	-	0.9
Rg_on	Gate Resistance (Source) ※	Ω	6.8
Rg_off	Gate Resistance (Sink) ※	Ω	6.8
T_init	Initial Junction Temperature	°C	25

※ Same value at Leg 1 and 2.

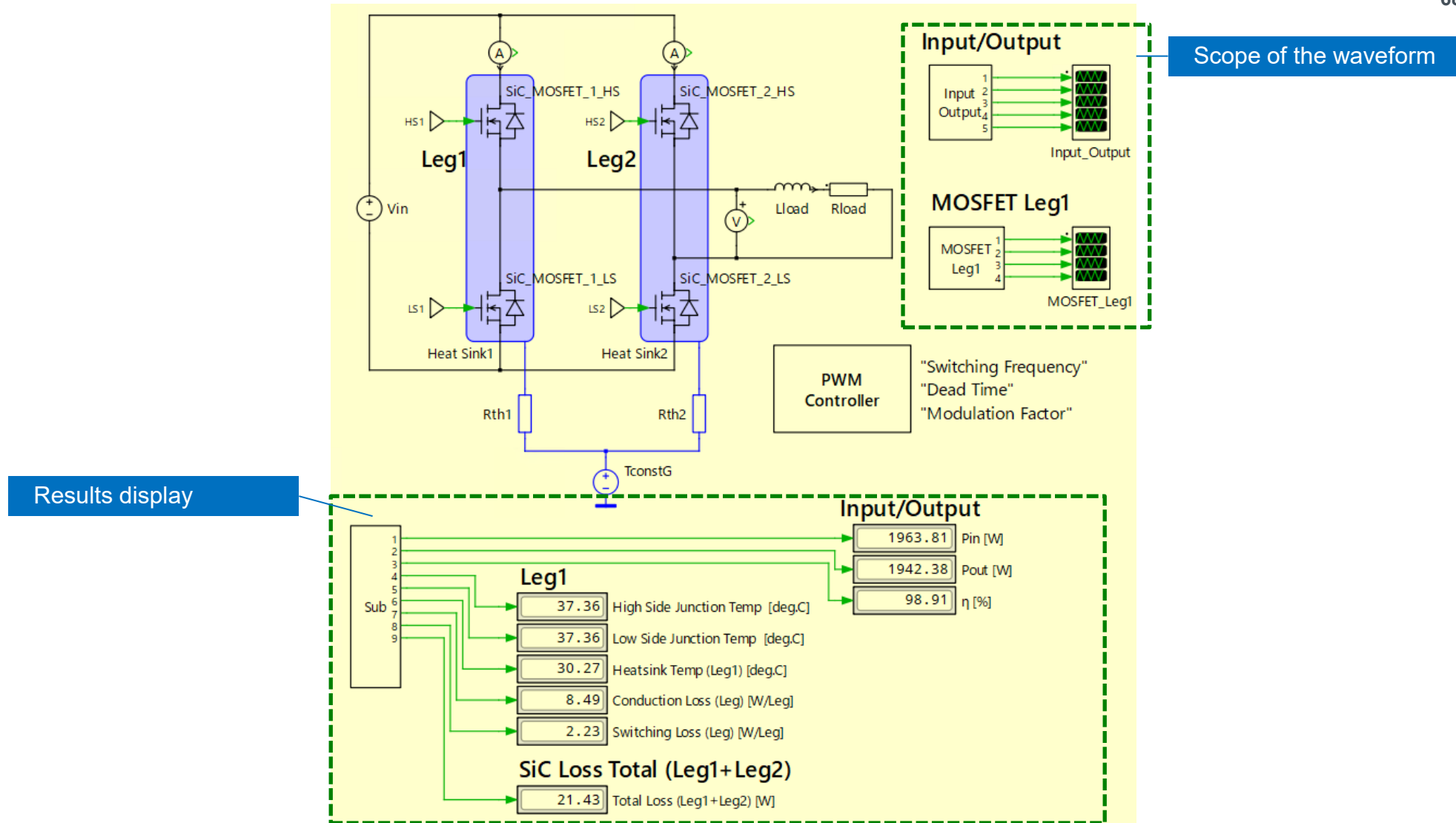
## Simulation Circuit

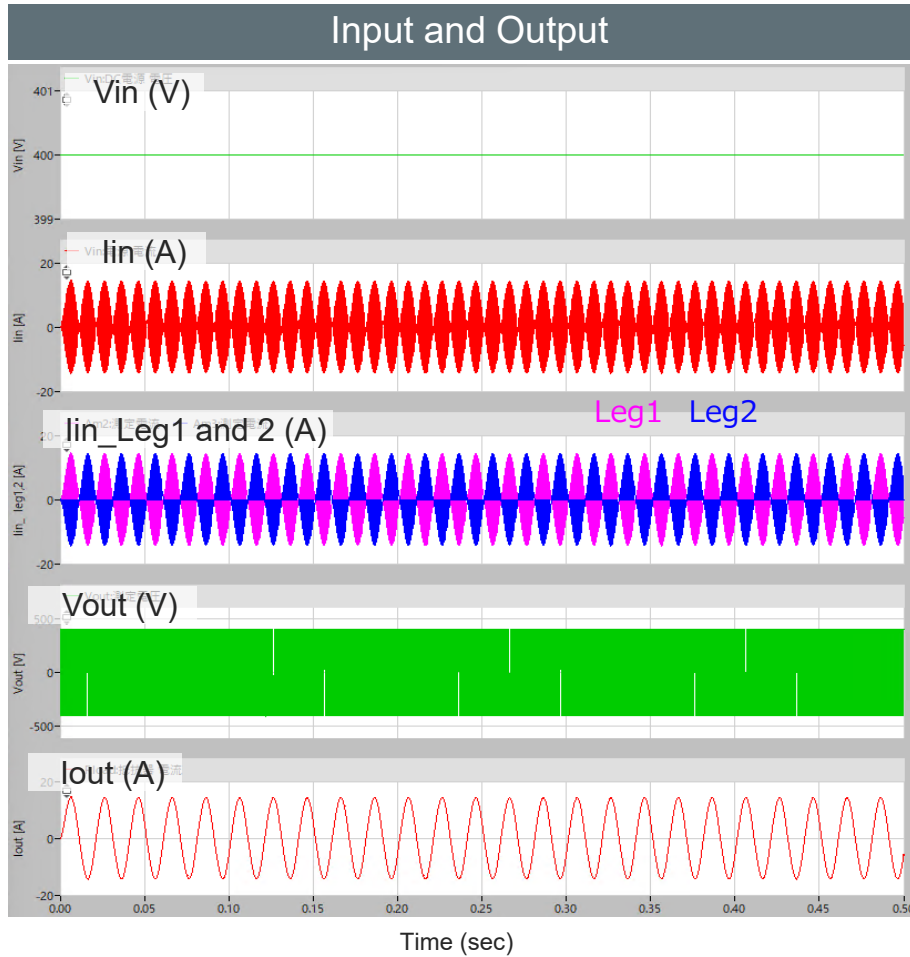


## Power Devices

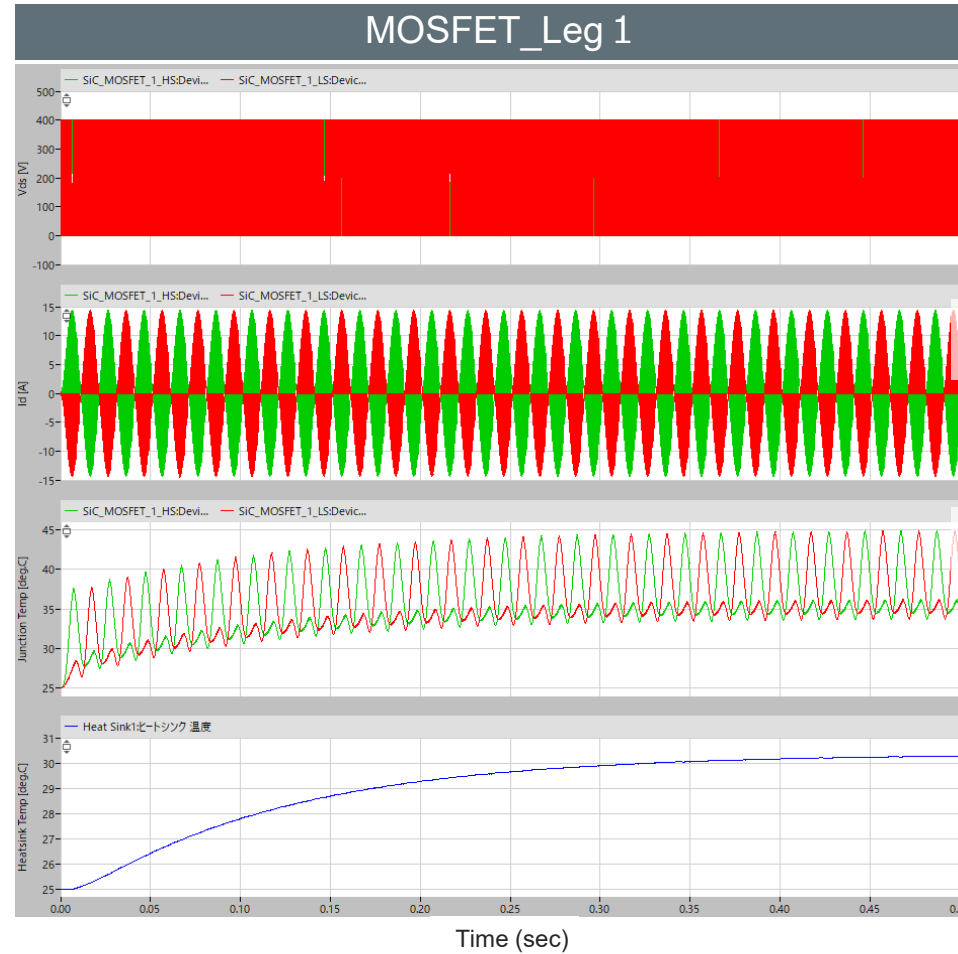
Name	Device Type	Part No.	Specification
Q1~Q4	SiC-MOSFET	SCT4065DR	750V/25A/65mΩ/TO-247-4L

# Simulation Screen Overview





Contents	Results
Input Power : $P_{in}$	1.964(kW)
Output Power: $P_{out}$	1.942 (kW)
Efficiency: $\eta$	98.91 (%)



High-Side  
Low-Side

High-Side  
Low-Side

Contents	Results
Junction Temp: $T_j$ (HS)	37.36 (°C)
Heatsink Temp: $T_{hs}$	30.27 (°C)
Conduction Loss: $P_{cond}$ (Leg)	8.49 (W/Leg)
Switching Loss: $P_{sw}$ (Leg)	2.23 (W/Leg)
Total Loss: $P_{total}$ (Leg1+Leg2)	21.43 (W)

To run this PLECS Reference Circuit, you must have the "PLECS" simulation software installed on your computer.

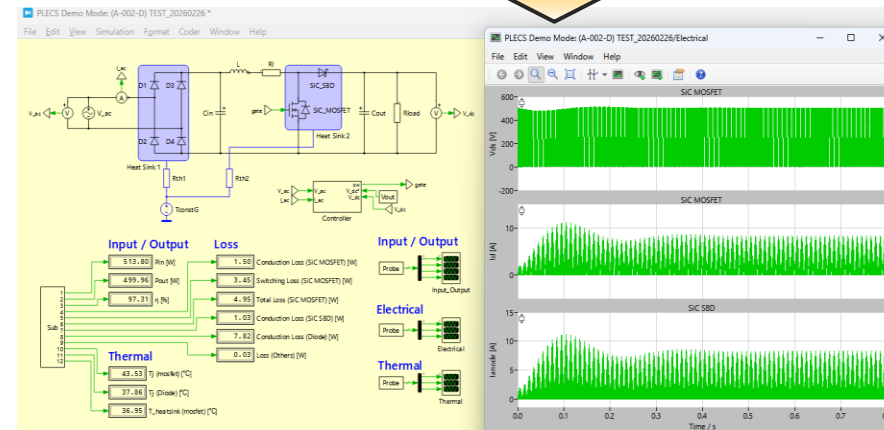
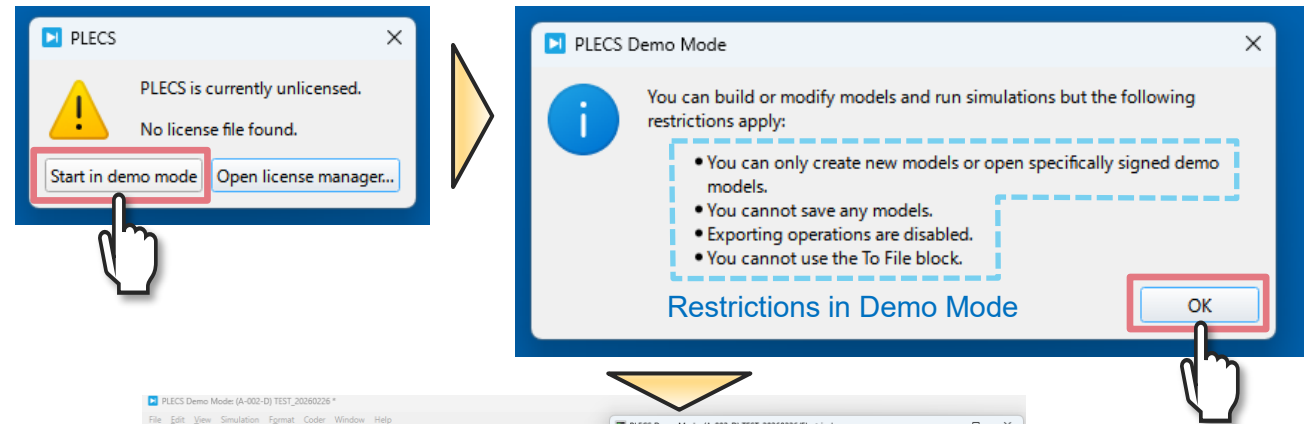
## 1. Obtaining the Software

If you do not have PLECS installed, please download the installer from the official website and complete the setup process.

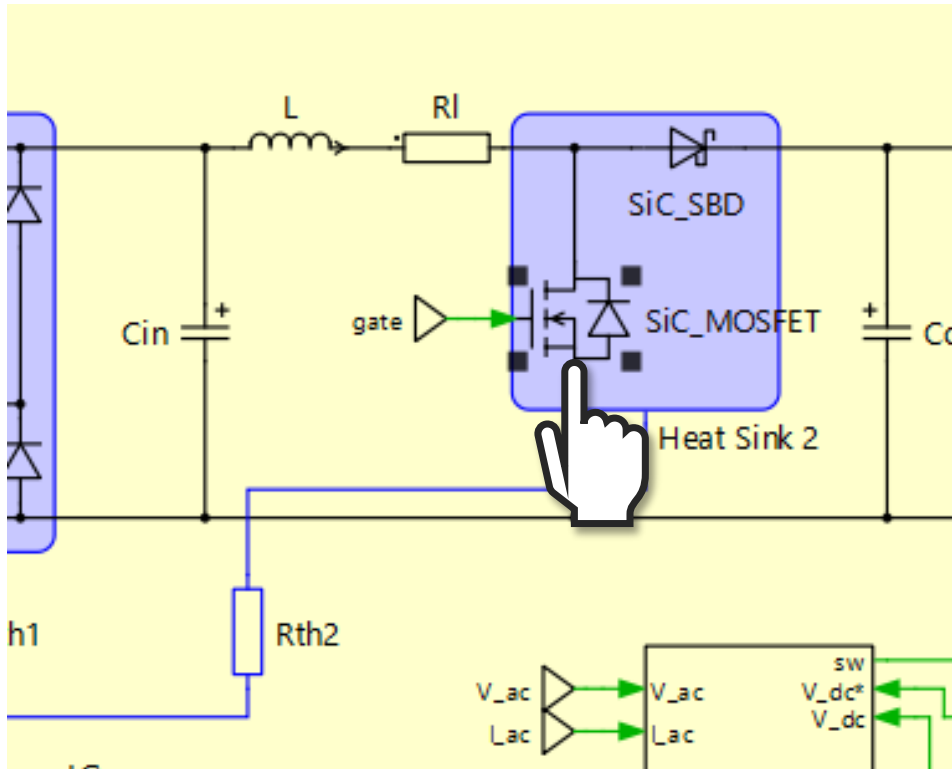
<https://www.plexim.com/download>

## 2. Licensing (Using Demo Mode)

This reference circuit can be executed and viewed in "Demo Mode" even if you do not possess a paid license.



## Schematic window



Block Parameters: (A-002-D) AC-DC Boost PFC Diode Rectific... X

SiC-MOSFET (mask)

Model Generated by ROHM  
All Rights Reserved  
Commercial Use or Resale Restricted

Date: 21-Jan.-2026

Parameters Assertions

SiC-MOSFET:  
SiCMOS

Custom variables:  
struct('Rg\_on', 'Rg\_on', 'Rg\_off', 'Rg\_off', 'sw', 'sw')

Gate resistance (on):  
Rg\_on

Gate resistance (off):  
Rg\_off

Initial temperature:  
T\_init

Initial Ron:  
Ron\_init

OK Cancel Apply Help

- From library...
- By reference
- Edit...
- Remove
- New thermal description...
- New thermal package description...

[SiC-MOSFET] TO-247-4L\_750V\_25A\_65mΩ (SCT4065DR)  
[SiC-MOSFET] TO-247-4L\_750V\_34A\_45mΩ (SCT4045DR)  
[SiC-MOSFET] TO-247-4L\_750V\_42A\_36mΩ (SCT4036DR)  
[SiC-MOSFET] TO-247-4L\_750V\_56A\_26mΩ (SCT4026DR)  
[SiC-MOSFET] TO-247N\_1200V\_19A\_90mΩ (SCT4090KE)  
[SiC-MOSFET] TO-247N\_1200V\_26A\_62mΩ (SCT4062KE)  
[SiC-MOSFET] TO-247N\_1200V\_32A\_50mΩ (SCT4050KE)  
[SiC-MOSFET] TO-247N\_1200V\_40A\_36mΩ (SCT4036KE)  
[SiC-MOSFET] TO-247N\_1200V\_81A\_18mΩ (SCT4018KE)  
[SiC-MOSFET] TO-247N\_750V\_105A\_13mΩ (SCT4013DE)  
[SiC-MOSFET] TO-247N\_750V\_25A\_65mΩ (SCT4065DE)  
[SiC-MOSFET] TO-247N\_750V\_34A\_45mΩ (SCT4045DE)  
[SiC-MOSFET] TO-247N\_750V\_42A\_36mΩ (SCT4036DE)  
[SiC-MOSFET] TO-247N\_750V\_56A\_26mΩ (SCT4026DE)  
[SiC-MOSFET] TO-263-7LA\_1200V\_17A\_90mΩ (SCT4090KWA)  
[SiC-MOSFET] TO-263-7LA\_1200V\_24A\_62mΩ (SCT4062KWA)  
[SiC-MOSFET] TO-263-7LA\_1200V\_29A\_50mΩ (SCT4050KWA)  
[SiC-MOSFET] TO-263-7LA\_1200V\_40A\_36mΩ (SCT4036KWA)  
[SiC-MOSFET] TO-263-7LA\_1200V\_75A\_18mΩ (SCT4018KWA)  
[SiC-MOSFET] TO-263-7LA\_750V\_22A\_65mΩ (SCT4065DWA)  
[SiC-MOSFET] TO-263-7LA\_750V\_31A\_45mΩ (SCT4045DWA)  
[SiC-MOSFET] TO-263-7LA\_750V\_38A\_36mΩ (SCT4036DWA)  
[SiC-MOSFET] TO-263-7LA\_750V\_51A\_26mΩ (SCT4026DWA)  
[SiC-MOSFET] TOLL\_750V\_120A\_13mΩ (SCT4013DLL)  
[SiC-MOSFET] TOLL\_750V\_26A\_65mΩ (SCT4065DLL)  
[SiC-MOSFET] TOLL\_750V\_37A\_45mΩ (SCT4045DLL)

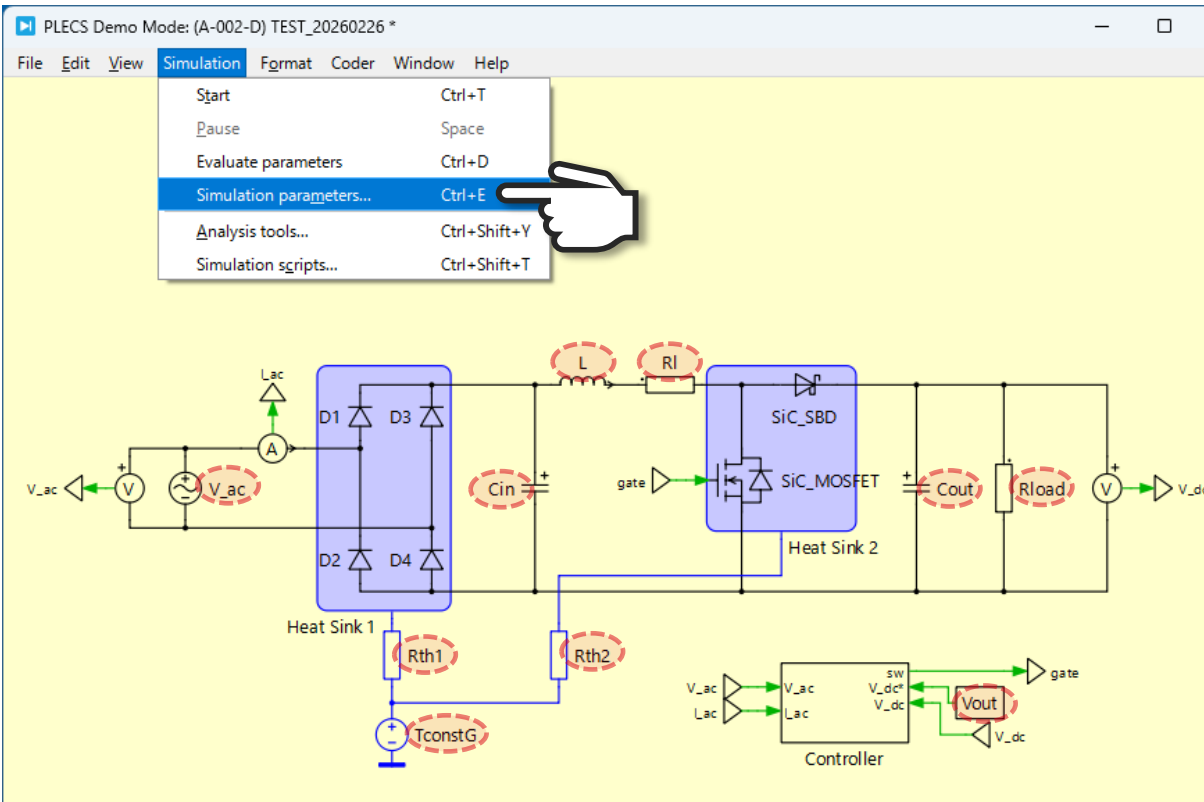
Hover your mouse cursor over the device symbol that you want to change and double-click the left button of the mouse.

Click "... " > "From library..." to view the list of available devices and you can select a favorite device from these.

If the model you need is not in the list, please refer to the application note "[How to Use PLECS Models](#)".

# How to change the simulation parameters

## Schematic window



```
1 % General|
2 Test time = 0.8; % End time of simulation [s]
3 SiCMOS = 'file:SC14065DR';
4 SiCSBD = 'file:SCS320AG';
5
6 % Grid
7 Vin = 100;
8 %Wac = Vin*sqrt(2); % Grid voltage [V]
9 Vout = 500
10 F = 50.0; % Grid frequency [Hz]
11
12 % Plant
13 fs_k = 50; % Switching frequency [kHz]
14 %fs = fs_k*1e3; % Switching frequency [Hz]
15
16 Rl = 0.001
17 Rload = 500; % Load resistance [ohms]
18 Rsense = 0.0025; % Sense resistance [ohms]
19 L = 1e-3; % Choke inductance [H]
20 Cin = 0.1e-6; % Input capacitor [C]
21 Cout = 1e-3; % Output capacitor [C]
22 C1 = 470e-9; % Reference capacitor [C]
23
24 %Wcout_init = Vout; %Initial Voltage of Output Capacitor [V]
25
26
27 R_Di = 0.02; % Diode On-resistance [ohm]
28 V_F_Di = 0.6; % Diode On-resistance [ohm]
29
30 % Thermal system
31 T_init = 25; % Initial Temperature of Heatsink [deg.C]
32 Thcap_1 = 0.001; % Thermal capacitance of Heatsink [J/K]
33 Thcap_2 = 0.001; % Thermal capacitance of Heatsink [J/K]
34 Rth_1 = 2.0; % Thermal Resistance [K/W]
35 Rth_2 = 2.0; % Thermal Resistance [K/W]
36 T_GND = 25; %Thermal GND Temperature [deg.C]
37
```

All simulation parameters are parameterized. To modify them, go to the menu, select “Simulation parameters...”, and edit the values within “Model initialization commands.”

### Notice

- 1) The information contained in this document is intended to introduce ROHM Group (hereafter referred to as ROHM) products. When using ROHM products, please verify the latest specifications or datasheets before use.
- 2) ROHM products are designed and manufactured for use in general electronic equipment and applications (such as Audio Visual equipment, Office Automation equipment, telecommunication equipment, home appliances, amusement devices, etc.) or specified in the datasheets. Therefore, please contact the ROHM sales representative before using ROHM products in equipment or devices requiring extremely high reliability and whose failure or malfunction may cause danger or injury to human life or body or other serious damage (such as medical equipment, transportation, traffic, aircraft, spacecraft, nuclear power controllers, fuel control, automotive equipment including car accessories, etc. hereafter referred to as Specific Applications). Unless otherwise agreed in writing by ROHM in advance, ROHM shall not be in any way responsible or liable for any damages, expenses, or losses incurred by you or third parties arising from the use of ROHM Products for Specific Applications.
- 3) Electronic components, including semiconductors, can fail or malfunction at a certain rate. Please be sure to implement, at your own responsibilities, adequate safety measures including but not limited to fail-safe design against physical injury, and damage to any property, which a failure or malfunction of products may cause.
- 4) The information contained in this document, including application circuit examples and their constants, is intended to explain the standard operation and usage of ROHM products, and is not intended to guarantee, either explicitly or implicitly, the operation of the product in the actual equipment it will be used. As a result, you are solely responsible for it, and you must exercise your own independent verification and judgment in the use of such information contained in this document. ROHM shall not be in any way responsible or liable for any damages, expenses, or losses incurred by you or third parties arising from the use of such information.
- 5) When exporting ROHM products or technologies described in this document to other countries, you must abide by the procedures and provisions stipulated in all applicable export laws and regulations, such as the Foreign Exchange and Foreign Trade Act and the US Export Administration Regulations, and follow the necessary procedures in accordance with these provisions.
- 6) The technical information and data described in this document, including typical application circuits, are examples only and are not intended to guarantee to be free from infringement of third parties intellectual property or other rights. ROHM does not grant any license, express or implied, to implement, use, or exploit any intellectual property or other rights owned or controlled by ROHM or any third parties with respect to the information contained herein.
- 7) No part of this document may be reprinted or reproduced in any form by any means without the prior written consent of ROHM.
- 8) All information contained in this document is current as of the date of publication and subject to change without notice. Before purchasing or using ROHM products, please confirm the latest information with the ROHM sales representative.
- 9) ROHM does not warrant that the information contained herein is error-free. ROHM shall not be in any way responsible or liable for any damages, expenses, or losses incurred by you or third parties resulting from errors contained in this document.



Thank you for your accessing to ROHM product informations.  
More detail product informations and catalogs are available, please contact us.

## ROHM Customer Support System

<https://www.rohm.com/contactus>