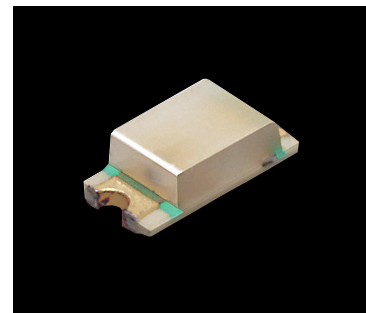


## ■ 特長

- 独自のデバイス技術で高輝度、高信頼性を実現
- $I_F = 2\text{mA}$ の低電流駆動

## ■ 外観図

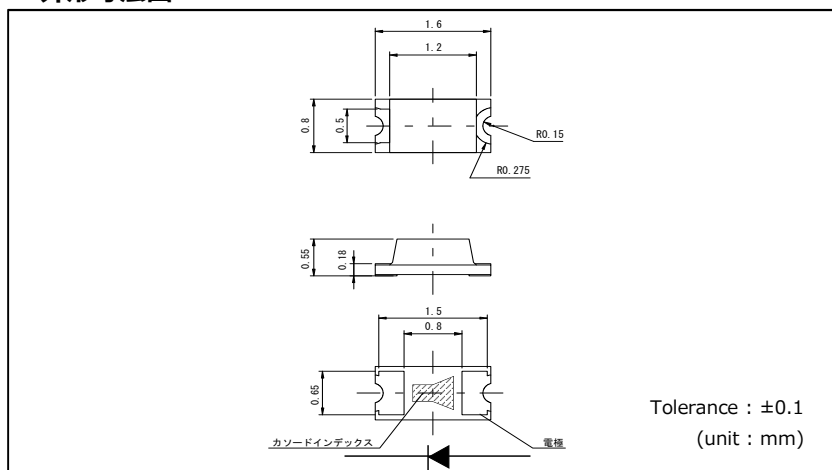


## ■ サイズ情報

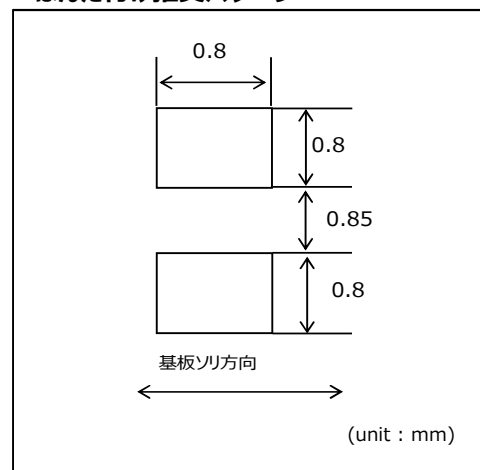
1608 (0603)  
1.6 × 0.8mm (t=0.55mm)

Color Type W

## ■ 外形寸法図



## ■ はんだ付け推奨パターン



■ 感湿性レベル(MSL) : レベル3相当

## ■ 製品仕様

| 品名             | 素子材質    | 発光色 | 絶対最大定格 (Ta=25°C) |            |               |           |                | 電気的光学的特性 (Ta=25°C) |             |       |             |       |                  |       |        |          |      |      |       |
|----------------|---------|-----|------------------|------------|---------------|-----------|----------------|--------------------|-------------|-------|-------------|-------|------------------|-------|--------|----------|------|------|-------|
|                |         |     | 許容損失             | 順方向電流      | ピーク順方向電流      | 逆方向電圧     | 動作温度           | 保存温度               | 順方向電圧 $V_F$ |       | 逆方向電流 $I_R$ |       | 発光波長 $\lambda_D$ |       |        | 光度 $I_V$ |      |      |       |
|                |         |     | $P_D$ (mW)       | $I_F$ (mA) | $I_{FP}$ (mA) | $V_R$ (V) | $T_{opr}$ (°C) | $T_{stg}$ (°C)     | Typ.        | $I_F$ | Max.        | $V_R$ | Min.*2           | Typ.  | Max.*2 | $I_F$    | Min. | Typ. | $I_F$ |
| SML-D12W8W (A) | AlGaInP | 黄   | 52               | 20         | 100*1         | 12        | -40 ~ +100     | -40 ~ +100         | 2.0         | 2     | 10          | 12    | 586              | 587.5 | 589    | 2        | 4.5  | 7.1  | 2     |

\*1 : Duty 1/10, 1kHz \*2 : 測定公差: ±1nm

■ 電気的特性曲線

Reference

Fig.1 Forward Current - Forward Voltages

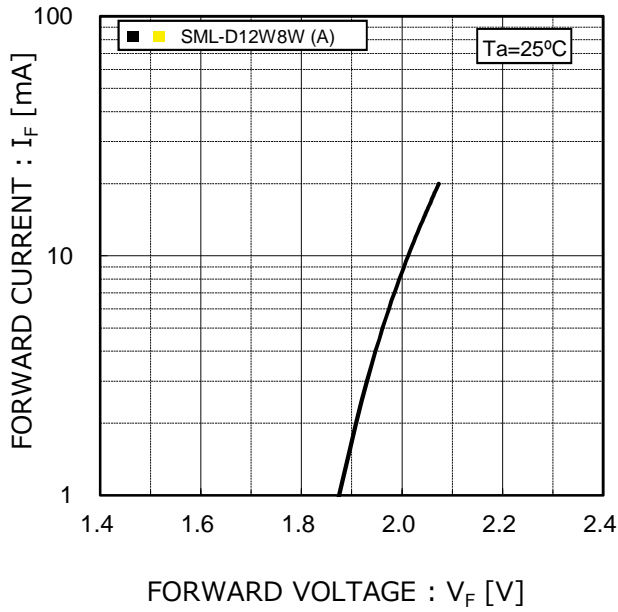


Fig.2 Luminous Intensity - Atmosphere Temperature

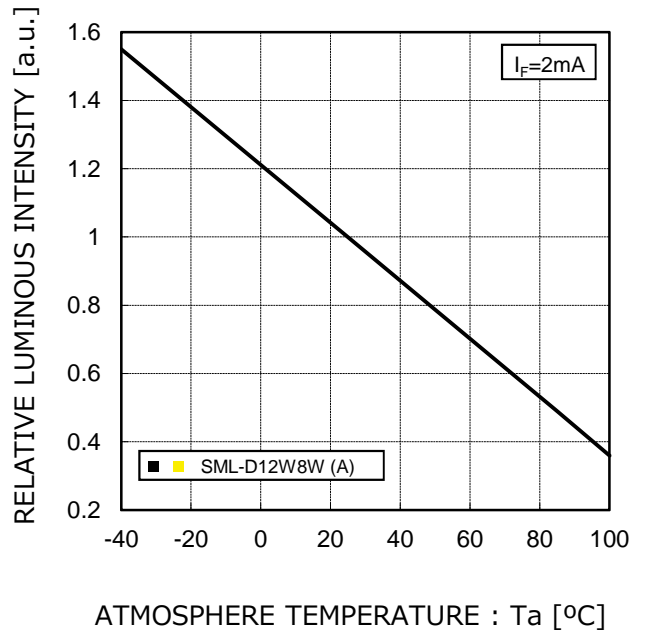


Fig.3 Luminous Intensity - Forward Current

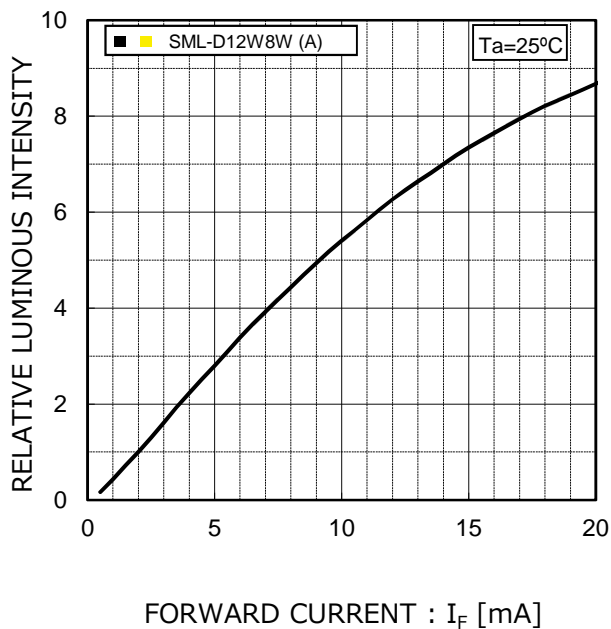
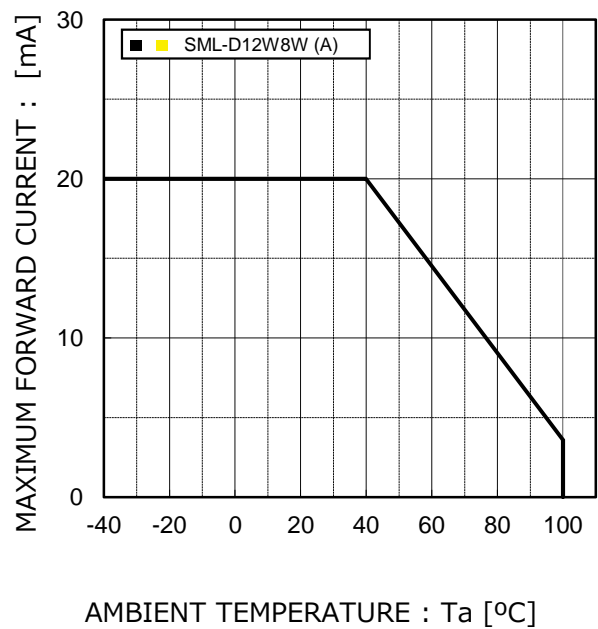
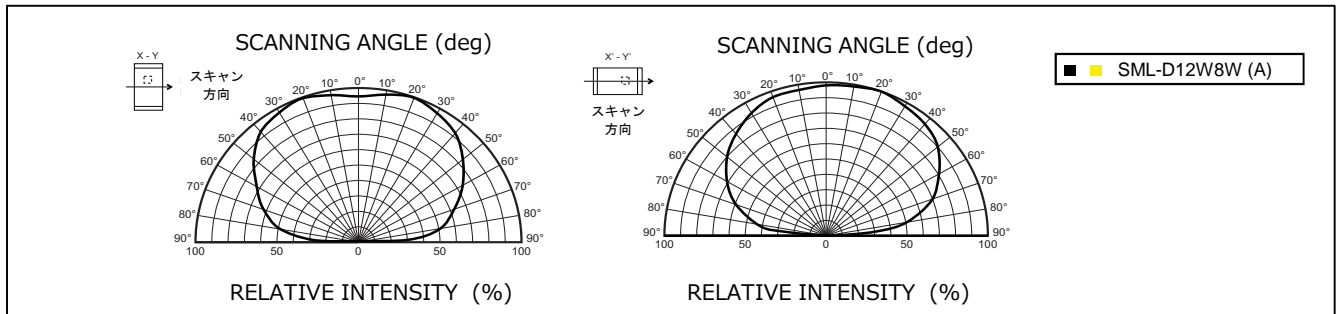


Fig.4 Derating



■ 指向特性

Reference



## ■ 光度ランク表\*

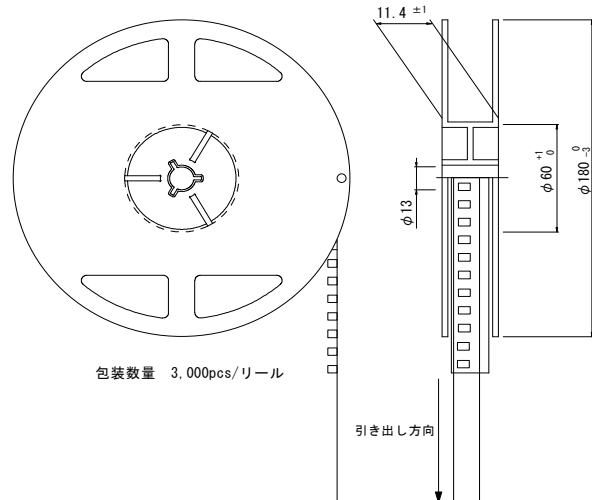
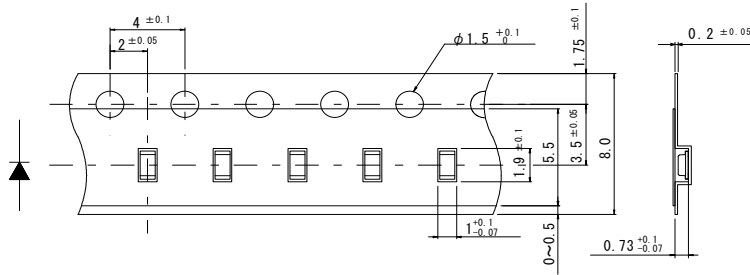
\*測定公差：±10%

## 黄(W)色

(Ta=25°C, If=2mA)

| ランク            | AA       | AB       | AC       | AD      | AE      | AF      | AG       | AH      | AJ    | AK      | AL      | AM      | AN      |
|----------------|----------|----------|----------|---------|---------|---------|----------|---------|-------|---------|---------|---------|---------|
| 光度 (mcd)       | 2.24~2.8 | 2.8~3.55 | 3.55~4.5 | 4.5~5.6 | 5.6~7.1 | 7.1~9.0 | 9.0~11.2 | 11.2~14 | 14~18 | 18~22.4 | 22.4~28 | 28~35.5 | 35.5~45 |
| SML-D12W8W (A) |          |          |          |         |         |         |          |         |       |         |         |         |         |

■テーピング図(T86)



包装数量 3,000pcs/リール

単位 : mm

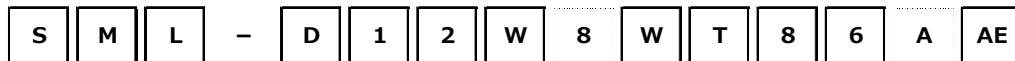
注)指示なき一般公差は、±0.2mmとする。

■形名の構成

WB、B、E色につきましては、  
"-"がありませんのでご注意ください

WB、B、E色については  
管理記号が入ります

色度分類記号  
(白色の場合のみ) 光度分類記号\*



|            |  |       |                 |     |                  |    |                  |    |                  |    |                 |    |                 |       |                 |    |                   |       |                  |    |                 |    |                  |    |                 |    |                 |     |                 |     |                 |    |                 |   |   |           |   |          |   |        |   |         |   |   |   |   |   |   |   |    |   |    |    |    |   |    |    |    |    |    |   |    |   |    |    |     |   |     |   |    |   |    |   |    |   |    |    |    |   |          |     |        |   |   |      |   |     |   |    |                   |
|------------|--|-------|-----------------|-----|------------------|----|------------------|----|------------------|----|-----------------|----|-----------------|-------|-----------------|----|-------------------|-------|------------------|----|-----------------|----|------------------|----|-----------------|----|-----------------|-----|-----------------|-----|-----------------|----|-----------------|---|---|-----------|---|----------|---|--------|---|---------|---|---|---|---|---|---|---|----|---|----|----|----|---|----|----|----|----|----|---|----|---|----|----|-----|---|-----|---|----|---|----|---|----|---|----|----|----|---|----------|-----|--------|---|---|------|---|-----|---|----|-------------------|
| シリーズ名      | パッケージタイプ   | 素子タイプ | 素子発光色           | 樹脂色 | テーピング仕様          |    |                  |    |                  |    |                 |    |                 |       |                 |    |                   |       |                  |    |                 |    |                  |    |                 |    |                 |     |                 |     |                 |    |                 |   |   |           |   |          |   |        |   |         |   |   |   |   |   |   |   |    |   |    |    |    |   |    |    |    |    |    |   |    |   |    |    |     |   |     |   |    |   |    |   |    |   |    |    |    |   |          |     |        |   |   |      |   |     |   |    |                   |
| SML チップLED | <table border="1"> <tr><td>P1</td><td>1.0x0.6 t=0.2mm</td></tr> <tr><td>E1</td><td>1.6x0.8 t=0.36mm</td></tr> <tr><td>D1</td><td>1.6x0.8 t=0.55mm</td></tr> <tr><td>H1</td><td>2.0x1.25 t=0.8mm</td></tr> <tr><td>M1</td><td>3.0x2.0 t=1.3mm</td></tr> <tr><td>O1</td><td>3.5x2.8 t=1.9mm</td></tr> <tr><td>21/21</td><td>3.5x2.8 t=1.9mm</td></tr> <tr><td>A1</td><td>1.6x1.15 t=0.55mm</td></tr> <tr><td>81/82</td><td>3.4x1.25 t=1.1mm</td></tr> <tr><td>K1</td><td>4.5x2.0 t=0.6mm</td></tr> <tr><td>S1</td><td>3.2x1.6 t=1.85mm</td></tr> <tr><td>P2</td><td>1.0x1.0 t=0.2mm</td></tr> <tr><td>S2</td><td>1.3x1.5 t=0.6mm</td></tr> <tr><td>P34</td><td>1.0x1.0 t=0.2mm</td></tr> <tr><td>P36</td><td>1.5x1.0 t=0.2mm</td></tr> <tr><td>VN</td><td>3.5x2.8 t=0.6mm</td></tr> </table> | P1    | 1.0x0.6 t=0.2mm | E1  | 1.6x0.8 t=0.36mm | D1 | 1.6x0.8 t=0.55mm | H1 | 2.0x1.25 t=0.8mm | M1 | 3.0x2.0 t=1.3mm | O1 | 3.5x2.8 t=1.9mm | 21/21 | 3.5x2.8 t=1.9mm | A1 | 1.6x1.15 t=0.55mm | 81/82 | 3.4x1.25 t=1.1mm | K1 | 4.5x2.0 t=0.6mm | S1 | 3.2x1.6 t=1.85mm | P2 | 1.0x1.0 t=0.2mm | S2 | 1.3x1.5 t=0.6mm | P34 | 1.0x1.0 t=0.2mm | P36 | 1.5x1.0 t=0.2mm | VN | 3.5x2.8 t=0.6mm | <table border="1"> <tr><td>0</td><td>スタンダードタイプ</td></tr> <tr><td>1</td><td>低消費電力タイプ</td></tr> <tr><td>2</td><td>高輝度タイプ</td></tr> <tr><td>3</td><td rowspan="6">超高輝度タイプ</td></tr> <tr><td>4</td></tr> <tr><td>5</td></tr> <tr><td>6</td></tr> <tr><td>7</td></tr> <tr><td>8</td></tr> </table> | 0 | スタンダードタイプ | 1 | 低消費電力タイプ | 2 | 高輝度タイプ | 3 | 超高輝度タイプ | 4 | 5 | 6 | 7 | 8 | <table border="1"> <tr><td>V</td><td>赤色</td></tr> <tr><td>U</td><td>赤色</td></tr> <tr><td>U2</td><td>赤色</td></tr> <tr><td>D</td><td>橙色</td></tr> <tr><td>Y3</td><td>黄色</td></tr> <tr><td>Y2</td><td>黄色</td></tr> <tr><td>Y</td><td>黄色</td></tr> <tr><td>W</td><td>黄色</td></tr> <tr><td>M2</td><td>黄緑色</td></tr> <tr><td>M</td><td>黄緑色</td></tr> <tr><td>F</td><td>緑色</td></tr> <tr><td>P</td><td>緑色</td></tr> <tr><td>E</td><td>緑色</td></tr> <tr><td>B</td><td>青色</td></tr> <tr><td>WB</td><td>白色</td></tr> <tr><td>T</td><td>フォトランジスタ</td></tr> <tr><td>RGB</td><td>赤・緑・青色</td></tr> </table> | V | 赤色 | U | 赤色 | U2 | 赤色 | D | 橙色 | Y3 | 黄色 | Y2 | 黄色 | Y | 黄色 | W | 黄色 | M2 | 黄緑色 | M | 黄緑色 | F | 緑色 | P | 緑色 | E | 緑色 | B | 青色 | WB | 白色 | T | フォトランジスタ | RGB | 赤・緑・青色 | <table border="1"> <tr><td>T</td><td>無色透明</td></tr> <tr><td>W</td><td>乳白色</td></tr> <tr><td>B</td><td>黒色</td></tr> </table> | T | 無色透明 | W | 乳白色 | B | 黒色 | T86 送り穴側カソード (上面) |
| P1         | 1.0x0.6 t=0.2mm  |       |                 |     |                  |    |                  |    |                  |    |                 |    |                 |       |                 |    |                   |       |                  |    |                 |    |                  |    |                 |    |                 |     |                 |     |                 |    |                 |   |   |           |   |          |   |        |   |         |   |   |   |   |   |   |   |    |   |    |    |    |   |    |    |    |    |    |   |    |   |    |    |     |   |     |   |    |   |    |   |    |   |    |    |    |   |          |     |        |   |   |      |   |     |   |    |                   |
| E1         | 1.6x0.8 t=0.36mm   |       |                 |     |                  |    |                  |    |                  |    |                 |    |                 |       |                 |    |                   |       |                  |    |                 |    |                  |    |                 |    |                 |     |                 |     |                 |    |                 |   |   |           |   |          |   |        |   |         |   |   |   |   |   |   |   |    |   |    |    |    |   |    |    |    |    |    |   |    |   |    |    |     |   |     |   |    |   |    |   |    |   |    |    |    |   |          |     |        |   |   |      |   |     |   |    |                   |
| D1         | 1.6x0.8 t=0.55mm   |       |                 |     |                  |    |                  |    |                  |    |                 |    |                 |       |                 |    |                   |       |                  |    |                 |    |                  |    |                 |    |                 |     |                 |     |                 |    |                 |   |   |           |   |          |   |        |   |         |   |   |   |   |   |   |   |    |   |    |    |    |   |    |    |    |    |    |   |    |   |    |    |     |   |     |   |    |   |    |   |    |   |    |    |    |   |          |     |        |   |   |      |   |     |   |    |                   |
| H1         | 2.0x1.25 t=0.8mm   |       |                 |     |                  |    |                  |    |                  |    |                 |    |                 |       |                 |    |                   |       |                  |    |                 |    |                  |    |                 |    |                 |     |                 |     |                 |    |                 |   |   |           |   |          |   |        |   |         |   |   |   |   |   |   |   |    |   |    |    |    |   |    |    |    |    |    |   |    |   |    |    |     |   |     |   |    |   |    |   |    |   |    |    |    |   |          |     |        |   |   |      |   |     |   |    |                   |
| M1         | 3.0x2.0 t=1.3mm  |       |                 |     |                  |    |                  |    |                  |    |                 |    |                 |       |                 |    |                   |       |                  |    |                 |    |                  |    |                 |    |                 |     |                 |     |                 |    |                 |   |   |           |   |          |   |        |   |         |   |   |   |   |   |   |   |    |   |    |    |    |   |    |    |    |    |    |   |    |   |    |    |     |   |     |   |    |   |    |   |    |   |    |    |    |   |          |     |        |   |   |      |   |     |   |    |                   |
| O1         | 3.5x2.8 t=1.9mm  |       |                 |     |                  |    |                  |    |                  |    |                 |    |                 |       |                 |    |                   |       |                  |    |                 |    |                  |    |                 |    |                 |     |                 |     |                 |    |                 |   |   |           |   |          |   |        |   |         |   |   |   |   |   |   |   |    |   |    |    |    |   |    |    |    |    |    |   |    |   |    |    |     |   |     |   |    |   |    |   |    |   |    |    |    |   |          |     |        |   |   |      |   |     |   |    |                   |
| 21/21      | 3.5x2.8 t=1.9mm  |       |                 |     |                  |    |                  |    |                  |    |                 |    |                 |       |                 |    |                   |       |                  |    |                 |    |                  |    |                 |    |                 |     |                 |     |                 |    |                 |   |   |           |   |          |   |        |   |         |   |   |   |   |   |   |   |    |   |    |    |    |   |    |    |    |    |    |   |    |   |    |    |     |   |     |   |    |   |    |   |    |   |    |    |    |   |          |     |        |   |   |      |   |     |   |    |                   |
| A1         | 1.6x1.15 t=0.55mm  |       |                 |     |                  |    |                  |    |                  |    |                 |    |                 |       |                 |    |                   |       |                  |    |                 |    |                  |    |                 |    |                 |     |                 |     |                 |    |                 |   |   |           |   |          |   |        |   |         |   |   |   |   |   |   |   |    |   |    |    |    |   |    |    |    |    |    |   |    |   |    |    |     |   |     |   |    |   |    |   |    |   |    |    |    |   |          |     |        |   |   |      |   |     |   |    |                   |
| 81/82      | 3.4x1.25 t=1.1mm   |       |                 |     |                  |    |                  |    |                  |    |                 |    |                 |       |                 |    |                   |       |                  |    |                 |    |                  |    |                 |    |                 |     |                 |     |                 |    |                 |   |   |           |   |          |   |        |   |         |   |   |   |   |   |   |   |    |   |    |    |    |   |    |    |    |    |    |   |    |   |    |    |     |   |     |   |    |   |    |   |    |   |    |    |    |   |          |     |        |   |   |      |   |     |   |    |                   |
| K1         | 4.5x2.0 t=0.6mm  |       |                 |     |                  |    |                  |    |                  |    |                 |    |                 |       |                 |    |                   |       |                  |    |                 |    |                  |    |                 |    |                 |     |                 |     |                 |    |                 |   |   |           |   |          |   |        |   |         |   |   |   |   |   |   |   |    |   |    |    |    |   |    |    |    |    |    |   |    |   |    |    |     |   |     |   |    |   |    |   |    |   |    |    |    |   |          |     |        |   |   |      |   |     |   |    |                   |
| S1         | 3.2x1.6 t=1.85mm   |       |                 |     |                  |    |                  |    |                  |    |                 |    |                 |       |                 |    |                   |       |                  |    |                 |    |                  |    |                 |    |                 |     |                 |     |                 |    |                 |   |   |           |   |          |   |        |   |         |   |   |   |   |   |   |   |    |   |    |    |    |   |    |    |    |    |    |   |    |   |    |    |     |   |     |   |    |   |    |   |    |   |    |    |    |   |          |     |        |   |   |      |   |     |   |    |                   |
| P2         | 1.0x1.0 t=0.2mm  |       |                 |     |                  |    |                  |    |                  |    |                 |    |                 |       |                 |    |                   |       |                  |    |                 |    |                  |    |                 |    |                 |     |                 |     |                 |    |                 |   |   |           |   |          |   |        |   |         |   |   |   |   |   |   |   |    |   |    |    |    |   |    |    |    |    |    |   |    |   |    |    |     |   |     |   |    |   |    |   |    |   |    |    |    |   |          |     |        |   |   |      |   |     |   |    |                   |
| S2         | 1.3x1.5 t=0.6mm  |       |                 |     |                  |    |                  |    |                  |    |                 |    |                 |       |                 |    |                   |       |                  |    |                 |    |                  |    |                 |    |                 |     |                 |     |                 |    |                 |   |   |           |   |          |   |        |   |         |   |   |   |   |   |   |   |    |   |    |    |    |   |    |    |    |    |    |   |    |   |    |    |     |   |     |   |    |   |    |   |    |   |    |    |    |   |          |     |        |   |   |      |   |     |   |    |                   |
| P34        | 1.0x1.0 t=0.2mm  |       |                 |     |                  |    |                  |    |                  |    |                 |    |                 |       |                 |    |                   |       |                  |    |                 |    |                  |    |                 |    |                 |     |                 |     |                 |    |                 |   |   |           |   |          |   |        |   |         |   |   |   |   |   |   |   |    |   |    |    |    |   |    |    |    |    |    |   |    |   |    |    |     |   |     |   |    |   |    |   |    |   |    |    |    |   |          |     |        |   |   |      |   |     |   |    |                   |
| P36        | 1.5x1.0 t=0.2mm  |       |                 |     |                  |    |                  |    |                  |    |                 |    |                 |       |                 |    |                   |       |                  |    |                 |    |                  |    |                 |    |                 |     |                 |     |                 |    |                 |   |   |           |   |          |   |        |   |         |   |   |   |   |   |   |   |    |   |    |    |    |   |    |    |    |    |    |   |    |   |    |    |     |   |     |   |    |   |    |   |    |   |    |    |    |   |          |     |        |   |   |      |   |     |   |    |                   |
| VN         | 3.5x2.8 t=0.6mm  |       |                 |     |                  |    |                  |    |                  |    |                 |    |                 |       |                 |    |                   |       |                  |    |                 |    |                  |    |                 |    |                 |     |                 |     |                 |    |                 |   |   |           |   |          |   |        |   |         |   |   |   |   |   |   |   |    |   |    |    |    |   |    |    |    |    |    |   |    |   |    |    |     |   |     |   |    |   |    |   |    |   |    |    |    |   |          |     |        |   |   |      |   |     |   |    |                   |
| 0          | スタンダードタイプ  |       |                 |     |                  |    |                  |    |                  |    |                 |    |                 |       |                 |    |                   |       |                  |    |                 |    |                  |    |                 |    |                 |     |                 |     |                 |    |                 |   |   |           |   |          |   |        |   |         |   |   |   |   |   |   |   |    |   |    |    |    |   |    |    |    |    |    |   |    |   |    |    |     |   |     |   |    |   |    |   |    |   |    |    |    |   |          |     |        |   |   |      |   |     |   |    |                   |
| 1          | 低消費電力タイプ   |       |                 |     |                  |    |                  |    |                  |    |                 |    |                 |       |                 |    |                   |       |                  |    |                 |    |                  |    |                 |    |                 |     |                 |     |                 |    |                 |   |   |           |   |          |   |        |   |         |   |   |   |   |   |   |   |    |   |    |    |    |   |    |    |    |    |    |   |    |   |    |    |     |   |     |   |    |   |    |   |    |   |    |    |    |   |          |     |        |   |   |      |   |     |   |    |                   |
| 2          | 高輝度タイプ   |       |                 |     |                  |    |                  |    |                  |    |                 |    |                 |       |                 |    |                   |       |                  |    |                 |    |                  |    |                 |    |                 |     |                 |     |                 |    |                 |   |   |           |   |          |   |        |   |         |   |   |   |   |   |   |   |    |   |    |    |    |   |    |    |    |    |    |   |    |   |    |    |     |   |     |   |    |   |    |   |    |   |    |    |    |   |          |     |        |   |   |      |   |     |   |    |                   |
| 3          | 超高輝度タイプ  |       |                 |     |                  |    |                  |    |                  |    |                 |    |                 |       |                 |    |                   |       |                  |    |                 |    |                  |    |                 |    |                 |     |                 |     |                 |    |                 |   |   |           |   |          |   |        |   |         |   |   |   |   |   |   |   |    |   |    |    |    |   |    |    |    |    |    |   |    |   |    |    |     |   |     |   |    |   |    |   |    |   |    |    |    |   |          |     |        |   |   |      |   |     |   |    |                   |
| 4          |  |       |                 |     |                  |    |                  |    |                  |    |                 |    |                 |       |                 |    |                   |       |                  |    |                 |    |                  |    |                 |    |                 |     |                 |     |                 |    |                 |   |   |           |   |          |   |        |   |         |   |   |   |   |   |   |   |    |   |    |    |    |   |    |    |    |    |    |   |    |   |    |    |     |   |     |   |    |   |    |   |    |   |    |    |    |   |          |     |        |   |   |      |   |     |   |    |                   |
| 5          |  |       |                 |     |                  |    |                  |    |                  |    |                 |    |                 |       |                 |    |                   |       |                  |    |                 |    |                  |    |                 |    |                 |     |                 |     |                 |    |                 |   |   |           |   |          |   |        |   |         |   |   |   |   |   |   |   |    |   |    |    |    |   |    |    |    |    |    |   |    |   |    |    |     |   |     |   |    |   |    |   |    |   |    |    |    |   |          |     |        |   |   |      |   |     |   |    |                   |
| 6          |  |       |                 |     |                  |    |                  |    |                  |    |                 |    |                 |       |                 |    |                   |       |                  |    |                 |    |                  |    |                 |    |                 |     |                 |     |                 |    |                 |   |   |           |   |          |   |        |   |         |   |   |   |   |   |   |   |    |   |    |    |    |   |    |    |    |    |    |   |    |   |    |    |     |   |     |   |    |   |    |   |    |   |    |    |    |   |          |     |        |   |   |      |   |     |   |    |                   |
| 7          |  |       |                 |     |                  |    |                  |    |                  |    |                 |    |                 |       |                 |    |                   |       |                  |    |                 |    |                  |    |                 |    |                 |     |                 |     |                 |    |                 |   |   |           |   |          |   |        |   |         |   |   |   |   |   |   |   |    |   |    |    |    |   |    |    |    |    |    |   |    |   |    |    |     |   |     |   |    |   |    |   |    |   |    |    |    |   |          |     |        |   |   |      |   |     |   |    |                   |
| 8          |  |       |                 |     |                  |    |                  |    |                  |    |                 |    |                 |       |                 |    |                   |       |                  |    |                 |    |                  |    |                 |    |                 |     |                 |     |                 |    |                 |   |   |           |   |          |   |        |   |         |   |   |   |   |   |   |   |    |   |    |    |    |   |    |    |    |    |    |   |    |   |    |    |     |   |     |   |    |   |    |   |    |   |    |    |    |   |          |     |        |   |   |      |   |     |   |    |                   |
| V          | 赤色   |       |                 |     |                  |    |                  |    |                  |    |                 |    |                 |       |                 |    |                   |       |                  |    |                 |    |                  |    |                 |    |                 |     |                 |     |                 |    |                 |   |   |           |   |          |   |        |   |         |   |   |   |   |   |   |   |    |   |    |    |    |   |    |    |    |    |    |   |    |   |    |    |     |   |     |   |    |   |    |   |    |   |    |    |    |   |          |     |        |   |   |      |   |     |   |    |                   |
| U          | 赤色   |       |                 |     |                  |    |                  |    |                  |    |                 |    |                 |       |                 |    |                   |       |                  |    |                 |    |                  |    |                 |    |                 |     |                 |     |                 |    |                 |   |   |           |   |          |   |        |   |         |   |   |   |   |   |   |   |    |   |    |    |    |   |    |    |    |    |    |   |    |   |    |    |     |   |     |   |    |   |    |   |    |   |    |    |    |   |          |     |        |   |   |      |   |     |   |    |                   |
| U2         | 赤色   |       |                 |     |                  |    |                  |    |                  |    |                 |    |                 |       |                 |    |                   |       |                  |    |                 |    |                  |    |                 |    |                 |     |                 |     |                 |    |                 |   |   |           |   |          |   |        |   |         |   |   |   |   |   |   |   |    |   |    |    |    |   |    |    |    |    |    |   |    |   |    |    |     |   |     |   |    |   |    |   |    |   |    |    |    |   |          |     |        |   |   |      |   |     |   |    |                   |
| D          | 橙色   |       |                 |     |                  |    |                  |    |                  |    |                 |    |                 |       |                 |    |                   |       |                  |    |                 |    |                  |    |                 |    |                 |     |                 |     |                 |    |                 |   |   |           |   |          |   |        |   |         |   |   |   |   |   |   |   |    |   |    |    |    |   |    |    |    |    |    |   |    |   |    |    |     |   |     |   |    |   |    |   |    |   |    |    |    |   |          |     |        |   |   |      |   |     |   |    |                   |
| Y3         | 黄色   |       |                 |     |                  |    |                  |    |                  |    |                 |    |                 |       |                 |    |                   |       |                  |    |                 |    |                  |    |                 |    |                 |     |                 |     |                 |    |                 |   |   |           |   |          |   |        |   |         |   |   |   |   |   |   |   |    |   |    |    |    |   |    |    |    |    |    |   |    |   |    |    |     |   |     |   |    |   |    |   |    |   |    |    |    |   |          |     |        |   |   |      |   |     |   |    |                   |
| Y2         | 黄色   |       |                 |     |                  |    |                  |    |                  |    |                 |    |                 |       |                 |    |                   |       |                  |    |                 |    |                  |    |                 |    |                 |     |                 |     |                 |    |                 |   |   |           |   |          |   |        |   |         |   |   |   |   |   |   |   |    |   |    |    |    |   |    |    |    |    |    |   |    |   |    |    |     |   |     |   |    |   |    |   |    |   |    |    |    |   |          |     |        |   |   |      |   |     |   |    |                   |
| Y          | 黄色   |       |                 |     |                  |    |                  |    |                  |    |                 |    |                 |       |                 |    |                   |       |                  |    |                 |    |                  |    |                 |    |                 |     |                 |     |                 |    |                 |   |   |           |   |          |   |        |   |         |   |   |   |   |   |   |   |    |   |    |    |    |   |    |    |    |    |    |   |    |   |    |    |     |   |     |   |    |   |    |   |    |   |    |    |    |   |          |     |        |   |   |      |   |     |   |    |                   |
| W          | 黄色   |       |                 |     |                  |    |                  |    |                  |    |                 |    |                 |       |                 |    |                   |       |                  |    |                 |    |                  |    |                 |    |                 |     |                 |     |                 |    |                 |   |   |           |   |          |   |        |   |         |   |   |   |   |   |   |   |    |   |    |    |    |   |    |    |    |    |    |   |    |   |    |    |     |   |     |   |    |   |    |   |    |   |    |    |    |   |          |     |        |   |   |      |   |     |   |    |                   |
| M2         | 黄緑色  |       |                 |     |                  |    |                  |    |                  |    |                 |    |                 |       |                 |    |                   |       |                  |    |                 |    |                  |    |                 |    |                 |     |                 |     |                 |    |                 |   |   |           |   |          |   |        |   |         |   |   |   |   |   |   |   |    |   |    |    |    |   |    |    |    |    |    |   |    |   |    |    |     |   |     |   |    |   |    |   |    |   |    |    |    |   |          |     |        |   |   |      |   |     |   |    |                   |
| M          | 黄緑色  |       |                 |     |                  |    |                  |    |                  |    |                 |    |                 |       |                 |    |                   |       |                  |    |                 |    |                  |    |                 |    |                 |     |                 |     |                 |    |                 |   |   |           |   |          |   |        |   |         |   |   |   |   |   |   |   |    |   |    |    |    |   |    |    |    |    |    |   |    |   |    |    |     |   |     |   |    |   |    |   |    |   |    |    |    |   |          |     |        |   |   |      |   |     |   |    |                   |
| F          | 緑色   |       |                 |     |                  |    |                  |    |                  |    |                 |    |                 |       |                 |    |                   |       |                  |    |                 |    |                  |    |                 |    |                 |     |                 |     |                 |    |                 |   |   |           |   |          |   |        |   |         |   |   |   |   |   |   |   |    |   |    |    |    |   |    |    |    |    |    |   |    |   |    |    |     |   |     |   |    |   |    |   |    |   |    |    |    |   |          |     |        |   |   |      |   |     |   |    |                   |
| P          | 緑色   |       |                 |     |                  |    |                  |    |                  |    |                 |    |                 |       |                 |    |                   |       |                  |    |                 |    |                  |    |                 |    |                 |     |                 |     |                 |    |                 |   |   |           |   |          |   |        |   |         |   |   |   |   |   |   |   |    |   |    |    |    |   |    |    |    |    |    |   |    |   |    |    |     |   |     |   |    |   |    |   |    |   |    |    |    |   |          |     |        |   |   |      |   |     |   |    |                   |
| E          | 緑色   |       |                 |     |                  |    |                  |    |                  |    |                 |    |                 |       |                 |    |                   |       |                  |    |                 |    |                  |    |                 |    |                 |     |                 |     |                 |    |                 |   |   |           |   |          |   |        |   |         |   |   |   |   |   |   |   |    |   |    |    |    |   |    |    |    |    |    |   |    |   |    |    |     |   |     |   |    |   |    |   |    |   |    |    |    |   |          |     |        |   |   |      |   |     |   |    |                   |
| B          | 青色   |       |                 |     |                  |    |                  |    |                  |    |                 |    |                 |       |                 |    |                   |       |                  |    |                 |    |                  |    |                 |    |                 |     |                 |     |                 |    |                 |   |   |           |   |          |   |        |   |         |   |   |   |   |   |   |   |    |   |    |    |    |   |    |    |    |    |    |   |    |   |    |    |     |   |     |   |    |   |    |   |    |   |    |    |    |   |          |     |        |   |   |      |   |     |   |    |                   |
| WB         | 白色   |       |                 |     |                  |    |                  |    |                  |    |                 |    |                 |       |                 |    |                   |       |                  |    |                 |    |                  |    |                 |    |                 |     |                 |     |                 |    |                 |   |   |           |   |          |   |        |   |         |   |   |   |   |   |   |   |    |   |    |    |    |   |    |    |    |    |    |   |    |   |    |    |     |   |     |   |    |   |    |   |    |   |    |    |    |   |          |     |        |   |   |      |   |     |   |    |                   |
| T          | フォトランジスタ   |       |                 |     |                  |    |                  |    |                  |    |                 |    |                 |       |                 |    |                   |       |                  |    |                 |    |                  |    |                 |    |                 |     |                 |     |                 |    |                 |   |   |           |   |          |   |        |   |         |   |   |   |   |   |   |   |    |   |    |    |    |   |    |    |    |    |    |   |    |   |    |    |     |   |     |   |    |   |    |   |    |   |    |    |    |   |          |     |        |   |   |      |   |     |   |    |                   |
| RGB        | 赤・緑・青色   |       |                 |     |                  |    |                  |    |                  |    |                 |    |                 |       |                 |    |                   |       |                  |    |                 |    |                  |    |                 |    |                 |     |                 |     |                 |    |                 |   |   |           |   |          |   |        |   |         |   |   |   |   |   |   |   |    |   |    |    |    |   |    |    |    |    |    |   |    |   |    |    |     |   |     |   |    |   |    |   |    |   |    |    |    |   |          |     |        |   |   |      |   |     |   |    |                   |
| T          | 無色透明   |       |                 |     |                  |    |                  |    |                  |    |                 |    |                 |       |                 |    |                   |       |                  |    |                 |    |                  |    |                 |    |                 |     |                 |     |                 |    |                 |   |   |           |   |          |   |        |   |         |   |   |   |   |   |   |   |    |   |    |    |    |   |    |    |    |    |    |   |    |   |    |    |     |   |     |   |    |   |    |   |    |   |    |    |    |   |          |     |        |   |   |      |   |     |   |    |                   |
| W          | 乳白色  |       |                 |     |                  |    |                  |    |                  |    |                 |    |                 |       |                 |    |                   |       |                  |    |                 |    |                  |    |                 |    |                 |     |                 |     |                 |    |                 |   |   |           |   |          |   |        |   |         |   |   |   |   |   |   |   |    |   |    |    |    |   |    |    |    |    |    |   |    |   |    |    |     |   |     |   |    |   |    |   |    |   |    |    |    |   |          |     |        |   |   |      |   |     |   |    |                   |
| B          | 黒色   |       |                 |     |                  |    |                  |    |                  |    |                 |    |                 |       |                 |    |                   |       |                  |    |                 |    |                  |    |                 |    |                 |     |                 |     |                 |    |                 |   |   |           |   |          |   |        |   |         |   |   |   |   |   |   |   |    |   |    |    |    |   |    |    |    |    |    |   |    |   |    |    |     |   |     |   |    |   |    |   |    |   |    |    |    |   |          |     |        |   |   |      |   |     |   |    |                   |
| SCM チップLED | O1 3.0x1.5 t=2.2mm   |       |                 |     |                  |    |                  |    |                  |    |                 |    |                 |       |                 |    |                   |       |                  |    |                 |    |                  |    |                 |    |                 |     |                 |     |                 |    |                 |   |   |           |   |          |   |        |   |         |   |   |   |   |   |   |   |    |   |    |    |    |   |    |    |    |    |    |   |    |   |    |    |     |   |     |   |    |   |    |   |    |   |    |    |    |   |          |     |        |   |   |      |   |     |   |    |                   |

\*光度分類記号について  
 ・光度分類は上記ランク表をご確認下さい。  
 ・1ランクにつき、1形名体系となります。  
 ・サンプル出荷等で出荷された形名については、代表形名表示となります。一般にはフリーランクとなります。ランク指定ご希望の場合は、営業へお問合せ下さい。

■梱包仕様

IPC/JEDEC J-STD-033規格に準拠した梱包となります。

## ■製品取り扱い注意事項(面実装品)

### 1. 保管

本製品は吸湿状態でリフロー加熱された場合、気化膨張により信頼性に多大な影響を及ぼすため、防湿対策を施した包装を行っております。ご使用時には下記条件をお確かめ下さい。

・ご使用条件

| 区分   | 温度    | 湿度       | 使用期限        | 備考                                       |
|------|-------|----------|-------------|--|
| ①開封前 | 5～30℃ | 30～70%RH | 納入後<br>1年以内 | 防湿梱包未開封状態で保管してください。                      |
| ②開封後 | 5～30℃ | 70%RH以下  | 168h以内      | 弊社納入の防湿梱包に乾燥剤(シリカゲル)を同封し、密閉容器内で保管してください。 |

・脱湿処理(ベーキング)

下記条件に該当した場合、脱湿処理(ベーキング)を実施してください。

①使用期限を超過した場合

②湿度インジケータカードの5%、10%の表示が緑色でない場合

(使用期限内であっても実施してください。)

・脱湿条件

| 温度    | 時間  | 湿度      |
|-------|---|---------|
| 60±3℃ | 12～24h  | 20%RH以下 |
| 備考    | <ul style="list-style-type: none"> <li>・リール状態での実施を想定しています。</li> <li>・脱湿処理中はリール、エンボステーブが変形しやすくなるため、応力が加わらないようにご注意ください。</li> <li>・脱湿処理は1回までを推奨いたします。</li> </ul> |         |

### 2. 使用方法

#### 2-1. 駆動方式と非点灯時の注意点

本製品に印加される電氣的負荷は絶対最大定格を超えないように回路設計を行ってください。

また、定電圧駆動の場合は、光度がばらつく可能性があるため、定電流駆動を推奨いたします。

(VF値のばらつきによりLEDに流れる電流がばらつくため。)

なお、非点灯時には順逆方向とも電圧がかからないようにしてください。

特にダイボンディング材にAgペーストを使用している製品につきましては、マイグレーションによる機能障害の恐れがあるため、ご注意ください。

#### 2-2. デイレーティングについて

ディレーティング特性はLED素子が電氣的に破壊に至らない観点から決められた特性であり、ディレーティング内であっても使用条件・周辺環境によっては、信頼性・光度寿命に影響を及ぼすことがありますので、貴社アプリケーションにてご確認をお願いします。

#### 2-3. 製品寿命について

ご使用条件や環境(印加電流、周辺温湿度、腐食性ガス)によっては、仕様書条件内であっても光度低下・色度変化等が発生する可能性があります。

下記に該当するアプリケーションにご使用の場合は、弊社営業窓口にお問い合わせください。

①長期間の光度寿命を要する

②常時点灯

#### 2-4. 製品への機械的ストレス印加について

本製品の封止樹脂にはフィラー(樹脂強化剤)が含まれておらず、過度の圧力や衝撃印加はLED破損に至り信頼性に影響を及ぼす恐れがあるため、ご注意ください。

#### 2-5. ご使用用途について

保護素子、整流、スイッチングなどダイオードとしてのご使用については保証致しません。

### 3. その他

#### 3-1. 環境ガスによる影響

塩素、硫黄などの酸性ガス、アンモニアなどのアルカリ性ガス等の環境ガス雰囲気での保管・ご使用になられた場合は、めっき表面の変質などによるはんだ付け性低下や光度、色度など光学特性の変化及びダイボンディング材(Agペースト)変質による機能障害を引き起こすことがあります。保管並びに実装後の雰囲気に関しては、使用大気環境に加え製品周辺部材からの発生ガスについても十分ご注意ください。

#### 3-2. 静電気破壊について

当該品は半導体部品であり、静電気による特性劣化の可能性が懸念されます。生産設備のアース設置や人体からの静電気印加対策を十分実施いただけますよう、お願いいたします。

特にInGaN系材料を使用したLED素子は比較的静電気破壊耐量が低い製品となるため、保護回路の導入を推奨いたします。なお、静電気破壊耐量（実力値）につきましては個別製品で異なるため、別途、弊社営業窓口にお問い合わせ下さい。

#### 3-3. 電磁波の影響について

IH調理器など強電磁波が発生するアプリケーションではLEDの信頼性に悪影響を及ぼす可能性があるため十分確認の上、ご使用ください。

#### 4. 実装について

##### 4-1. はんだ付け

- ・本製品の封止樹脂には、フィラーなどの樹脂強化剤を充填していないため、封止樹脂の熱膨張及び吸湿量が大きく、はんだ付け時の熱ストレスにより信頼性に多大な影響を与えます。
- ・本製品を直接フローはんだ付けすることは保証しておりません。
- ・周辺部品をフローはんだ付けされる場合についても熱ストレスによる不具合が懸念されるため十分な評価のうえご使用ください。また、開封後の使用期限内にフローはんだ付けを完了下さい。
- ・リフロー温度条件を設定される際は、本製品を基準に決めて戴きますようお願いいたします。
- ・リフロー回数は最大2回までとし、防湿梱包開封後の使用期限内に2回目のリフローはんだ付け及び周辺部品のフローはんだ付けを終えて戴きますようお願いいたします。
- ・大気リフローの場合、窒素リフローと比較しリフロー時の熱や環境条件により樹脂部変色による光学特性の変動を起こす可能性があるため、十分評価のうえご使用ください。
- ・ソルダーレジストが無い弊社製品につきましては、はんだ量やはんだ付け条件により、はんだがLED内部へ侵入することで特性・信頼性に影響を及ぼす可能性がございます。十分な評価のうえ、ご使用ください。

##### 4-2. 自動実装

###### 4-2-1. 実装用吸着ノズル

LED製品の吸着部周辺の材質や形状に応じて、最適な吸着ノズルを選定ください。  
過度の負荷がかかることにより製品内部にダメージが生じる場合があります。

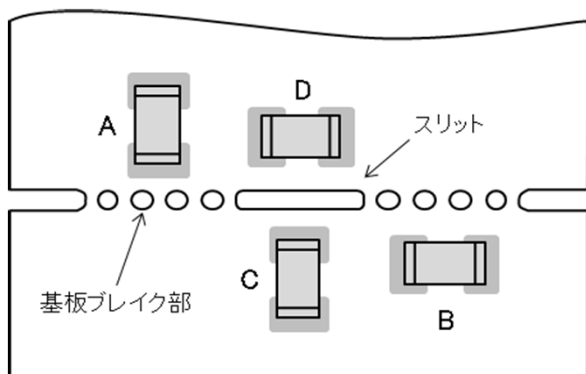
###### 4-2-2. 小型パッケージ品(1608サイズ以下)

振動による製品帯電により、トップカバーテープへの製品付着が生じ、実装率低下が懸念されるため、

- ・実装機パーツフィーダーカセットへの磁石設置による製品安定化を実施下さい。
- ・イオナイザー設置による帯電防止実施を推奨いたします。

##### 4-3. 実装位置について

基板実装後に基板分割などの曲げストレスが加わると、パッケージクラックや内部接合部の破壊に至る可能性があるため、基板のたわみやねじれに対して極力ストレスが加わらない実装方向に配慮下さい。



実装位置によるストレスの大きさ  
A > B > C > D

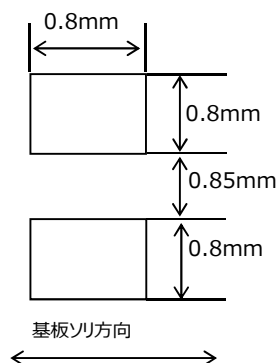
##### 4-4. 実装後機械的応力について

基板実装後のLEDは機械的応力で破損する恐れがありますので、製品への接触にはご注意ください。

##### 4-5. 推奨はんだ付けパターン

はんだ付けパターンは右図を推奨いたします。しかしながら、実装基板の状態により異なりますので基板設計前に十分ご検討下さいようお願いいたします。

- ※本製品は、製品裏面電極にてはんだ付けを行う電極構造を採用しており、はんだフィレット形成を保証した電極端子形状ではありませんのでご注意ください。
- 電極端面にスルーホールがありますが表裏面電極の導通を目的としており、はんだフィレット形成を目的としたものではありません。



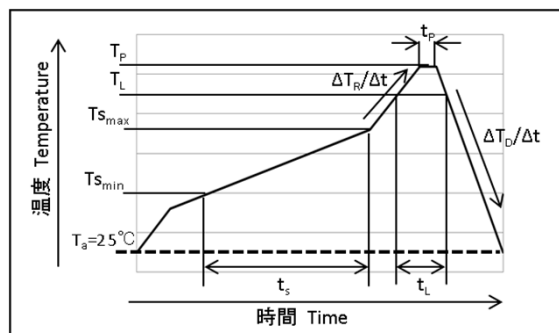


4-6. リフロープロフィール

リフロープロフィールは、下記条件を参考にしてください。(※)

■記号の意味・条件

| 記号                    | 説明                                   | 条件        |
|-----------------------|--------------------------------------|-----------|
| $T_{s_{max}}$         | プレヒート温度上限                            | 180℃      |
| $T_{s_{min}}$         | プレヒート温度下限                            | 140℃      |
| $t_s$                 | $T_{s_{min}}$ から $T_{s_{max}}$ までの時間 | 60秒以上     |
| $T_L$                 | 基準温度                                 | 230~260℃  |
| $t_L$                 | 基準温度保持時間                             | 40秒以内     |
| $T_p$                 | ピーク温度                                | 260℃(Max) |
| $t_p$                 | ピーク温度時間                              | 10秒以内     |
| $\Delta T_R/\Delta t$ | 温度上昇レート                              | 3℃/秒以下    |
| $\Delta T_D/\Delta t$ | 温度下降レート                              | -3℃/秒以内   |



※本条件は参考値です。ご使用の際には、実装基板からの応力及びリフロー炉の温度バラツキを考慮し、それぞれ実使用基板及び、実機での評価をお願いいたします。

4-7. 手はんだ作業について

本製品は、基本的にリフローはんだ付による表面実装型のLEDとして開発された製品です。はんだ付作業に関しましては、リフローはんだを推奨致します。やむをえず手はんだ作業を行う場合には下記の事項についてご注意下さいませようお願い致します。

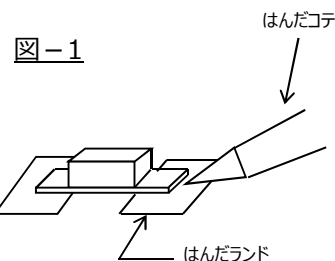
①使用はんだ

Sn-Cu, Sn-Ag-Cu, Sn-Ag-Bi-Cu

②手はんだ付条件

LED製品は、フィラー等の樹脂強化材を充填しておりません。この為、はんだ付の際の熱ストレスにより信頼性に多大な影響を与えます。手はんだの際には下記の条件を厳守して頂きますようお願い致します。

|    | 項目           | 推奨条件   |
|----|--------------|--|
| a) | 加熱方法         | 条件) コテ先温度 400℃以下, 3秒以内<br>加熱場所は基板パターンを加熱し、製品にはコテ先を接触させないで下さい。(図-1参照) |
| b) | はんだ付後の製品取り扱い | はんだ付後、製品が常温に戻ってから行って下さい。   |



4-8. はんだ付け後洗浄

はんだ付け後洗浄が必要な場合は、次の条件で行ってください。

|       |                              |
|-------|------------------------------|
| 洗浄液   | イソプロピルアルコール等アルコール系溶剤をお勧めします。 |
| 温度    | 30℃以下、3分以内                   |
| 超音波洗浄 | 15W/槽容積1リットル以下               |
| 乾燥    | 100℃以下、3分以内                  |

## ご 注 意

- 1) 本資料の記載内容は改良などのため予告なく変更することがあります。
- 2) 本資料に記載されている内容は製品のご紹介資料です。ご使用に際しては、別途最新の仕様書を必ずご請求のうえ、ご確認ください。
- 3) ロームは常に品質・信頼性の向上に取り組んでおりますが、半導体製品は種々の要因で故障・誤作動する可能性があります。  
万が一、本製品が故障・誤作動した場合であっても、その影響により人身事故、火災損害等が起こらないようご使用機器でのディレーティング、冗長設計、延焼防止、バックアップ、フェイルセーフ等の安全確保をお願いします。定格を超えたご使用や使用上の注意書が守られていない場合、いかなる責任もロームは負うものではありません。
- 4) 本資料に記載されております応用回路例やその定数などの情報につきましては、本製品の標準的な動作や使い方を説明するものです。  
したがって、量産設計をされる場合には、外部諸条件を考慮していただきますようお願いいたします。
- 5) 本資料に記載されております技術情報は、製品の代表的動作および応用回路例などを示したものであり、ロームまたは他社の知的財産権その他のあらゆる権利について明示的にも黙示的にも、その実施または利用を許諾するものではありません。上記技術情報の使用に起因して紛争が発生した場合、ロームはその責任を負うものではありません。
- 6) 本製品は、一般的な電子機器（AV機器、OA機器、通信機器、家電製品、アミューズメント機器など）および本資料に明示した用途への使用を意図しています。
- 7) 本資料に掲載されております製品は、耐放射線設計はなされておられません。
- 8) 本製品を下記のような特に高い信頼性が要求される機器等に使用される際には、ロームへ必ずご連絡の上、承諾を得てください。  
・輸送機器（車載、船舶、鉄道など）、幹線用通信機器、交通信号機器、防災・防犯装置、安全確保のための装置、医療機器、サーバー、太陽電池、送電システム
- 9) 本製品を極めて高い信頼性を要求される下記のような機器等には、使用しないでください。  
・航空宇宙機器、原子力制御機器、海底中継機器
- 10) 本資料の記載に従わないために生じたいかなる事故、損害もロームはその責任を負うものではありません。
- 11) 本資料に記載されております情報は、正確を期すため慎重に作成したものです。万が一、当該情報の誤り・誤植に起因する損害がお客様に生じた場合においても、ロームはその責任を負うものではありません。
- 12) 本製品のご使用に際しては、RoHS 指令など適用される環境関連法令を遵守の上でご使用ください。お客様がかかる法令を順守しないことにより生じた損害に関して、ロームは一切の責任を負いません。本製品の RoHS 適合性などの詳細につきましては、セールス・オフィスまでお問合せください。
- 13) 本製品および本資料に記載の技術を輸出又は国外へ提供する際には、「外国為替及び外国貿易法」、「米国輸出管理規則」など適用される輸出関連法令を遵守し、それらの定めにしたがって必要な手続を行ってください。
- 14) 本資料の一部または全部をロームの許可なく、転載・複写することを堅くお断りします。



ローム製品のご検討ありがとうございます。  
より詳しい資料やカタログなどご用意しておりますので、お問合せください。

## ROHM Customer Support System

<http://www.rohm.co.jp/contact/>