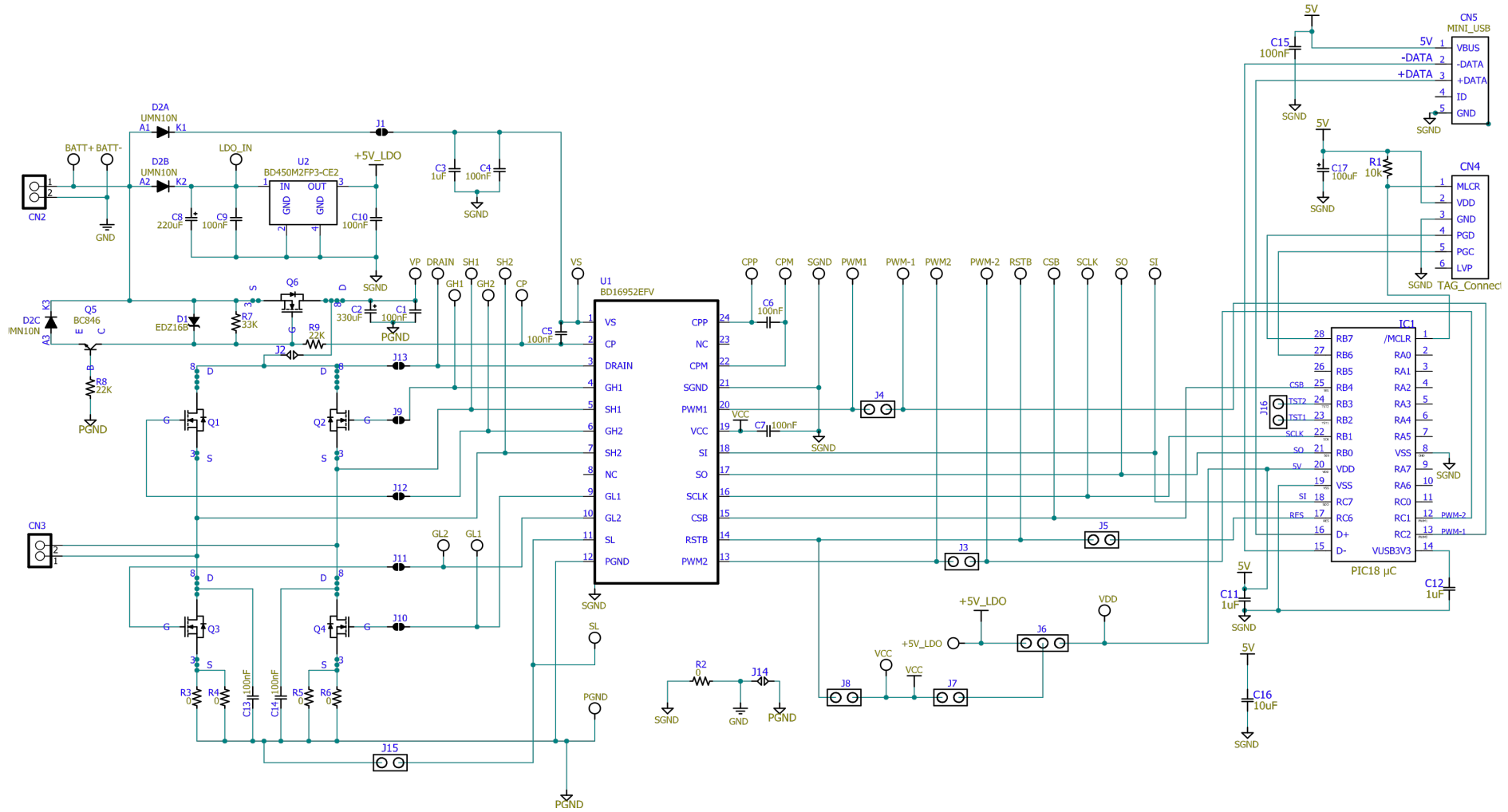


BD16950EF-EVK-001 Schematic



ROHM CO., LTD. AND/OR ITS AFFILIATES DO NOT MAKE ANY EXPRESS AND IMPLIED WARRANTY WITH RESPECT TO THE SPECIFICATIONS AND CONFIGURATIONS DESCRIBED HEREIN, INCLUDING WITHOUT LIMITATION THE ACCURACY, CORRECTNESS, FUNCTIONALITY AND ANY IMPLIED WARRANTY OF MERCHANTABILITY OR FITNESS FOR PARTICULAR PURPOSE.

BD16950EF-EVK-001 Schematic